

# Manual

## Family of Smart Weather Sensors

WS800-UMB

WS700-UMB

WS600-UMB / WS601-UMB

WS501-UMB / WS502-UMB / WS503-UMB / WS504-UMB

WS510-UMB

WS500-UMB

WS400-UMB / WS401-UMB

WS301-UMB / WS302-UMB / WS303-UMB / WS304-UMB

WS310-UMB

WS300-UMB

WS200-UMB



**Instru***Fiber*

**INSTRUMENTAÇÃO E FIBRA ÓPTICA**

**11 4172-0606**

**11 4386-0362**



## Contents

|          |  |           |
|----------|--|-----------|
| <b>1</b> | <b>Please Read Before Use</b> .....            | <b>5</b>  |
| 1.1      | Symbols Used .....                             | 5         |
| 1.2      | Safety Instructions .....                      | 5         |
| 1.3      | Designated Use .....                           | 5         |
| 1.4      | Incorrect Use .....                            | 5         |
| 1.5      | Guarantee.....                                 | 5         |
| 1.6      | Brand Names.....                               | 5         |
| <b>2</b> | <b>Scope of Delivery</b> .....                 | <b>6</b>  |
| <b>3</b> | <b>Order Numbers</b> .....                     | <b>7</b>  |
| 3.1      | Accessories .....                              | 9         |
| 3.2      | Spare Parts.....                               | 9         |
| 3.3      | Additional Documents and Software .....        | 9         |
| <b>4</b> | <b>Equipment Description</b> .....             | <b>10</b> |
| 4.1      | Air Temperature and Humidity .....             | 10        |
| 4.2      | Air Pressure.....                              | 10        |
| 4.3      | Precipitation.....                             | 11        |
| 4.4      | Wet Bulb Temperature.....                      | 11        |
| 4.5      | Specific Enthalpy .....                        | 11        |
| 4.6      | Air Density .....                              | 11        |
| 4.7      | Wind .....                                     | 11        |
| 4.8      | Compass .....                                  | 11        |
| 4.9      | Heating .....                                  | 11        |
| 4.10     | Global Radiation .....                         | 11        |
| 4.11     | Leaf Wetness.....                              | 11        |
| 4.12     | External Temperature Sensor.....               | 11        |
| 4.13     | External Rain Gauge .....                      | 11        |
| 4.14     | Sensor Technology (example: WS600-UMB) .....   | 12        |
| <b>5</b> | <b>Generation of Measurements</b> .....        | <b>13</b> |
| 5.1      | Current Measurement (act).....                 | 13        |
| 5.2      | Minimum and Maximum Values (min and max) ..... | 13        |
| 5.3      | Average Value (avg).....                       | 13        |
| 5.4      | Vectorial Average Value (vct) .....            | 13        |
| <b>6</b> | <b>Measurement Output</b> .....                | <b>14</b> |
| 6.1      | Air and Dewpoint Temperature .....             | 14        |
| 6.2      | Wind Chill Temperature .....                   | 14        |
| 6.3      | Humidity.....                                  | 14        |
| 6.4      | Air Pressure.....                              | 14        |
| 6.5      | Wet Bulb Temperature.....                      | 15        |
| 6.6      | Specific Enthalpy .....                        | 15        |
| 6.7      | Air Density .....                              | 15        |
| 6.8      | Wind Speed.....                                | 16        |
| 6.9      | Wind Direction .....                           | 16        |
| 6.10     | Wind Measurement Quality .....                 | 17        |
| 6.11     | Compass .....                                  | 17        |
| 6.12     | Precipitation Quantity - Absolute .....        | 18        |
| 6.13     | Precipitation Quantity - Differential .....    | 18        |
| 6.14     | Precipitation Intensity.....                   | 18        |
| 6.15     | Precipitation Type.....                        | 19        |
| 6.16     | Heating Temperature.....                       | 19        |
| 6.17     | Global Radiation .....                         | 19        |
| 6.18     | Leaf Wetness.....                              | 20        |
| 6.19     | Service Messages .....                         | 20        |

|           |  |            |
|-----------|--|------------|
| <b>7</b>  | <b>Installation .....</b>  | <b>21</b>  |
| 7.1       | Fastening .....  | 21         |
| 7.2       | North Alignment .....  | 22         |
| 7.3       | Selecting the Installation Location.....                           | 23         |
| <b>8</b>  | <b>Connections.....</b>  | <b>25</b>  |
| 8.1       | Supply Voltage.....  | 25         |
| 8.2       | RS485 Interface.....   | 26         |
| 8.3       | Connection to ISOCON-UMB (8160.UISO) .....                         | 27         |
| 8.4       | Use of Surge Protection (8379.USP) .....                           | 27         |
| 8.5       | Connection of the Leaf Wetness Sensor.....                         | 27         |
| 8.6       | Connection of External Temperature and Precipitation Sensors ..... | 27         |
| <b>9</b>  | <b>Commissioning .....</b>   | <b>28</b>  |
| <b>10</b> | <b>Configuration and Test.....</b>                                 | <b>29</b>  |
| 10.1      | Factory Settings.....  | 29         |
| 10.2      | Configuration with the UMB-Config-Tool.....                        | 29         |
| 10.3      | Function Test with UMB-Config-Tool .....                           | 35         |
| 10.4      | Operating Modes of the Smart Weather Sensor .....                  | 36         |
| 10.5      | Operating Modes for Equipment Heating.....                         | 38         |
| <b>11</b> | <b>Firmware Update .....</b>                                       | <b>40</b>  |
| <b>12</b> | <b>Maintenance.....</b>  | <b>40</b>  |
| 12.1      | Maintenance of the Rain Gauge .....                                | 41         |
| <b>13</b> | <b>Technical Data .....</b>  | <b>42</b>  |
| 13.1      | Measuring Range / Accuracy .....                                   | 44         |
| 13.2      | Drawings.....  | 47         |
| <b>14</b> | <b>EC Certificate of Conformity .....</b>                          | <b>58</b>  |
| <b>15</b> | <b>Fault Description .....</b>                                     | <b>59</b>  |
| <b>16</b> | <b>Disposal .....</b>  | <b>60</b>  |
| 16.1      | Within the EC.....   | 60         |
| 16.2      | Outside the EC .....   | 60         |
| <b>17</b> | <b>Repair / Corrective Maintenance.....</b>                        | <b>60</b>  |
| 17.1      | Technical Support.....   | 60         |
| <b>18</b> | <b>External Sensors .....</b>                                      | <b>61</b>  |
| 18.1      | Leaf Wetness Sensor WLW100.....                                    | 61         |
| 18.2      | External Temperature and Precipitation Sensors .....               | 63         |
| <b>19</b> | <b>Appendix .....</b>  | <b>65</b>  |
| 19.1      | Channel List Summary.....  | 65         |
| 19.2      | Channel List Summary per TLS2002 FG3 .....                         | 67         |
| 19.3      | Communication in Binary Protocol .....                             | 68         |
| 19.4      | Communication in ASCII Protocol.....                               | 71         |
| 19.5      | Communication in Terminal Mode .....                               | 74         |
| 19.6      | Communication in SDI-12 Mode .....                                 | 77         |
| 19.7      | Communication in Modbus Mode.....                                  | 118        |
| 19.8      | Communication: XDR Protocol .....                                  | 127        |
| <b>20</b> | <b>List of Figures.....</b>  | <b>139</b> |
| <b>21</b> | <b>Index.....</b>  | <b>140</b> |

## 1 Please Read Before Use

This manual is valid for devices of the Lufft WS family with device version 31 or higher(7/2012).Some functions or features specified in this manual may not be available or may not be valid with older device versions. The device version is indicated as the last number of the serial number, e.g.: the device with SN: 063.1010.0701.021 has the device version 21.

If you are using an older device of the WS family, please refer to the manual for device versions prior to 30 ([www.lufft.com/en/support/downloads](http://www.lufft.com/en/support/downloads)).

### 1.1 Symbols Used



Important information concerning potential hazards to the user



Important information concerning the correct operation of the equipment

### 1.2 Safety Instructions



- Installation and commissioning must be carried out by suitably qualified specialist personnel only.
- Never take measurements on or touch live electrical parts.
- Pay attention to the technical data and storage and operating conditions.

### 1.3 Designated Use



- The equipment must only be operated within the range of the specified technical data.
- The equipment must only be used under the conditions and for the purposes for which it was designed.
- The safety and operation of the equipment can no longer be guaranteed if it is modified or adapted.

### 1.4 Incorrect Use

If the equipment is installed incorrectly



- It may not function.
- It may be permanently damaged.
- Danger of injury may exist if the equipment is allowed to fall.

If the equipment is not connected correctly



- It may not function.
- It may be permanently damaged.
- The possibility of an electrical shock may exist.

### 1.5 Guarantee

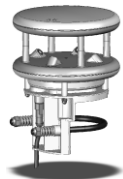
The guarantee period is 12 months from the date of delivery. The guarantee is forfeited if the designated use is violated.

### 1.6 Brand Names

All brand names referred to are subject without limitation to the valid trademark and ownership rights of the respective owner.

## 2 Scope of Delivery

- Equipment



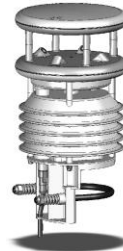
WS200-UMB



WS300-UMB



WS400-UMB



WS500-UMB



WS600-UMB



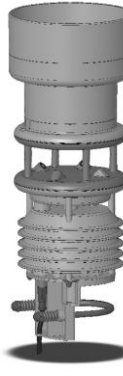
WS301-UMB



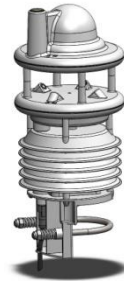
WS501-UMB



WS401-UMB



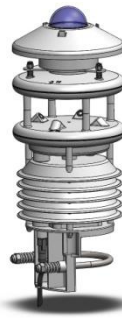
WS601-UMB



WS700-UMB



WS310-UMB



WS510-UMB

- Connection cable 10m



- Operating manual

### 3 Order Numbers

**WS200-UMB** 8371.U01

- Wind Direction
- Wind Speed
- Compass

**WS300-UMB** 8372.U01

- Air Temperature
- Relative Humidity
- Air Pressure

**WS301-UMB** 8374.U01**WS302-UMB** 8374.U10**WS303-UMB** 8374.U11**WS304-UMB** 8374.U12**WS310-UMB** 8374.U13

- Air Temperature
- Relative Humidity
- Air Pressure
- Global Radiation

**WS400-UMB** 8369.U01 (Europe, USA, Canada)

## 8369.U02 (UK)

- Precipitation Radar
- Air Temperature
- Relative Humidity
- Air Pressure

**WS401-UMB** 8377.U01

- Precipitation Rain Gauge
- Air Temperature
- Relative Humidity
- Air Pressure

**WS500-UMB** 8373.U01

- Wind Direction
- Wind Speed
- Air Temperature
- Relative Humidity
- Air Pressure
- Compass

|                  |                 |
|------------------|-----------------|
| <b>WS501-UMB</b> | <b>8375.U01</b> |
| <b>WS502-UMB</b> | <b>8375.U10</b> |
| <b>WS503-UMB</b> | <b>8375.U11</b> |
| <b>WS504-UMB</b> | <b>8375.U12</b> |
| <b>WS510-UMB</b> | <b>8375.U13</b> |

- Wind Direction
- Wind Speed
- Air Temperature
- Relative Humidity
- Air Pressure
- Compass
- Global Radiation

|                  |                                       |
|------------------|---------------------------------------|
| <b>WS600-UMB</b> | <b>8370.U01</b> (Europe, USA, Canada) |
|                  | <b>8370.U02</b> (UK)                  |

- Precipitation Radar
- Wind Direction
- Wind Speed
- Air Temperature
- Relative Humidity
- Air Pressure
- Compass

|                  |                 |
|------------------|-----------------|
| <b>WS601-UMB</b> | <b>8376.U01</b> |
|------------------|-----------------|

- Precipitation Rain Gauge
- Wind Direction
- Wind Speed
- Air Temperature
- Relative Humidity
- Air Pressure
- Compass

|                  |                                       |
|------------------|---------------------------------------|
| <b>WS700-UMB</b> | <b>8380.U01</b> (Europe, USA, Canada) |
|------------------|---------------------------------------|

- Precipitation Radar
- Wind Direction
- Wind Speed
- Air Temperature
- Relative Humidity
- Air Pressure
- Compass
- Global Radiation



### 3.1 Accessories

|   |           |
|---|-----------|
| Power supply unit 24V/100VA                               | 8366.USV1 |
| ISOCON-UMB  | 8160.UISO |
| Surge protection  | 8379.USP  |
| Leaf Wetness Sensor WLW100<br>(WS401-UMB, WS601-UMB only) | 8358.10   |
| External Rain Gauge WTB100                                | 8353.10   |
| External Temperature Sensors                              |           |
| Temperature Sensor WT1                                    | 8160.WT1  |
| Passive Road Surface Temperature Sensor WST1              | 8160.WST1 |

### 3.2 Spare Parts

Connection cable 10m      On enquiry

### 3.3 Additional Documents and Software

You can download the following documents and software via the Internet at [www.lufft.com](http://www.lufft.com).

|                  |  |
|------------------|--|
| Operating Manual | <ul style="list-style-type: none"><li>• This document</li></ul>  |
| UMB-Config-Tool  | <ul style="list-style-type: none"><li>• Windows® software for testing, firmware updates and configuration of UMB devices</li></ul> |
| UMB Protocol     | <ul style="list-style-type: none"><li>• Communications protocol for UMB devices</li></ul>  |
| Firmware         | <ul style="list-style-type: none"><li>• The current device firmware</li></ul>  |

## 4 Equipment Description

The WS family is a range of low cost smart combination of weather sensors for the acquisition of a variety of measurement variables, as used for example for environmental data logging in road traffic management systems. Depending on the model, each device has a different combination of sensors for the various measurement variables.

|                           | WS200-UMB | WS300-UMB | WS301-UMB** | WS400-UMB | WS401-UMB | WS500-UMB | WS501-UMB*** | WS600-UMB | WS601-UMB | WS700-UMB |
|---------------------------|-----------|-----------|-------------|-----------|-----------|-----------|--------------|-----------|-----------|-----------|
| <b>Air temperature</b>    |           | •         | •           | •         | •         | •         | •            | •         | •         | •         |
| <b>Humidity</b>           |           | •         | •           | •         | •         | •         | •            | •         | •         | •         |
| <b>Air pressure</b>       |           | •         | •           | •         | •         | •         | •            | •         | •         | •         |
| <b>Precipitation</b>      |           |           |             | •         | •*        |           |              | •         | •*        | •         |
| <b>Wind direction</b>     | •         |           |             |           |           | •         | •            | •         | •         | •         |
| <b>Wind speed</b>         | •         |           |             |           |           | •         | •            | •         | •         | •         |
| <b>Compass</b>            | •         |           |             |           |           | •         | •            | •         | •         | •         |
| <b>Global Radiation</b>   |           |           | •           |           |           |           | •            |           |           | •         |
| <b>Leaf Wetness (ext)</b> |           |           |             |           | •         |           |              |           | •         |           |
| <b>Temperature (ext)</b>  | •         | •         | •           | •         | •         | •         | •            | •         | •         | •         |
| <b>Rain Gauge (ext)</b>   | •         | •         | •           |           |           | •         | •            |           |           |           |
| <b>Power Save 2</b>       | •         | •         | •           |           | •         | •         | •            |           | •         |           |

\*) WS401-UMB and WS601-UMB use a rain gauge for precipitation measurement

\*\*\*) is also valid for WS302-UMB, WS303-UMB, WS304-UMB, WS310-UMB

\*\*\*) is also valid for WS502-UMB, WS503-UMB, WS504-UMB, WS510-UMB

Sensors marked (ext) in the table are additional accessories and not included with the device. The table shows which external sensors can be connected to the different models.

**Note:** The external temperature sensor and the external rain gauge use the same input, so only one of them can be connected simultaneously.

**Attention:** Please note that, due to the approval of the radar sensor used, there are different country options on equipment which includes precipitation measurement by radar technology.



The equipment is connected by way of an 8 pole screw connector and associated connection cable (length 10m).

The measured values are requested over the RS485 interface in accordance with UMB protocol.

During commissioning, configuration and measurement polling takes place using the UMB-Config-Tool (Windows® PC software).

### 4.1 Air Temperature and Humidity

Temperature is measured by way of a highly accurate NTC-resistor while humidity is measured using a capacitive humidity sensor. In order to keep the effects of external influences (e.g. solar radiation) as low as possible, these sensors are located in a ventilated housing with radiation protection. In contrast to conventional non-ventilated sensors, this allows significantly more accurate measurement during high radiation conditions.

Additional variables such as dewpoint, absolute humidity and mixing ratio are calculated from air temperature and relative humidity, taking account of air pressure.

### 4.2 Air Pressure

Absolute air pressure is measured by way of a built-in sensor (MEMS). The relative air pressure referenced to sea level is calculated using the barometric formula with the aid of the local altitude, which is user-configurable on the equipment.

### 4.3 Precipitation

Tried and tested radar technology from the R2S-UMB sensor is used to measure precipitation. The precipitation sensor works with a 24GHz Doppler radar, which measures the drop speed and calculates precipitation quantity and type by correlating drop size and speed.

WS401-UMB and WS601-UMB are using an unheated rain gauge for precipitation measurement. This version can be recommended for low power application etc.

### 4.4 Wet Bulb Temperature

The wet bulb temperature is the temperature of a moist or icy surface exposed to air flow.

### 4.5 Specific Enthalpy

Parameter of state of the humid air, composed of the specific enthalpies (heat capacity) of the components of the mixture and related to the mass fraction of the dry air (at 0°C).

### 4.6 Air Density

The air density indicates how much mass in a given volume of air is contained and it is calculated from the measured values of air temperature, humidity and air pressure.

### 4.7 Wind

The wind meter uses 4 ultrasonic sensors which take cyclical measurements in all directions. The resulting wind speed and direction are calculated from the measured run-time sound differential. The sensor delivers a quality output signal indicating how many good readings were taken during the measurement interval.

### 4.8 Compass

The integrated electronic compass can be used to check the north – south adjustment of the sensor housing for wind direction measurement. It is also used to calculate the compass corrected wind direction.

### 4.9 Heating

The precipitation sensor and wind meter are heated for operation in winter.

### 4.10 Global Radiation

The global radiation is measured by a pyranometer mounted in the top cover of the Smart Weather Sensor.

### 4.11 Leaf Wetness

WS401-UMB and WS601-UMB can be equipped with an external sensor for leaf wetness evaluation.

### 4.12 External Temperature Sensor

Optionally all models may be equipped with an external NTC temperature sensor for the acquisition from additional measurement points. The type of NTC is the same as used for the internal air temperature sensor.

External temperature sensor and external rain gauge can **not** be connected at the same time.

### 4.13 External Rain Gauge

Models without integrated precipitation acquisition can be equipped with an external rain gauge.

External rain gauge and external temperature sensor can **not** be connected at the same time.

4.14 Sensor Technology (example: WS600-UMB)

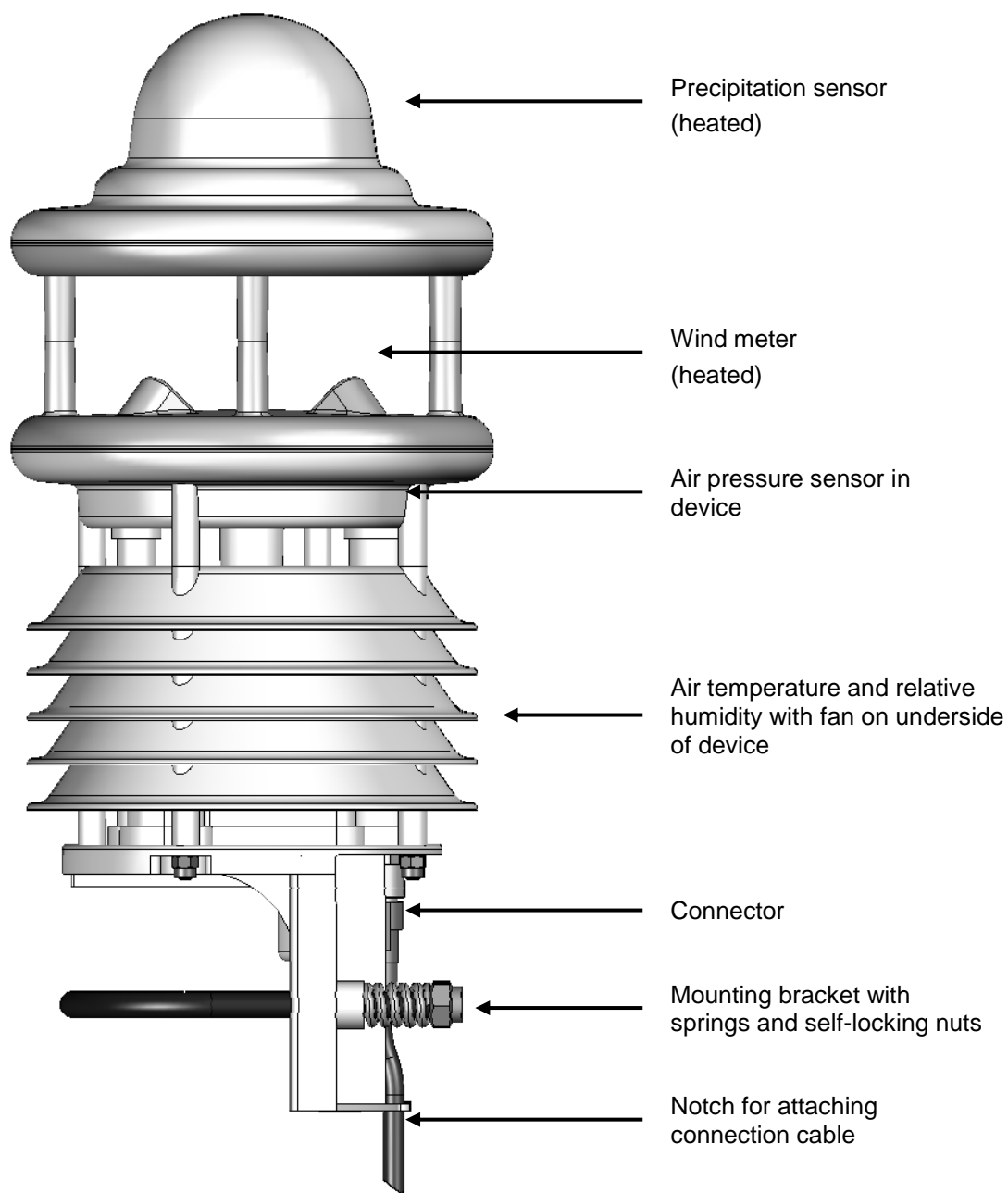


Figure 1: Sensor Technology

## 5 Generation of Measurements

### 5.1 Current Measurement (act)

In accordance with the specified sampling rate, the value of the last measurement is transmitted when the current measurement value is requested. Each measurement is stored in a circular buffer for the subsequent calculation of minimum, maximum and average values.

### 5.2 Minimum and Maximum Values (min and max)

When requesting the minimum and maximum values, the corresponding value is calculated - via the circular buffer at the interval (1 – 10 minutes) specified in the configuration - and transmitted.



**Note:** In the case of wind direction, the minimum / maximum value indicates the direction at which the minimum / maximum wind speed was measured.

### 5.3 Average Value (avg)

When requesting the average value, this is calculated - via the circular buffer at the interval (1 – 10 minutes) specified in the configuration - and transmitted. In this way moving averages can also be calculated.

For some values the standard deviation is calculated for the same interval. The calculation of standard deviation will only be activated after the related UMB channel has been requested for the first time.

### 5.4 Vectorial Average Value (vct)

In the specific case of wind measurement, measurements are calculated vectorially. To this end, the average values of the vectors are generated internally. Hence the value (wind speed) and angle (wind direction) of the vector are calculated.



**Note:** On delivery, the interval for the calculation of minimum, maximum and average values is set at 10 minutes. If necessary, this can be adjusted to the particular requirements (1 – 10 minutes) with the aid of the UMB-Config-Tool (see page 29).



**Note:** The evaluation of the standard deviation values is deactivated after power on of the device. The function will be activated with the first request to any of the standard deviation channels.

To get standard deviation values of the first integration period after power on a dummy request to any one of the standard deviation channels should be inserted.

## 6 Measurement Output

Measurements are transmitted in accordance with UMB binary protocol (Factory Settings). You can find an example of a measurement request in different protocols and a complete summary of the list of channels in the Appendix.

### 6.1 Air and Dewpoint Temperature

Sampling rate 1 minute  
 Generation of average value 1 – 10 minutes  
 Units °C; °F

Request channels:

| UMB Channel |     |     |     | Measurement Variable (float32) | Measuring Range |       |      |
|-------------|-----|-----|-----|--------------------------------|-----------------|-------|------|
| act         | min | max | avg |                                | min             | max   | unit |
| 100         | 120 | 140 | 160 | Air temperature                | -50.0           | 60.0  | °C   |
| 105         | 125 | 145 | 165 | Air temperature                | -58.0           | 140.0 | °F   |
| 110         | 130 | 150 | 170 | Dewpoint temperature           | -50.0           | 60.0  | °C   |
| 115         | 135 | 155 | 175 | Dewpoint temperature           | -58.0           | 140.0 | °F   |
| 101         |     |     |     | External Temperature Sensor    | -40.0           | 80.0  | °C   |
| 106         |     |     |     | External Temperature Sensor    | -40.0           | 176.0 | °F   |

### 6.2 Wind Chill Temperature

Sampling rate 1 minute, computed on base of the average temperature and average wind speed  
 Units °C; °F

Request channels:

| UMB Channel |     |     |     | Measurement Variable (float32) | Measuring Range |       |      |
|-------------|-----|-----|-----|--------------------------------|-----------------|-------|------|
| act         | min | max | avg |                                | min             | max   | unit |
| 111         |     |     |     | Wind chill temperature         | -60.0           | 70.0  | °C   |
| 116         |     |     |     | Wind chill temperature         | -76.0           | 158.0 | °F   |

### 6.3 Humidity

Sampling rate 1 minute  
 Generation of average value 1 – 10 minutes  
 Units %RH; g/m<sup>3</sup>; g/kg

Request channels:

| UMB Channel |     |     |     | Measurement Variable (float32) | Measuring Range |        |                  |
|-------------|-----|-----|-----|--------------------------------|-----------------|--------|------------------|
| act         | min | max | avg |                                | min             | max    | unit             |
| 200         | 220 | 240 | 260 | Relative humidity              | 0.0             | 100.0  | %                |
| 205         | 225 | 245 | 265 | Absolute humidity              | 0.0             | 1000.0 | g/m <sup>3</sup> |
| 210         | 230 | 250 | 270 | Mixing ratio                   | 0.0             | 1000.0 | g/kg             |

### 6.4 Air Pressure

Sampling rate 1 minute  
 Generation of average value 1 – 10 minutes  
 Unit hPa

Request channels:

| UMB Channel |     |     |     | Measurement Variable (float32) | Measuring Range |      |      |
|-------------|-----|-----|-----|--------------------------------|-----------------|------|------|
| act         | min | max | avg |                                | min             | max  | unit |
| 300         | 320 | 340 | 360 | Absolute air pressure          | 300             | 1200 | hPa  |
| 305         | 325 | 345 | 365 | Relative air pressure          | 300             | 1200 | hPa  |



**Note:** For the correct calculation of relative air pressure, the altitude of the sensor must be entered in the device configuration (see Figure 11 on page 31). The factory setting for altitude is 0m; in this way both measurement variables deliver the same values.

### 6.5 Wet Bulb Temperature

Sampling rate 1 minute

Units °C; °F

Request channels:

| UMB Channel |  |  |  | Measuring Range                |       |       |      |
|-------------|--|--|--|--------------------------------|-------|-------|------|
| act         |  |  |  | Measurement Variable (float32) | min   | max   | unit |
| 114         |  |  |  | Wet Bulb Temperature           | -50.0 | 60.0  | °C   |
| 119         |  |  |  | Wet Bulb Temperature           | -58.0 | 140.0 | °F   |

### 6.6 Specific Enthalpy

Sampling rate 1 minute

Unit kJ/kg

Request channels:

| UMB Channel |  |  |  | Measuring Range                |        |        |       |
|-------------|--|--|--|--------------------------------|--------|--------|-------|
| act         |  |  |  | Measurement Variable (float32) | min    | max    | unit  |
| 215         |  |  |  | Specific Enthalpy              | -100.0 | 1000.0 | kJ/kg |

### 6.7 Air Density

Sampling rate 1 minute

Unit kg/m<sup>3</sup>

Request channels:

| UMB Channel |  |  |  | Measuring Range                |     |     |                   |
|-------------|--|--|--|--------------------------------|-----|-----|-------------------|
| act         |  |  |  | Measurement Variable (float32) | min | max | unit              |
| 310         |  |  |  | Air Density                    | 0.0 | 3.0 | kg/m <sup>3</sup> |

## 6.8 Wind Speed

|                             |  |
|-----------------------------|--|
| Sampling rate               | 10 seconds   |
| Generation of average value | 1 – 10 minutes   |
| Generation of maximum value | 1 – 10 minutes based on the internal second measurements |
| Units                       | m/s; km/h; mph; kts                                      |
| Response threshold          | 0.3 m/s  |

Request channels:

| UMB Channel |     |     |     |     | Measurement Variable (float32)  | Measuring Range |       |      |
|-------------|-----|-----|-----|-----|---------------------------------|-----------------|-------|------|
| act         | min | max | avg | vct |                                 | min             | max   | unit |
| 400         | 420 | 440 | 460 | 480 | Wind Speed                      | 0               | 75.0  | m/s  |
| 405         | 425 | 445 | 465 | 485 | Wind Speed                      | 0               | 270.0 | km/h |
| 410         | 430 | 450 | 470 | 490 | Wind Speed                      | 0               | 167.8 | mph  |
| 415         | 435 | 455 | 475 | 495 | Wind Speed                      | 0               | 145.8 | kts  |
| 401         |     |     |     |     | Wind Speed Fast                 | 0               | 75.0  | m/s  |
| 406         |     |     |     |     | Wind Speed Fast                 | 0               | 270.0 | km/h |
| 411         |     |     |     |     | Wind Speed Fast                 | 0               | 167.8 | mph  |
| 416         |     |     |     |     | Wind Speed Fast                 | 0               | 145.8 | kts  |
| 403         |     |     |     |     | Wind Speed Standard Deviation * | 0               | 75.0  | m/s  |
| 413         |     |     |     |     | Wind Speed Standard Deviation * | 0               | 167.8 | mph  |



**Note:** The second measurements are averaged over 10 seconds for the output of the current (act) measurement. The 'fast' channels deliver every second a value.

## 6.9 Wind Direction

|                             |  |
|-----------------------------|--|
| Sampling rate               | 10 seconds   |
| Generation of average value | 1 – 10 minutes   |
| Generation of maximum value | 1 – 10 minutes based on the internal second measurements |
| Unit                        | °  |
| Response threshold          | 0.3 m/s  |

Request channels:

| UMB Channel |     |     |     |     | Measurement Variable (float32) | Measuring Range |       |      |
|-------------|-----|-----|-----|-----|--------------------------------|-----------------|-------|------|
| act         | min | max | avg | vct |                                | min             | max   | unit |
| 500         | 520 | 540 |     | 580 | Wind Direction                 | 0               | 359.9 | °    |
| 501         |     |     |     |     | Wind Direction Fast            | 0               | 359.9 | °    |
| 502         |     |     |     |     | Wind Direction Corrected       | 0               | 359.9 | °    |
| 503         |     |     |     |     | Wind Dir. Standard Deviation * | 0               | 359.0 | °    |



**Note:** The second measurements are averaged over 10 seconds for the output of the current (act) measurement. The 'fast' channels deliver every second a value.

The minimum / maximum wind direction indicates the direction at which the minimum / maximum wind speed was measured.

The corrected wind direction is calculated from the wind direction measured by the wind sensor and the heading measured by the compass.

Optionally the compass correction of the wind direction can be activated for all wind direction values. (Settings by UMB Config Tool)

**Note:** The correction function is designed for correction of the wind direction of a statically mounted sensor. If the alignment of the sensor changes during the measurement (i.e. if the sensor is mounted on a rotating platform or similar) the correction function will not in all cases work properly, especially not for the vector average.



It is of course possible to use the correction function for mobile measurement units, where the alignment is changed between measurement periods.



\*) **Note:** The evaluation of the standard deviation values will be activated after the first request of a standard deviation channel. Please see p. 11.



### 6.10 Wind Measurement Quality

Sampling rate 10 seconds

Unit %

Request channels:

| UMB Channel |     |     |     |     | Measurement Variable (float32) | Measuring Range |     |      |
|-------------|-----|-----|-----|-----|--------------------------------|-----------------|-----|------|
| act         | min | max | avg | vct |                                | min             | max | unit |
| 805         |     |     |     |     | Wind Value Quality             | 0               | 100 | %    |
| 806         |     |     |     |     | Wind Value Quality (fast)      | 0               | 100 | %    |



**Note:** The value is updated every 10 seconds and transmits the minimum wind measurement quality for the last 10 seconds interval.

The “fast” value indicates the measurement quality of the one second measurement value.

This value allows the user to assess how well the measurement system is functioning in the respective ambient conditions. In normal circumstances the value is 90 - 100%. Values up to 50% do not represent a general problem. If the value falls towards zero the measuring system is reaching its limits.

If during critical ambient conditions the system is no longer able to conduct reliable measurements, error value 55h (85d) is transmitted (device unable to execute valid measurement due to ambient conditions).

### 6.11 Compass

(only device version 030 or higher)

Sampling rate: 5 min

Unit °

Request channels:

| UMB Channel |     |     |     |     | Measurement Variable (float) | Measuring Range |     |      |
|-------------|-----|-----|-----|-----|------------------------------|-----------------|-----|------|
| act         | min | max | avg | vct |                              | min             | max | unit |
| 510         |     |     |     |     | Compass Heading              | 0               | 359 | °    |



**Note:** Reliable operation of the compass is only possible, if the sensor has been mounted according to the instructions in this manual, i.e. on top of the pole. Should the sensor be mounted on a traverse, the distribution of iron masses will be different from the situation during factory calibration. This may lead to additional deviation of the bearing. This also applies to lightning rods mounted at the pole top!

Dependent on the location of the installation the local declination of the earth magnetic field has to be considered. The declination value is entered using the UMB-Config-Tool (see page 31). The declination for the installation location can be found in the Internet, e.g. at

<http://www-app3.gfz-potsdam.de/Declinationcalc/declinationcalc.html>

<http://www.ngdc.noaa.gov/geomagmodels/Declination.jsp>



**Note:** When the fan is not rotating the compass measurement value will be influenced by the magnetic field of the fan. Normally the compass measurement will be performed with the fan rotating to compensate this influence. If, starting from device version 037, the fan will not be switched on in case of low operating voltage (less than 12V) deviations of the compass measurement value must be accepted.



**Note:** When the device is operated in Power Saving Mode 1 or 2 the compass measurement is performed only once after power on. Later changes of the orientation of the device will not be recognized.

## 6.12 Precipitation Quantity - Absolute

Sampling rate            Event-dependent on reaching the response threshold

Response threshold    0.01mm (Radar)

Response threshold    0.2 / 0.5 mm (Rain Gauge)

Units                     l/m<sup>2</sup>; mm; in; mil

Request channels:

| UMB Channel | Measurement Variable (float32)    | Unit             |
|-------------|-----------------------------------|------------------|
| 600         | Precipitation Quantity - Absolute | l/m <sup>2</sup> |
| 620         | Precipitation Quantity - Absolute | mm               |
| 640         | Precipitation Quantity - Absolute | in               |
| 660         | Precipitation Quantity - Absolute | mil              |



**Note:** This measurement indicates the accumulated precipitation quantity since the last device reboot. The measurement is retained for the duration of a short power failure. To reset this value, use the corresponding function in the UMB-Config-Tool (see page 34) or disconnect the device from the power supply for at least one hour.

## 6.13 Precipitation Quantity - Differential

Sampling rate            Event-dependent on reaching the response threshold

Response threshold    0.01mm (Radar)

Response threshold    0.2 / 0.5 mm (Rain Gauge)

Units                     l/m<sup>2</sup>; mm; in; mil

Request channels:

| UMB Chanel | Measurement Variable (float32)        | Unit             |
|------------|---------------------------------------|------------------|
| 605        | Precipitation Quantity - Differential | l/m <sup>2</sup> |
| 625        | Precipitation Quantity - Differential | mm               |
| 645        | Precipitation Quantity - Differential | in               |
| 665        | Precipitation Quantity - Differential | mil              |



**Note:** Each request from a differential channel sets the accumulated quantity back to zero. If the response from the device is lost due to a transmission error (e.g. poor GPRS connection), the quantity accumulated to date is also lost. The quantity accumulated to date is also reset each time the equipment is rebooted.

## 6.14 Precipitation Intensity

Sampling rate            1 minute

Response threshold    0.6 mm/h

Units                     l/m<sup>2</sup>/h; mm/h; in/h; mil/h

Request channels:

| UMB Channel | Measurement Variable (float32) | Range       | Unit                |
|-------------|--------------------------------|-------------|---------------------|
| 800         | Precipitation Intensity        | 0 ... 200.0 | l/m <sup>2</sup> /h |
| 820         | Precipitation Intensity        | 0 ... 200.0 | mm/h                |
| 840         | Precipitation Intensity        | 0 ... 7.874 | in/h                |
| 860         | Precipitation Intensity        | 0 ... 7874  | mil/h               |



**Note:** The device versions with radar technology (WS400-UMB, WS600-UMB) calculate the precipitation intensity is always on the basis of the precipitation of the previous minute.

The lower resolution of the rain gauge would lead to high fluctuation of the intensity values, so the rain gauge versions (WS401-UMB and WS601-UMB), as well as the external rain gauge, use the accumulated precipitation of the last 60 minutes prior to the current measurement for intensity calculation.

### 6.15 Precipitation Type

Sampling rate            Event-dependent on reaching the response threshold  
 Response threshold    0.002mm (Radar)  
 Response threshold    0.2 / 0.5 mm (Rain Gauge)  
 Follow-up time         2 minutes

Request channels:

| UMB Channel | Measurement Variable (uint8) | Coding   |
|-------------|------------------------------|--|
| 700         | Precipitation Type           | 0 = No precipitation<br>60 = Liquid precipitation, e.g. rain<br>70 = Solid precipitation, e.g. snow<br>40 = unspecified precipitation<br>(WS401-UMB, WS601-UMB, external rain gauge) |



**Note:** A detected precipitation type remains valid for 2 minutes after the end of the precipitation event. In order to record precipitation types which only occur for a short period (e.g. short-term rain), the request interval should be 1 minute or shorter.

Ice, hail and sleet are transmitted as rain (60).

The versions WS401-UMB and WS601-UMB as well as the external rain gauge do not include detection of precipitation type, so in this case only type 40 (unspecified precipitation) is indicated. Due to the function of the rain gauge only liquid or molten precipitation can be recognized.

### 6.16 Heating Temperature

Sampling Rate            1 Minute  
 Units                      °C; °F

Request Channels:

| UMB Channel |     |     |     | Measurement Variable (float32)           | Measuring Range |       |      |
|-------------|-----|-----|-----|--|-----------------|-------|------|
| act         | min | max | avg |  | min             | max   | Unit |
| 112         |     |     |     | Heating Temperature Wind Sensor          | -50.0           | 150.0 | °C   |
| 113         |     |     |     | Heating Temperature Precipitation Sensor | -50.0           | 150.0 | °C   |
| 117         |     |     |     | Heating Temperature Wind Sensor          | -58.0           | 302.0 | °F   |
| 118         |     |     |     | Heating Temperature Precipitation Sensor | -58.0           | 302.0 | °F   |

### 6.17 Global Radiation

Sampling Rate            10 seconds  
 Generation of average values    1 – 10 minutes \*)  
 Unit                         W/m<sup>2</sup>

Request Channels:

| UMB Channel |     |     |     | Measurement Variable (float32) | Measuring Range |        |                  |
|-------------|-----|-----|-----|--------------------------------|-----------------|--------|------------------|
| act         | min | max | avg |                                | min             | max    | unit             |
| 900         | 920 | 940 | 960 | Global Radiation               | 0.0             | 1400.0 | W/m <sup>2</sup> |



\*) Note: The average, maximum and minimum values are evaluated from the 1 minute averages of the 10 second spot value.

When operated in Power Saving Mode 1 (see page 36) the WS700-UMB will measure the global radiation only once per minute.

### 6.18 Leaf Wetness

|                              |   |
|------------------------------|---|
| Sampling Rate                | 1 minute  |
| Generation of average values | 1 – 10min (using the setting for rel. humidity) |
| Unit                         | mV / code                                       |

Request Channels:

| UMB Channel |     |     |     | Measurement Variable (float32) | Measuring Range    |        |      |
|-------------|-----|-----|-----|--------------------------------|--------------------|--------|------|
| act         | min | max | avg |                                | min                | max    | unit |
| 710         | 730 | 750 | 770 | Leaf Wetness mV                | 0.0                | 1500.0 | mV   |
| 711         |     |     |     | Leaf Wetness State             | 0 = dry<br>1 = wet |        |      |

The leaf wetness state is evaluated comparing with the adjustable leaf wetness threshold. The setting of this threshold shall be done according to the instructions of the sensor manual and, if necessary, readjusted as part of the maintenance procedure.

### 6.19 Service Messages

Service channels are available for the surveillance of the operation of the Smart Weather Sensor.

Request Channels:

| UMB Channel |     |     |     | Measurement Variable (float32) | Measuring Range |       |         |
|-------------|-----|-----|-----|--------------------------------|-----------------|-------|---------|
| act         | min | max | avg |                                | min             | max   | unit    |
| 10000       |     |     |     | Supply Voltage V               | 0.0             | 50.0  | V       |
| 11000       |     |     |     | Rain Drop Volume $\mu$         | 0.0             | 500.0 | $\mu$ l |

## 7 Installation

The sensor bracket is designed to be installed on the top of a mast with a diameter of 60 – 76mm.

The following tools are required for the installation:

- Open-end or ring spanner (SW13)
- Compass for aligning the wind meter to the North

### 7.1 Fastening

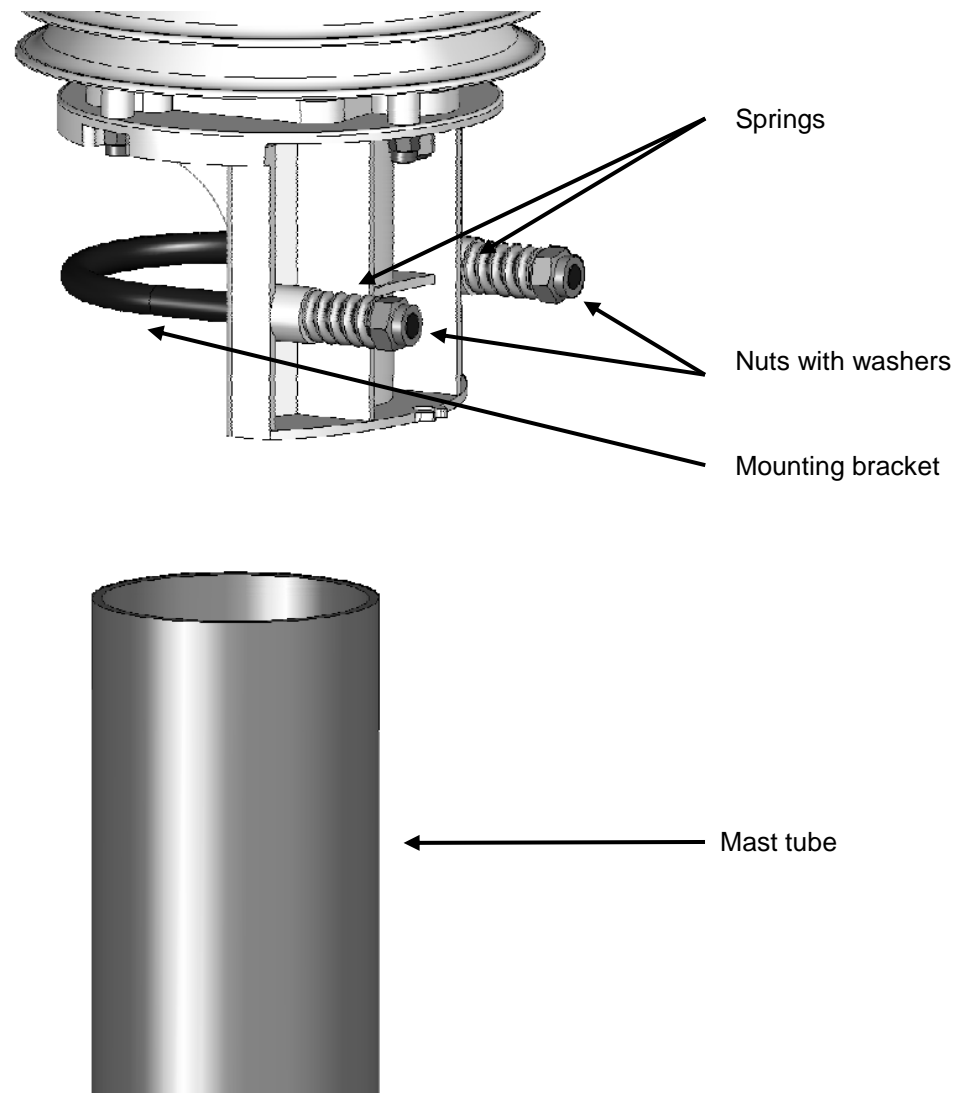


Figure 2: Fastening to the Mast

- Loosen nuts
- Push the sensor onto the top of the mast from above
- Tighten the nuts evenly until contact is made with the springs but the sensor can still be moved easily
- Align the sensor to the North (for wind meters)
- Tighten both nuts with **3 revolutions**

### 7.2 North Alignment

In order for the wind direction to display correctly, the sensor must be aligned to the North. The sensor has a number of directional arrows for this purpose.

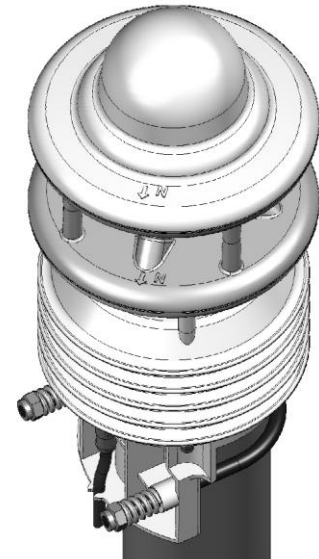
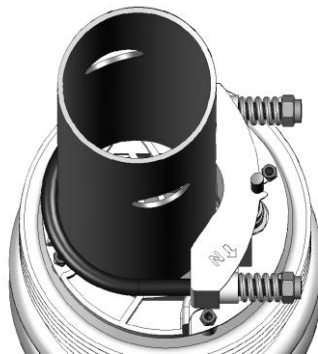


Figure 3: North Markings

**Procedure:**

- If the sensor is already installed, first loosen both nuts evenly until you can turn the sensor easily
- Using the compass, identify the North and fix a point of reference on the horizon
- Position the sensor in such a way that the South and North wind sensors are in alignment with the fixed point of reference in the North
- Tighten both nuts with 3 revolutions

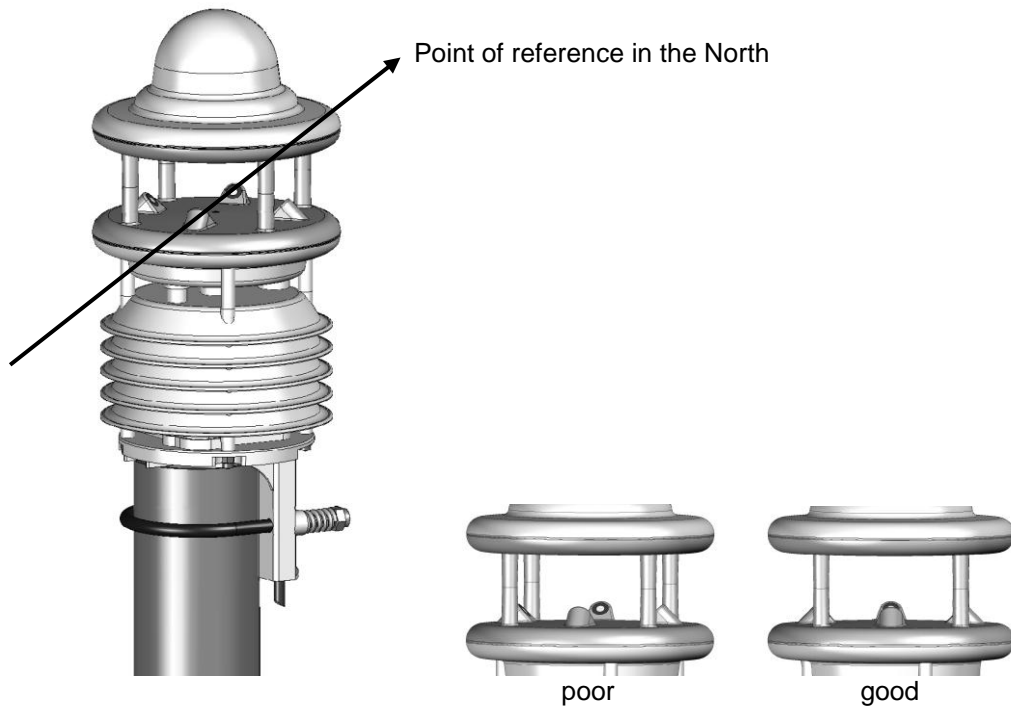


Figure 4: Alignment to North



**Note:** As the magnetic North Pole indicated by the compass differs from the Geographic North Pole, account must be taken of the declination (variation) at the location when aligning the sensor.

Depending on the location, the variation can be more than 15° (in North America for example). In Central Europe the variation can be largely ignored at present (< 3°). You can find further helpful information on this subject on the Internet.

### 7.3 Selecting the Installation Location

In order to guarantee long service life and correct equipment operation, please pay attention to the following points when selecting the installation location.

#### 7.3.1 General Instructions

- Stable subsurface for installing the mast
- Free access to the equipment for maintenance works
- Reliable power supply for permanent operation
- Good network coverage when transmitting over a mobile communications network



**Note:** The computed measurements specifically apply to the equipment location only. No conclusions can be drawn with regard to the wider environment or a complete road section.

#### ATTENTION:



- Only approved and tested appliances (conductors, risers etc.) should be used to install the device on the mast.
- All relevant regulations for working at this height must be observed.
- The mast must be sized and anchored appropriately.
- The mast must be earthed in accordance with regulations.
- The corresponding safety regulations for working at road side and in the vicinity of the road carriageway must be observed.



If the equipment is installed incorrectly

- It may not function.
- It may be permanently damaged.
- Danger of injury may exist if the equipment is allowed to fall.

#### 7.3.2 Sensors with Wind Measurement / Compass

- Installation at the top of the mast
- Installation height at least 2m above the ground
- Free field around the sensor



**Note:** Buildings, bridges, embankments and trees may corrupt the wind measurement. Equally, passing traffic may cause gusts which may influence the wind measurement.

**Note:** for accurate compass readings, an aluminium mast is recommended.

#### 7.3.3 Sensors with Radar Precipitation Measurement

- Installation on the top of the mast
- Installation height at least 4.5m above the ground
- Distance to road carriageway at least 10m
- Distance from moving objects (e.g. trees, bushes and even bridges) at least 10m at the height of the sensor



**Note:** Falling or moving objects, e.g. falling leaves or leaves blowing in the wind, may cause false measurements and/or precipitation types.

**Note:** Strong wind can influence the accuracy of the precipitation measurement.



**Note:** When selecting the installation location please take care to position the device at a suitable distance from other systems incorporating a 24GHz radar sensor, such as traffic counting devices on overhead gantry signs. Otherwise cross effects and system malfunctions may occur. In the final analysis, the distance to other measuring systems also depends on their range of coverage and signal strength.

### 7.3.4 Sensors with Rain Gauge

- Installation on the top of the mast or on crossbar with distance to the mast
- Mast or crossbar mounting shall be exactly perpendicular, otherwise the precision of the rain gauge may be influenced.

Note: The location should be selected so that pollution of the rain gauge funnel by falling leaves etc. can be avoided as far as possible.

### 7.3.5 Sensors with Global Radiation Measurement

- Installation on top of the pole
- Shadow free location, if possible 360° free view to the horizon at the height of the pyranometer
- Distance to shadow casting objects (trees, buildings) at least 10 times of the object height relative to the sensor.

### 7.3.6 Installation Sketch

Example WS600-UMB:

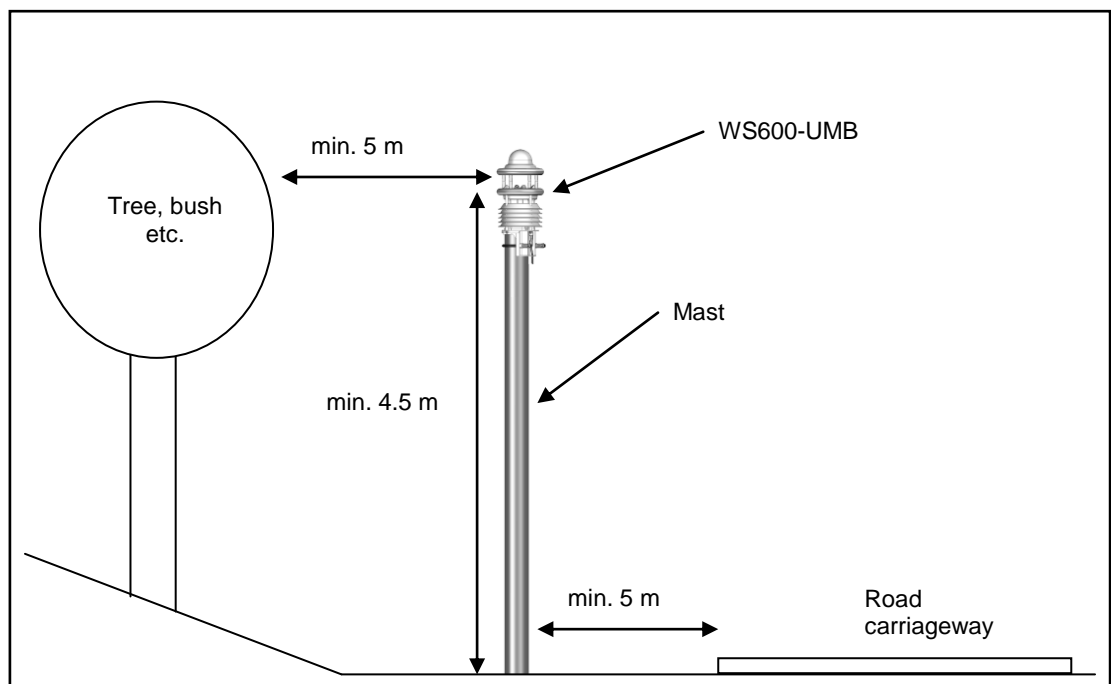


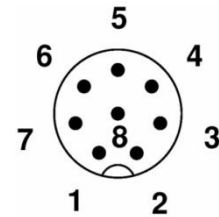
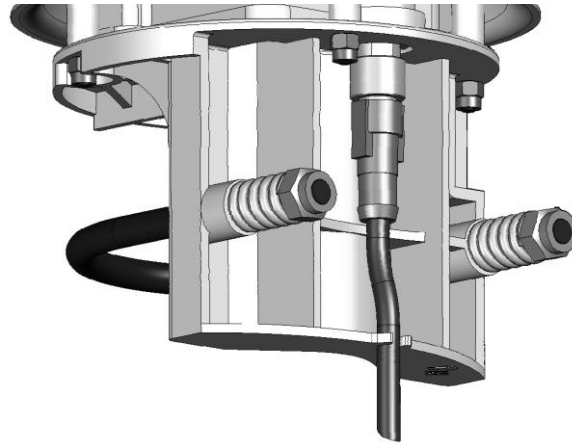
Figure 5: Installation Sketch



## 8 Connections

There is an 8 pole screw connector on the underside of the equipment. This serves to connect the supply voltage and interfaces by way of the supplied connection cable.

Equipment connector:



View on sensor connection

Figure 6: Connections

Pin assignment:

|   |        |                                 |
|---|--------|---------------------------------|
| 1 | White  | Supply voltage ground           |
| 2 | Brown  | Positive supply voltage         |
| 3 | Green  | RS485_A (+) or SDI-12 GND       |
| 4 | Yellow | RS485_B (-) or SDI-12 Data Line |
| 5 | Grey   | External Sensor a               |
| 6 | Pink   | External Sensor b               |
| 7 | Blue   | Heating voltage ground          |
| 8 | Red    | Positive heating voltage        |

The cable marking is in accordance with DIN 47100.



**Note:** The yellow protective cap must be removed before plugging in the equipment.

If the equipment is not connected correctly



- It may not function
- It may be permanently damaged
- The possibility of an electrical shock may exist



The supply voltage and the heating voltage are protected against polarity reversal.

**Note:** When operating the Smart Weather Sensor in SDI12 mode, line 3 (green) shall be connected only if the SDI12 logger is DC-isolated from the supply voltage of the device. If signal ground (SDI-12-GND) of the data logger and power supply ground are identical, only the SDI12-Data-Line (line 4, yellow) may be connected.

### 8.1 Supply Voltage

The supply voltage for the Smart Weather Sensor is 12 - 24V DC. The power supply unit used must be approved for operation with equipment of protection class III (SELV).

Starting with device version 037 the Smart Weather Sensor has an extended supply voltage range of 4 ... 32V DC. Operation with a supply voltage of 24V is recommended. Limitations apply in case of supply voltages lower than 12V (see below).



#### 8.1.1 Limitations in 12V mode

If the heating is operated on 12V DC, account must be taken of the functional restrictions in winter operation.

**Note:** A heating voltage of 24V DC is recommended to guarantee full heating duty.

### 8.1.2 Limitations in Case of Operation with Supply Voltage Below 12V

When operating a Smart Weather Sensor (device version  $\geq 037$ ) with supply voltages lower than 12V DC, the fan will be not switched on, independent of the fan operating mode. This may influence the accuracy of temperature and humidity measurement in case of solar radiation.

Additionally deviations of the compass measurement values have to be accepted.

When operating the Smart Weather Sensor in Power Save Modes with supply voltages below 12V the minimal supply voltage depends on the length of the connection cable.

The minimal permitted supply voltage ( $U_{Bmin}$ ) can be approximately evaluated from the equation:

$$U_{Bmin} = 4V + 0.3V (\text{cable length} / \text{m})$$

The minimal supply voltage for a 10m cable is then  $U_{Bmin} = 6V$ . The influence of the cable length on minimal supply voltage can be reduced by using of a cable with larger wire cross section.

### 8.2 RS485 Interface

The equipment has an electrically isolated, half-duplex, 2 wire RS485 interface for configuration, measurement polling and the firmware update.

See page 42 for technical details.

### 8.3 Connection to ISOCON-UMB (8160.UISO)

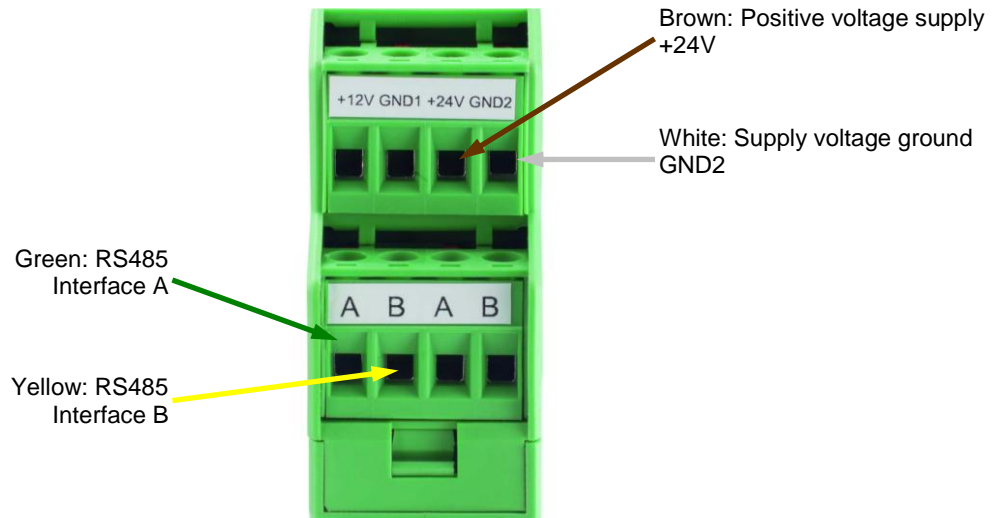


Figure 7: Connection to ISOCON-UMB



**Warning:** The heating voltage (red = positive heating voltage; blue = heating voltage ground) is **not** connected to the ISOCON-UMB but wired direct to the power supply unit. During installation please also refer to the operating manual for the ISOCON-UMB.

### 8.4 Use of Surge Protection (8379.USP)

When using surge protection (Order No.: 8379.USP), please pay attention to the connection example in the surge protection operating instructions.

### 8.5 Connection of the Leaf Wetness Sensor

The sensor versions WS401-UMB and WS601-UMB (precipitation measurement by rain gauge) can be equipped with an optional external leaf wetness sensor.

The connection terminals for the leaf wetness sensor are located inside the rain gauge module. The sensor connection cable is put through the cable bushing in the wall of the rain gauge module and connected to the terminals (see Chap. 18.1).

Terminal assignment for Leaf Wetness Sensor WLW100:

|   |                |                          |
|---|----------------|--------------------------|
| 1 | blank (shield) | Ground                   |
| 2 | red            | Signal Voltage           |
| 3 | white          | Sensor Supply Voltage 5V |

### 8.6 Connection of External Temperature and Precipitation Sensors

External sensors are to be connected to pins 5 and 6 of the plug connector, i.e. to the gray and pink wires of the cable delivered with the Smart Weather Sensor.

The temperature sensors as well as the external rain gauge are unipolar, so any connection sequence can be chosen.

The type of external sensor has to be set using the UMB Config Tool.

For details please refer to Chapter 18.

## 9 Commissioning

After the equipment has been installed and connected correctly, the sensor begins autonomously to take measurements. A Windows® PC with serial interface, UMB-Config-Tool software and interface cable (SUB-D 9 pole; jack - socket; 1:1) are required for configuration and test purposes.

Attention must be paid to the following points:

Check for correct equipment operation on site by carrying out a measurement request with the aid of the UMB-Config-Tool (see page 35).

- Configure the local altitude in order to ensure the correct calculation of relative air pressure (see page 31).
- The device must be aligned to the North in order to ensure correct wind measurement (see page 22), or the automatic compass correction must be activated (see page 31).
- In order to get correct compass headings the local declination must be configured (see page 17 and 31).
- If several Smart Weather Sensors are operated on a UMB network, a unique device ID must be assigned to each device (see page 30).

There is no protective cover to remove on the sensor itself.

## 10 Configuration and Test

Lufft provides Windows® PC software (UMB-Config-Tool) for configuration purposes. The sensor can also be tested and the firmware updated with the aid of this software.

### 10.1 Factory Settings

The Smart Weather Sensor is delivered with the following settings:

Class ID: 7 (cannot be modified)  
 Device ID: 1 (gives address 7001h = 28673d)  
 Baud rate: 19200  
 RS485 protocol: Binary  
 Calculation interval: 10 measurements  
 Local altitude: 0 m



**Note:** The device ID must be changed if several Smart Weather Sensors are operated on a UMB network, as each device requires a unique ID. It makes sense to start from ID 1 and continue in ascending order.

### 10.2 Configuration with the UMB-Config-Tool

The operation of the UMB-Config-Tool is described in detail in the operating instructions for the Windows® PC software. For this reason only the menus and functions specific to the Smart Weather Sensor are described here.

#### 10.2.1 Sensor Selection

The Smart Weather Sensor is shown here with sensor selection WSx-UMB (Class ID 7).

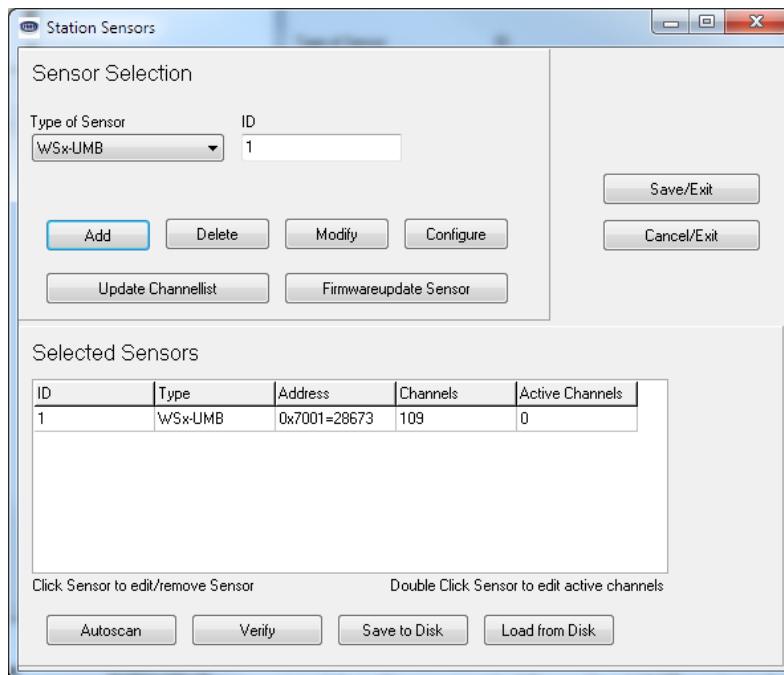


Figure 8: Sensor Selection



**Note:** You do require the current version of the UMB-Config-Tool to configure the Smart Weather Sensor.



**Note:** All other devices which are used in the polling process, e.g. modems, LCOM etc., must be disconnected from the UMB network during configuration.

### 10.2.2 Configuration

After a configuration has been loaded, all relevant settings and values can be adjusted. Depending on the device type, only the settings pertinent to the respective available sensors are relevant.

### 10.2.3 General Settings

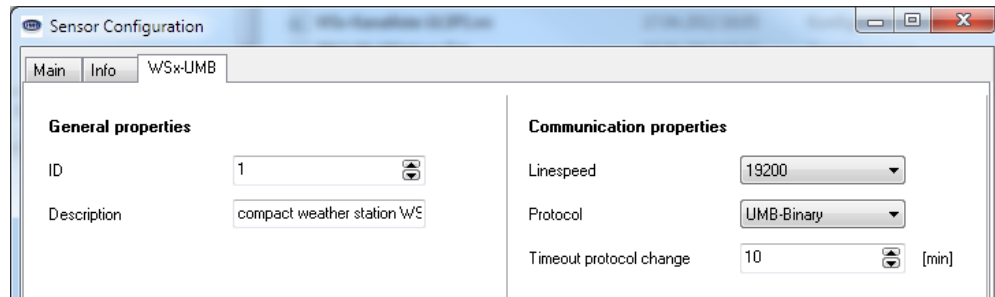


Figure 9: General Settings

- ID:** Device ID (factory setting 1; assign device IDs to additional devices in ascending order).
- Description:** In order to differentiate the devices you can enter a description here, e.g. the location.
- Linespeed:** Transmission speed of the RS485 interface (factory setting 19200; **DO NOT CHANGE for operation with ISOCON-UMB**).
- Protocol:** Communications protocol of the sensor (UMB-Binary, UMB-ASCII, SDI-12, Modbus-RTU, Modbus-ASCII, Terminal-Mode).
- Timeout:** In the event of a temporary changeover of the communications protocol, the system switches back to the configured protocol after this time (in minutes)



**Important note:** If the baud rate is changed, after saving the configuration on the sensor, the sensor communicates at the new baud rate. When operating the sensor in a UMB network with ISOCON-UMB, **this baud rate must not be changed**; otherwise the sensor is **no longer addressable** and can no longer be configured.

### 10.2.4 Temperature, Humidity and Fan Settings

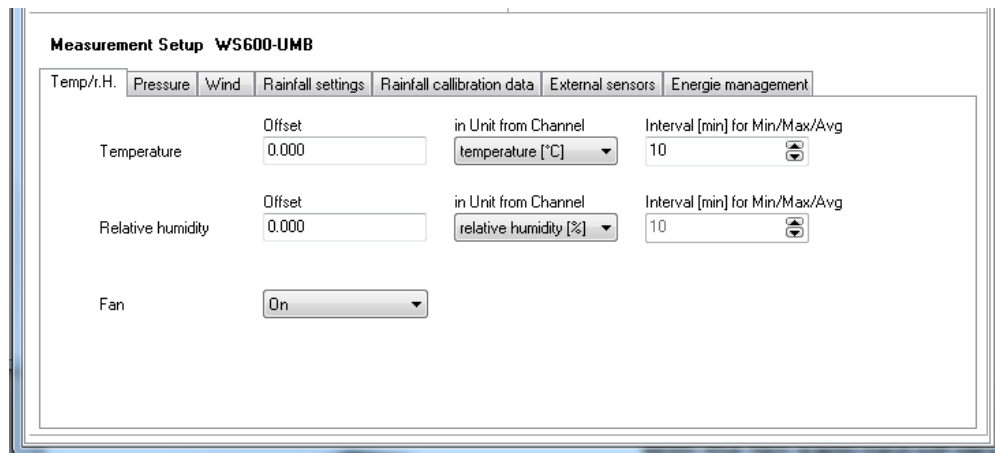


Figure 10: Temperature, Humidity and Fan Settings

- Offset:** Absolute offset on the measurement in the unit of the accompanying channel (for on-site calibration).
- Interval:** Time in minutes for the minimum, maximum and average value calculation interval.
- Fan:** to reduce electrical power consumption, the fan can be switched off.  
**Note: if the fan is switched off, all heaters will also be switched off! With the fan switched off deviations in temperature and humidity measurement can occur by solar radiation!**



**Note:** In order to calculate dew point, absolute humidity and mixing ratio, the temperature and humidity measurement always requires the same interval. For this reason different intervals cannot be set.



### 10.2.5 Pressure,

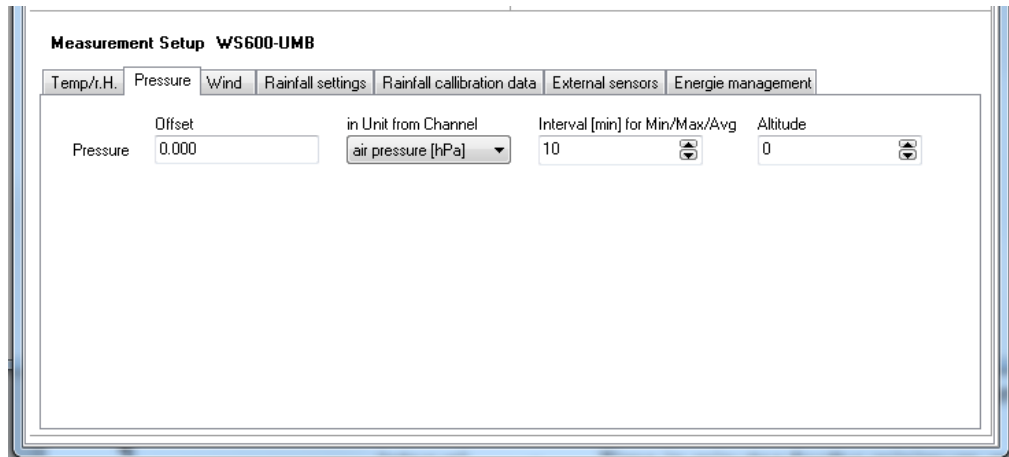


Figure 11: Pressure Settings

- Offset: Absolute offset on the measurement in the unit of the accompanying channel.
- Interval: Time in minutes for the minimum, maximum and average value calculation interval.
- Altitude: Enter the local altitude in meters here for the correct calculation of relative air pressure (referenced to sea level).

### 10.2.6 Wind and Compass Settings

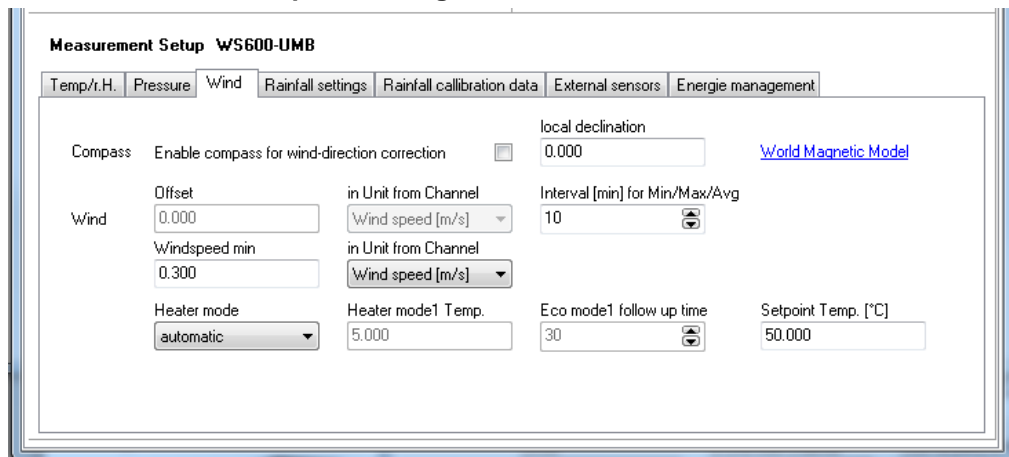


Figure 12: Wind Settings

- Offset: Absolute offset on the measurement in the unit of the accompanying channel.
- Interval: Time in minutes for the minimum, maximum and average value calculation interval.
- Windspeed min: Approach velocity onto the wind meter with effect from which a measurement is transmitted, in the unit of the accompanying channel.
- Heater mode: The device can be configured for heating in different operating modes. Configure as 'automatic' in normal operating mode. You can find a precise description of the operating modes on page 38.
- Local declination: Dependent on the location of the installation; the local declination of the earth magnetic field has to be considered.
- Enable Compass for wind-direction correction: With activated compass correction all wind direction values will be corrected according to the alignment of the sensor, as evaluated by the compass.

**Note:** The offset is not used for the wind meter at present because on-site calibration is not possible in this case.



### 10.2.7 Precipitation Sensor Settings (Radar)

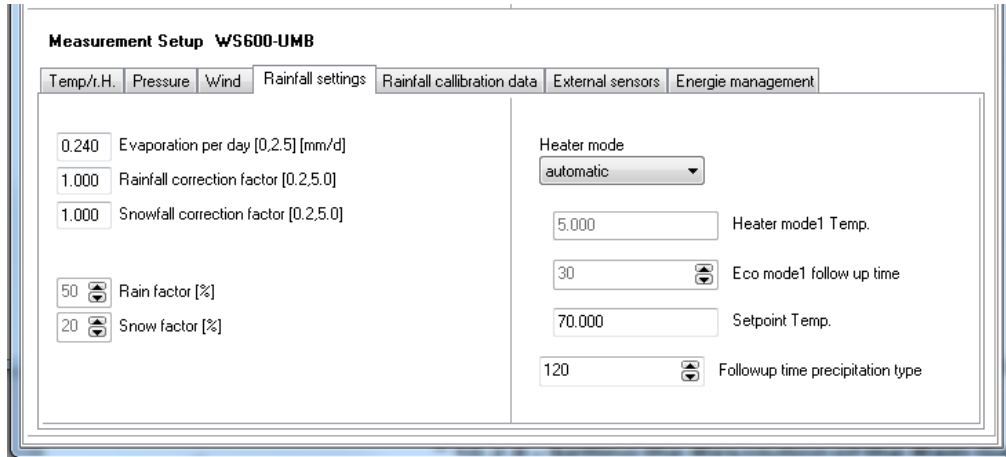


Figure 13: Precipitation Sensor Settings (Radar)



Heater mode: The device can be configured for heating in different operating modes. Configure as 'automatic' in normal operating mode. You can find a precise description of the operating modes on page 38.

Followup time precipitation type: for this time (in seconds) the detected precipitation type is shown; to cover all events, this time must be adjusted to the poll rate.

**Note:** All other parameters, especially those in the 'Rainfall calibration data' tab, may only be changed after consultation with the manufacturer, as they have a major influence on the functioning and accuracy of the sensor.

### 10.2.8 Precipitation Sensor Settings (Rain Gauge)

The rain gauge module can be operated with resolutions 0.2mm or 0.5mm. The setting of the resolution is to be done in two steps:

- Mechanical setting
- Configuration setting

The mechanical setting works by modifying the effective area of the funnel. The sensor is delivered with a reduction ring, which can be mounted on the funnel to reduce the area.

Funnel with reduction ring resolution 0.5mm

Funnel without reduction ring resolution 0.2mm

Then the resolution is set in the sensor configuration using the UMB Config Tool.

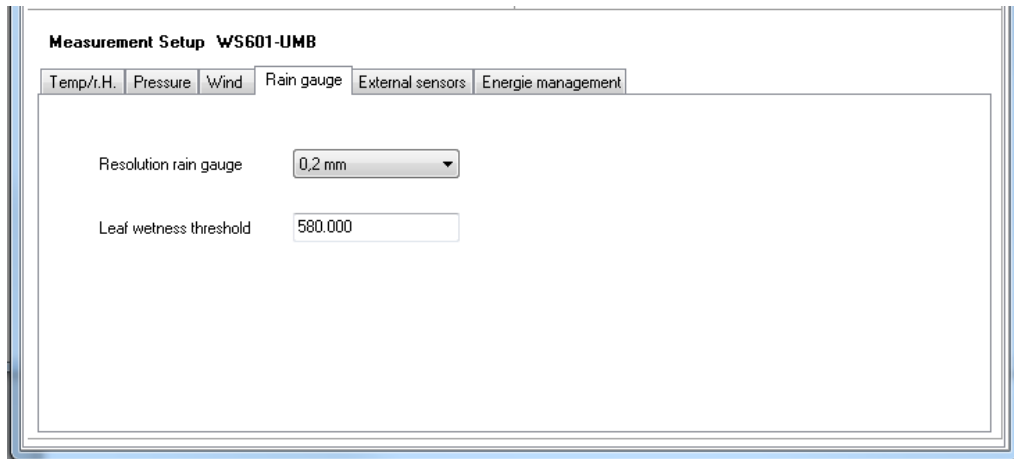


Figure 14: Precipitation Sensor Settings (Rain Gauge)



**Caution:** If mechanical setting and configuration setting do not conform, the sensor will deliver wrong precipitation values!



## 10.2.9 Energy Management

**Measurement Setup WS600-UMB**

Temp/r.H. | Pressure | Wind | Rainfall settings | Rainfall calibration data | External sensors | **Energie management**

|                  |                |                  |
|------------------|----------------|------------------|
| <b>WSx-UMB</b>   | Operating mode | Normal operation |
| <b>Temp/r.H.</b> | Fan            | On               |
| <b>Wind</b>      | Heating        | automatic        |
| <b>Rain</b>      | Heater mode    | automatic        |
|                  | Operating mode | Standard         |

Factory settings

Figure 15: Energy Management Settings

By setting the operating and heating mode, the energy consumption of the device can be adapted to the circumstances of the installation.

The different settings are described in the following chapters:

- operating modes of Smart Weather Sensor from page 36
- operating modes of the heating from page 38

### 10.2.10 Reset Precipitation Quantity

To reset the accumulated absolute precipitation quantity the UMB-Config-Tool offers the following function:

Options → WSx-UMB reset rain

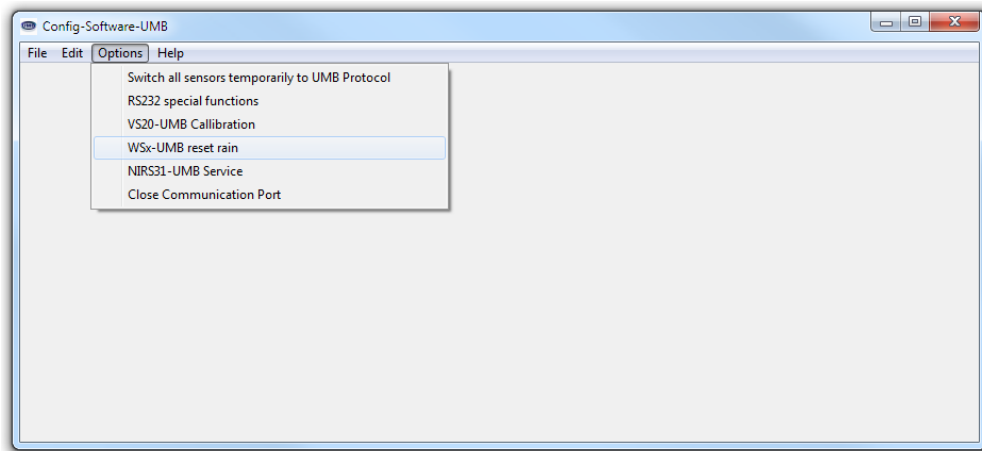
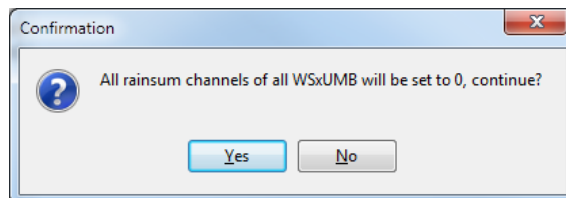


Figure 16: Reset Precipitation Quantity

Confirm the reset with 'Yes'



**Note:** The precipitation quantities are reset in ALL Smart Weather Sensors on the respective UMB network. The devices reboot after this function has been used.

### 10.3 Function Test with UMB-Config-Tool

The functions of the Smart Weather Sensor can be tested with the UMB-Config-Tool by polling various channels.



**Note:** All other devices which are used in the polling process, e.g. modems, LCOM etc., must be disconnected from the UMB network during configuration.

#### 10.3.1 Channels for Measurement Polling

You can select the channel for measurement polling by the UMB-Config-Tool by clicking on the respective channel.

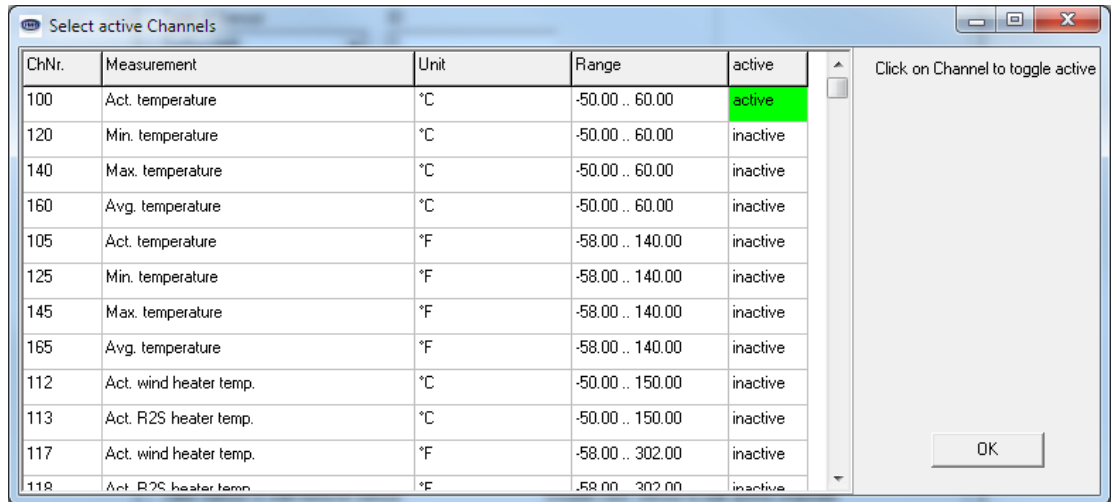


Figure 17 Measurement Polling Channels

#### 10.3.2 Example of Measurement Polling

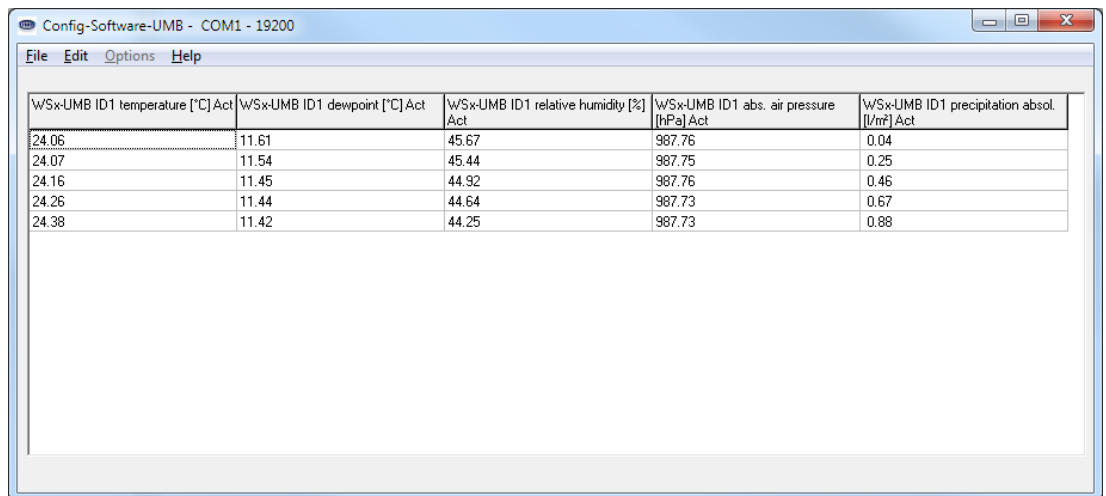


Figure 18 Example of Measurement Polling



**Note:** The UMB Config Tool is provided for test and configuration purposes only. It is not suitable for the permanent acquisition of measurement data. We recommend the use of professional software solutions for this purpose, e.g. Lufft SmartView3.

## 10.4 Operating Modes of the Smart Weather Sensor

The power consumption of the Smart Weather Sensor can be adjusted to the properties of the individual installation by setting the operation mode.

The operation of the power save modes however has certain constraints. These have to be considered when designing the installation.

In normal operation, where all specified properties of the Smart Weather Sensor are fully available, the power consumption is mostly determined by heating and fan operation.

### 10.4.1 Power Saving Mode 1

Following measures are active in power saving mode 1:

- The ventilation of the temperature / humidity unit is switched off
- All heaters are switched off
- The radar rain sensor (WS700-UMB, WS600-UMB, WS400-UMB) is not working continuously. The sensor is activated once per minute for one second, if precipitation is detected, it remains turned on until the end of the event, otherwise it is deactivated after this one second again.
- Compass measurement is only performed once after power up. The fan, which is otherwise deactivated, will be switched on shortly for the time of this measurement.
- The WS700-UMB increases the measuring cycle time for global radiation from 10 seconds to 1 minute.



**Note:** This setting has the following restrictions:

- With the fan switched off deviations in temperature and humidity measurement can occur by solar radiation.
- Only limited winter operation is possible in this operating mode because any icing might prevent the correct operation of the rain sensor or wind meter.
- The rain detection may be delayed up to 2 minutes. Short events are possibly not detected. Thus, deviations in the accuracy of the precipitation quantity are possible.

Compared with normal operation the power consumption of a WS600-UMB can be reduced to 10% even neglecting the heating. (during precipitation events the consumption is slightly higher, due to the rain sensor then permanently switched on, about 20% compared to normal operation).

### 10.4.2 Power Saving Mode 2

Power saving mode 2 permits another relevant reduction of the power consumption, but adds on the other hand more severe restrictions.

In this operation mode the device will be almost completely switched off and will wake up only by the data request for one measurement cycle. During measurement and data transmission the device will be switched on for about 10 – 15 sec. The total consumption will be mostly determined by the data request interval.



**Note:** This operating mode has the following restrictions:

- All restrictions of power saving mode 1
- Power saving mode 2 is not available for devices with radar rain sensor (WS700-UMB, WS600-UMB, WS400-UMB). We recommend devices with tipping bucket rain gauge for low power applications.
- The calculation of average, minimum and maximum as well as precipitation intensity are not available. Only instantaneous values will be transmitted.
- Compass measurement is only performed once after power up. The fan, which is otherwise deactivated, will be switched on shortly for the time of this measurement.
- Communication protocol Modbus is not available
- When using the UMB protocol a certain request sequence and timing is required (s. Chap. 19.3.7). The interval length must be at least 15sec to make sure that the measurement and transmission cycle can be completed. Shorter interval could cause the device to stay in transmission state without starting a new measurement.
- The joint operation with other sensors in an UMB network is possible, but it has to be considered that each telegram (even when addressed to another device) will cause the Smart Weather Sensor to wake up for at least several seconds, thus increasing the total power consumption. The minimum interval length must be hold up under consideration of the telegrams with other addresses. Mixed operation of devices in power saving mode 2 with devices in normal operation and fast request rates within the same UMB network is not possible.

### 10.5 Operating Modes for Equipment Heating

Heating is configured to 'Automatic' when the product is delivered. This is the recommended operating mode for heating the sensor.

You can set the following operating modes:

| Heater Mode | WS200-UMB | WS400-UMB | WS500-UMB | WS501-UMB*) | WS600-UMB**) | WS601-UMB |
|-------------|-----------|-----------|-----------|-------------|--------------|-----------|
| Automatic   | •         | •         | •         | •           | •            | •         |
| Off         | •         | •         | •         | •           | •            | •         |
| Mode 1      |           | •         | •         | •           | •            | •         |
| Eco-Mode 1  |           | •         |           |             | •            |           |

\*) is also valid for WS502-UMB, WS503-UMB, WS504-UMB, WS510-UMB

\*\*\*) is also valid for WS700-UMB



**Note:** Model WS30x-UMB and WS401-UMB are not heated.

The rain sensor and wind meter settings must be adjusted in the respective configuration mask. The examples show the wind meter setting.

#### 10.5.1 Automatic

In this operating mode, the sensor is maintained constantly at the control temperature, generally in order to prevent the effects of snow and ice.

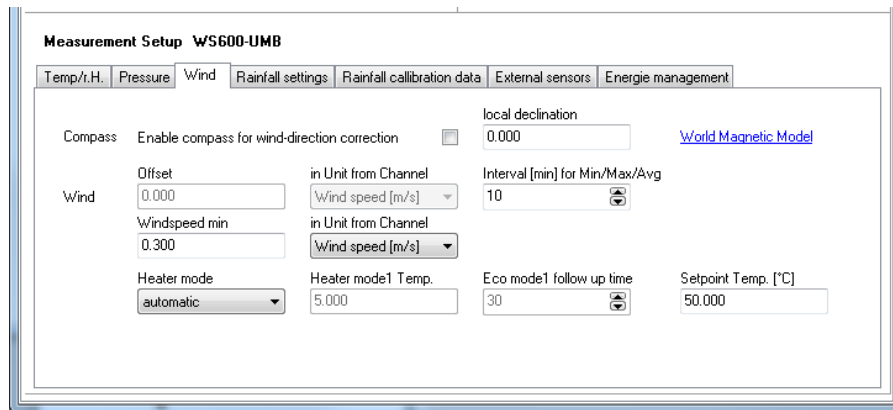


Figure 19: Operating Modes for Equipment Heating

**Setpoint Temp.:** The heating controls at this temperature (in °C)  
The settings for the other values are not relevant.

#### 10.5.2 Off

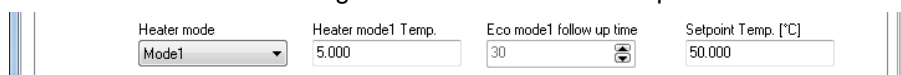
In the 'Off' operating mode heating is completely disabled. Winter operation is not possible in this operating mode because any icing might prevent the correct operation of the rain sensor or wind meter.



The value settings are not relevant.

#### 10.5.3 Mode 1

In 'Mode 1' operating mode heating is only enabled when the outside temperature falls below the HeatingMode1 temperature (in °C). In this mode power consumption can be reduced in frost-free situations with no great restriction on winter operation.



**Setpoint Temp.:** The heating controls at this temperature (in °C)

**Heating mode1 Temp.:** Threshold temperature (in °C) with effect from which air temperature heating is enabled

The 'Eco Mode1 follow-up time' setting is not relevant.

### 10.5.4 Eco-Mode 1

Eco Mode1 is an advanced energy saving mode.

Heating is only switched on when the following conditions are met:

- The outside temperature is below the threshold temperature and precipitation was detected. Heating then runs at the control temperature for 30 minutes (after the last precipitation event).
- When the outside temperature lies constantly below the threshold temperature and there was no heating for more than 20h, heating is switched on for 30 minutes as a precautionary measure in order to thaw any icing.

However, the precautionary 20h-heating only runs if the outside temperature was measured at below the threshold temperature for the entire period and conditions were constantly bright for at least 3 hours.

|                           |                             |                                |                               |
|---------------------------|-----------------------------|--------------------------------|-------------------------------|
| Heater mode<br>Eco-Mode 1 | Heater mode1 Temp.<br>5.000 | Eco mode1 follow up time<br>30 | Setpoint Temp. [°C]<br>50.000 |
|---------------------------|-----------------------------|--------------------------------|-------------------------------|

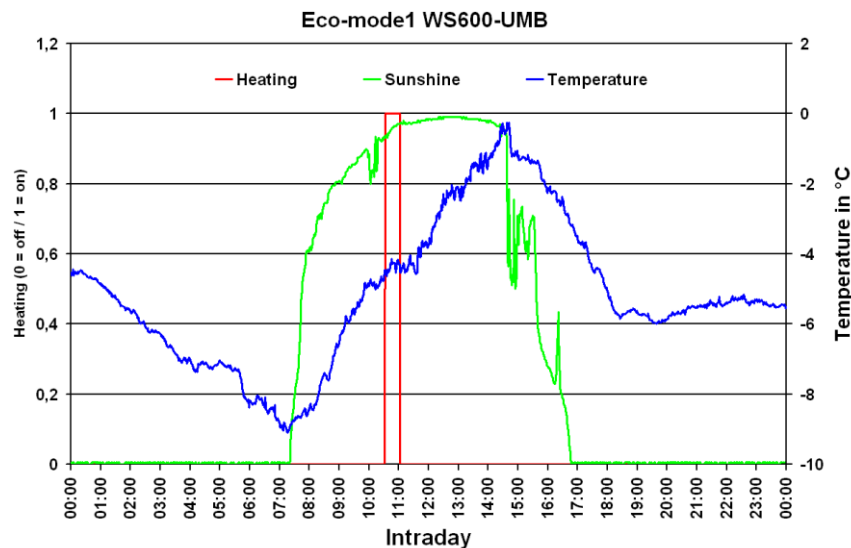
Setpoint Temp.: The heating controls at this temperature (in °C)

Heating mode1 Temp.: Threshold temperature (in °C) with effect from which heating is enabled

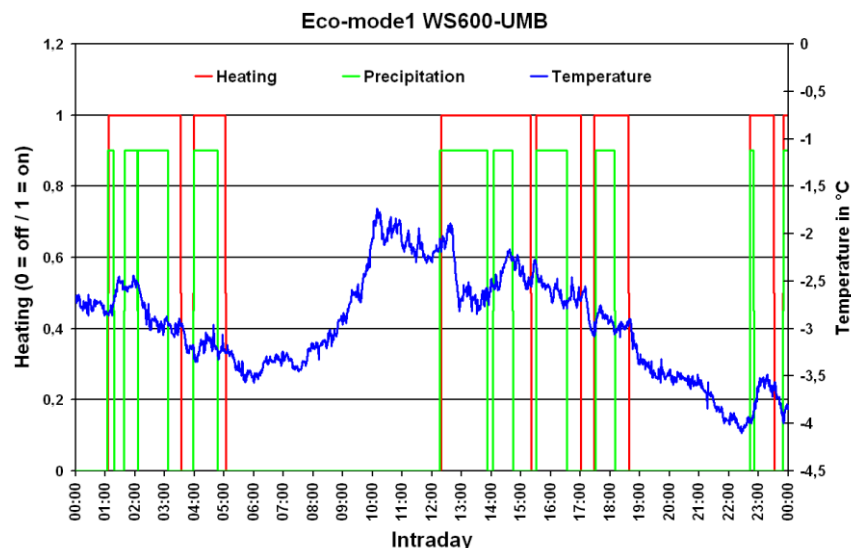
Eco mode1 follow-up time: Follow-up time (in minutes)

#### Examples:

Outside temperature constantly below 5°C; no precipitation for more than 24h



Outside temperature constantly below 5°C; with precipitation



## 11 Firmware Update

To keep the sensor in accordance with the latest state-of-the-art, it is possible to carry out a firmware update on site with no need to remove the sensor and return it to the manufacturer. The firmware update is carried out with the aid of the UMB-Config-Tool.

The description of the firmware update can be found in the instructions for the UMB-Config-Tool. Please download the latest firmware and UMB-Config-Tool from our website [www.lufft.com](http://www.lufft.com) and install it on a Windows® PC. You can find the instructions here:



**Note:** When a firmware update takes place, under certain circumstances the absolute precipitation quantities are reset (channel 600 – 660).

There is one firmware for the entire product family which supports all models (WSx\_Release\_Vxx.mot).



**Important Note:** please read the included text file in WSx\_Release\_Vxx.zip; it contains important information about the update!

## 12 Maintenance

In principle the equipment is maintenance-free.

However, it is recommended to carry out a functional test on an annual basis. When doing so, pay attention to the following points:

- Visual inspection of the equipment for soiling
- Check the sensors by carrying out a measurement request
- Check the operation of the fan (not on WS200-UMB)

In addition, an annual calibration check by the manufacturer is recommended for the humidity sensor (not on WS200-UMB). It is not possible to remove or replace the humidity sensor. The complete Smart Weather Sensor must be sent to the manufacturer for testing.

Cleaning of the glass dome at regular intervals is suggested for devices with global radiation measurement. The length of the interval should be adapted to the local degree of pollution.

Devices with precipitation measurement by rain gauge (WS401-UMB, WS601-UMB): The rain gauge funnel needs to be cleaned at regular intervals (see below). The length of the interval should be adapted to the local degree of pollution.

Devices with leaf wetness sensor: Cleaning of the leaf wetness sensor at regular intervals is suggested. The length of the interval should be adapted to the local degree of pollution. A check and, if necessary, adjustment of the "Wet" threshold is recommended to include into the maintenance procedure.



### 12.1 Maintenance of the Rain Gauge

The function of the rain gauge will be significantly influenced by pollution of the funnel or the tipping bucket mechanism. Regular check and, if necessary, cleaning is required. The maintenance interval depends very much on local conditions and also on seasons (leaves, pollen, etc.) and therefore cannot be exactly defined here (it may be in the range of weeks).

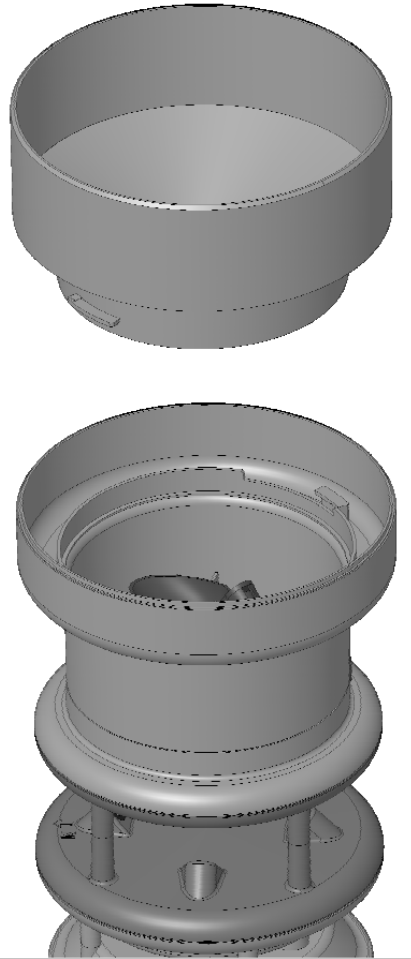


Figure 20: WS601-UMB  
with removed funnel

- Only clean when obviously polluted
- Avoid moving the tipping mechanism (otherwise wrong counts will occur)
- Use water, soft cloth and / or a soft brush for cleaning
- Unlock funnel by turning it to the left and lift it off
- Clean funnel, specially the sieve slots
- Check the inside of the rain gauge module for pollution, especially for spider webs and insects, if necessary, clean it
- Check tipping bucket for pollution, if necessary wash carefully with clean water. Caution: each movement of the bucket generates a counting pulse and thus may cause faulty precipitation amounts
- Check water drain, clean if necessary
- Put funnel back in place and lock it by turning it to the right

## 13 Technical Data

Power supply: 24VDC +/- 10%  
 12VDC with restrictions (see page 25)  
 Device version >= 037: 4 ... 32V DC  
 Limitations apply in case of supply voltage  
 less than 12V (see p. 25 f.)

Current consumption – sensor; values for devices prior to version 037 in brackets:

| Mode <sup>1</sup><br>Supply | Standard<br>24VDC <sup>2</sup> |        | Power Saving Mode 1 |       | Power Saving Mode 2 |       |
|-----------------------------|--------------------------------|--------|---------------------|-------|---------------------|-------|
|                             | 24VDC                          | 12VDC  | 24VDC               | 12VDC | 24VDC               | 12VDC |
| WS200-UMB                   | 16 mA                          | 25 mA  | 15 mA               | 24 mA | 1 (4) mA            | 2 mA  |
| WS300-UMB                   | 135 mA                         | 70 mA  | 7 mA                | 7 mA  | 1 (4) mA            | 2 mA  |
| WS301-UMB                   | 135 mA                         | 70 mA  | 8 mA                | 8 mA  | 1 (4) mA            | 2 mA  |
| WS302-UMB                   |                                |        |                     |       |                     |       |
| WS303-UMB                   |                                |        |                     |       |                     |       |
| WS304-UMB                   |                                |        |                     |       |                     |       |
| WS310-UMB                   |                                |        |                     |       |                     |       |
| WS400-UMB                   | 160 mA                         | 110 mA | 7 mA                | 7 mA  | --                  | --    |
| WS401-UMB                   | 130 mA                         | 65 mA  | 6 mA                | 6 mA  | 1 (4) mA            | 2 mA  |
| WS500-UMB                   | 140 mA                         | 85 mA  | 16 mA               | 25 mA | 1 (4) mA            | 2 mA  |
| WS501-UMB                   | 145 mA                         | 85 mA  | 16 mA               | 25 mA | 1 (4) mA            | 2 mA  |
| WS502-UMB                   |                                |        |                     |       |                     |       |
| WS503-UMB                   |                                |        |                     |       |                     |       |
| WS504-UMB                   |                                |        |                     |       |                     |       |
| WS510-UMB                   |                                |        |                     |       |                     |       |
| WS600-UMB                   | 160 mA                         | 130 mA | 16 mA               | 25 mA | --                  | --    |
| WS700-UMB                   |                                |        |                     |       |                     |       |
| WS601-UMB                   | 140 mA                         | 85 mA  | 15 mA               | 24 mA | 1 (4) mA            | 2 mA  |

Current consumption and power input - heating:

|                                 |                        |
|---------------------------------|------------------------|
| WS200-UMB                       | 833 mA / 20VA at 24VDC |
| WS400-UMB                       | 833 mA / 20VA at 24VDC |
| WS500-UMB, WS501-UMB, WS502-UMB | 833 mA / 20VA at 24VDC |
| WS503-UMB, WS504-UMB, WS510-UMB |                        |
| WS600-UMB, WS700-UMB            | 1,7 A / 40VA at 24VDC  |
| WS601-UMB                       | 833mA / 20VA at 24VDC  |

Dimensions including mounting bracket:

|           |                       |
|-----------|-----------------------|
| WS200-UMB | Ø 150mm, height 194mm |
| WS300-UMB | Ø 150mm, height 223mm |
| WS301-UMB | Ø 150mm, height 268mm |
| WS302-UMB | Ø 150mm, height 253mm |
| WS303-UMB | Ø 150mm, height 328mm |
| WS304-UMB | Ø 150mm, height 313mm |
| WS310-UMB | Ø 150mm, height 311mm |
| WS400-UMB | Ø 150mm, height 279mm |
| WS401-UMB | Ø 164mm, height 380mm |
| WS500-UMB | Ø 150mm, height 287mm |
| WS501-UMB | Ø 150mm, height 332mm |
| WS502-UMB | Ø 150mm, height 377mm |
| WS503-UMB | Ø 150mm, height 392mm |
| WS504-UMB | Ø 150mm, height 317mm |
| WS510-UMB | Ø 150mm, height 376mm |
| WS600-UMB | Ø 150mm, height 343mm |
| WS601-UMB | Ø 164mm, height 445mm |
| WS700-UMB | Ø 150mm, height 344mm |

<sup>1</sup> Description of operating modes, see page 35

<sup>2</sup> Factory default, recommended setting

## Weight including mounting bracket, excluding connection cable:

|   |            |
|---|------------|
| WS200-UMB   | ca. 0.8 kg |
| WS300-UMB   | ca. 1.0 kg |
| WS400-UMB, WS301-UMB, WS302-UMB,<br>WS303-UMB, WS304-UMB, WS310-UMB | ca. 1.3 kg |
| WS401-UMB   | ca. 1.5 kg |
| WS500-UMB   | ca. 1.2 kg |
| WS600-UMB, WS501-UMB, WS502-UMB,<br>WS503-UMB, WS504-UMB, WS700-UMB | ca. 1.5 kg |
| WS510-UMB   |            |
| WS601-UMB   | ca. 1.7 kg |

Fastening: Stainless steel mast bracket for Ø 60 - 76mm

Protection class: III (SELV)

Protection type: IP66

## Storage Conditions

Permissible storage temperature: -50°C ... +70°C

Permissible relative humidity: 0 ... 100% RH

## Operating Conditions

Permissible operating temperature: -50°C ... +60°C

Permissible relative humidity: 0 ... 100% RH

Permissible altitude above sea level: N/A

## RS485 interface, 2 wire, half-duplex

Data bits: 8 (SDI-12 mode: 7)

Stop bit: 1

Parity: No (SDI-12 mode: even, Modbus mode none or even)

Tri-state: 2 bits after stop bit edge

Adjustable baud rates: 1200, 2400, 4800, 9600, 14400, 19200<sup>3</sup>, 28800, 57600

(In SDI-12 mode, the interface is changed to meet the requirements of the standard.)

Housing: Plastic (PC)

<sup>3</sup>Factory setting; baud rate for operation with ISOCON-UMB and firmware update.

## 13.1 Measuring Range / Accuracy

### 13.1.1 Air temperature

|                      |  |
|----------------------|--|
| Measurement process: | NTC  |
| Measuring range:     | -50°C ... +60°C  |
| Resolution:          | 0.1°C (-20°C...+50°C), otherwise 0.2°C                   |
| Sensor accuracy:     | +/- 0.2°C (-20°C ... +50°C), otherwise +/-0.5°C (>-30°C) |
| Sampling rate:       | 1 minute   |
| Units:               | °C; °F   |

### 13.1.2 Humidity

|                      |                               |
|----------------------|-------------------------------|
| Measurement process: | Capacitive                    |
| Measuring range:     | 0 ... 100% RH                 |
| Resolution:          | 0.1% RH                       |
| Accuracy:            | +/- 2% RH                     |
| Sampling rate:       | 1 minute                      |
| Units:               | % RH; g/m <sup>3</sup> ; g/kg |

### 13.1.3 Dewpoint Temperature

|                      |   |
|----------------------|---|
| Measurement process: | Passive, calculated from temperature and humidity |
| Measuring range:     | -50°C ... +60°C                                   |
| Resolution:          | 0.1°C   |
| Accuracy:            | Computed +/- 0.7°C                                |
| Units:               | °C; °F  |

### 13.1.4 Air Pressure

|                      |                          |
|----------------------|--------------------------|
| Measurement process: | MEMS sensor - capacitive |
| Measuring range:     | 300 ... 1200hPa          |
| Resolution:          | 0.1hPa                   |
| Accuracy:            | +/- 0.5hPa (0 ... +40°C) |
| Sampling rate:       | 1 minute                 |
| Unit:                | hPa                      |

### 13.1.5 Wind Speed

|                      |  |
|----------------------|--|
| Measurement process: | Ultrasonic                                       |
| Measuring range:     | 0 ... 75m/s (WS601-UMB: 0 ... 30m/s)             |
| Resolution:          | 0.1m/s   |
| Accuracy:            | ±0.3 m/s or ±3% (0...35 m/s)<br>±5% (>35m/s) RMS |
| Response threshold:  | 0.3 m/s  |
| Sampling rate:       | 10 seconds / 1 second with restrictions          |
| Units:               | m/s; km/h; mph; kts                              |

### 13.1.6 Wind Direction

|                      |   |
|----------------------|---|
| Measurement process: | Ultrasonic                              |
| Measuring range:     | 0 – 359.9°                              |
| Resolution:          | 0.1°                                    |
| Accuracy:            | < 3° (> 1m/s) RMSE                      |
| Response threshold:  | 0.3 m/s                                 |
| Sampling rate:       | 10 seconds / 1 second with restrictions |

### 13.1.7 Precipitation

#### 13.1.7.1 WS400-UMB / WS600-UMB

|                                  |  |
|----------------------------------|--|
| Measurement process:             | Radar sensor                                   |
| Measuring range (drop size):     | 0.3 mm ... 5.0 mm                              |
| Liquid precipitation resolution: | 0.01 mm  |
| Precipitation types:             | Rain, snow                                     |
| Repeatability:                   | Typically > 90%                                |
| Response threshold:              | 0.002 mm                                       |
| Sampling rate:                   | Event-dependent on reaching response threshold |
| Precipitation intensity:         | 0 ... 200 mm/h; Sampling rate 1 minute         |

#### 13.1.7.2 WS401-UMB / WS601-UMB

|                                  |   |
|----------------------------------|---|
| Measurement process:             | Rain Gauge                                    |
| Liquid precipitation resolution: | 0.2 mm / 0.5mm (adjustable by reduction ring) |
| Precipitation types:             | Rain  |
| Accuracy:                        | 2%  |
| Sampling rate:                   | 1 minute                                      |

### 13.1.8 Compass

|                      |                               |
|----------------------|-------------------------------|
| Measurement process: | Integrated electronic compass |
| Measurement range:   | 0 ... 359°                    |
| Resolution:          | 1.0°                          |
| Accuracy:            | +/- 10°                       |
| Sampling rate:       | 5 minutes                     |

### 13.1.9 Global Radiation

|                     |                                 |
|---------------------|---------------------------------|
| Measurement Process | Thermopile pyranometer          |
| Measurement Range   | 0.0 ... 1400.0 W/m <sup>2</sup> |
| Resolution          | < 1W/m <sup>2</sup>             |
| Sampling Rate       | 10 seconds                      |

#### 13.1.9.1 WS301-UMB / WS501-UMB

|  |                      |
|--|----------------------|
| Response time (95%)                                    | 18s                  |
| Non-stability(change/year)                             | <1%                  |
| Non-linearity (0 to 1000 W/m <sup>2</sup> )            | <1%                  |
| Directional error (at 80° with 1000 W/m <sup>2</sup> ) | <20 W/m <sup>2</sup> |
| Temperature dependence of sensitivity                  | <5% (-10 to +40°C)   |
| Tilt error (at 1000 W/m <sup>2</sup> )                 | <1%                  |
| Spectral range (50% points)                            | 300 ... 2800nm       |

#### 13.1.9.2 WS302-UMB / WS502-UMB / WS700-UMB

|                             |                |
|-----------------------------|----------------|
| Response time (95%)         | <1s            |
| Spectral range (50% points) | 300 ... 1100nm |

#### 13.1.9.3 WS310-UMB / WS510-UMB

|  |                      |
|--|----------------------|
| Response time (95%)                                    | 5s                   |
| Non-stability(change/year)                             | <0.5%                |
| Non-linearity (0 to 1000 W/m <sup>2</sup> )            | <0.2%                |
| Directional error (at 80° with 1000 W/m <sup>2</sup> ) | <10 W/m <sup>2</sup> |
| Temperature dependence of sensitivity                  | <1% (-10 to +40°C)   |
| Tilt error (at 1000 W/m <sup>2</sup> )                 | <0.2%                |
| Spectral range (50% points)                            | 285 ... 2800nm       |

**13.1.10 Leaf Wetness WLW100**

|                      |               |
|----------------------|---------------|
| Measurement process: | capacitive    |
| Measuring range:     | 0 ... 1500 mV |
| Sampling rate:       | 1 minute      |

**13.1.11 External Temperature Sensor WT1 / WST1**

|                      |   |
|----------------------|---|
| Measurement process: | NTC   |
| Measuring range:     | -40°C ... +80°C                                 |
| Resolution:          | 0.25°C  |
| Sensor accuracy:     | +/- 1°C (WST1: +/-0.3°C between -10°C ...+10°C) |
| Sampling rate:       | 1 minute  |
| Units:               | °C; °F  |

**13.1.12 External Rain Gauge WTB100**

|                                  |  |
|----------------------------------|--|
| Measurement process:             | Rain Gauge with bounce-free reed contact (normally closed) |
| Liquid precipitation resolution: | 0.2 mm / 0.5mm (adjustable by reduction ring)              |
| Precipitation types:             | Rain   |
| Accuracy:                        | 2%   |
| Sampling rate:                   | 1 minute   |

In principle, all rain sensors with bounce-free reed contact (normally open or normally closed) and with a resolution of 0.1 mm, 0.2 mm, 0.5 mm or 1.0 mm can be used.

13.2 Drawings

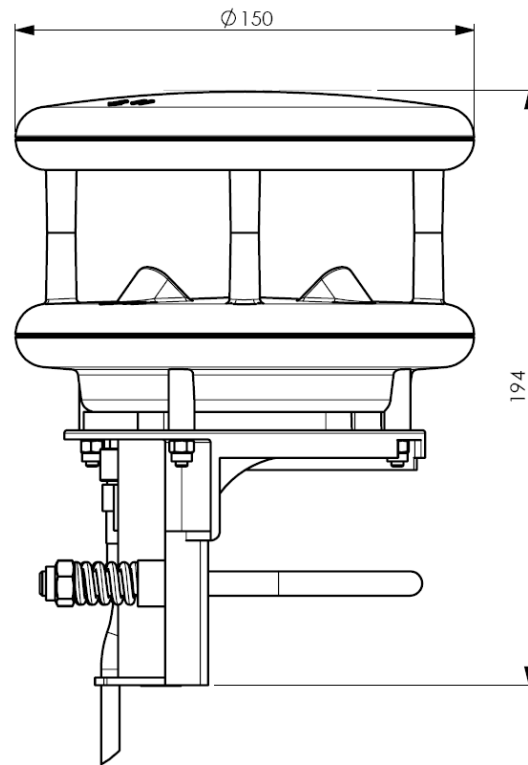


Figure 21: WS200-UMB

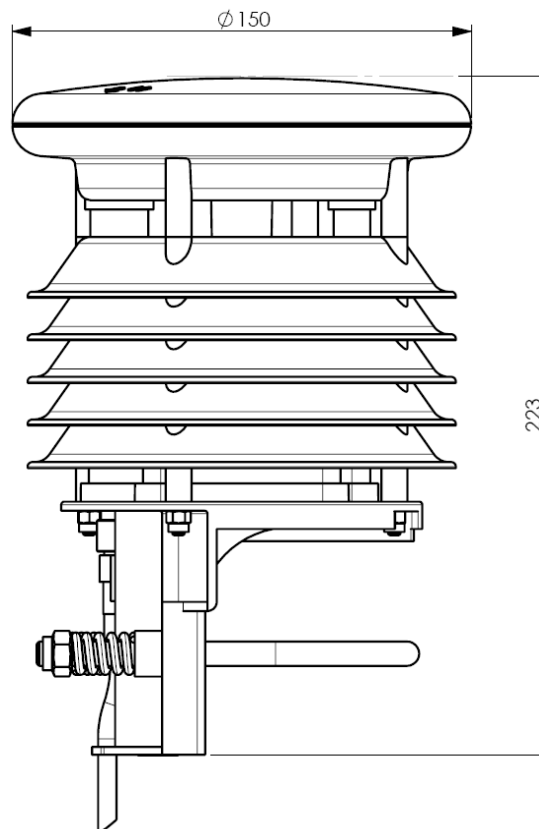


Figure 22: WS300-UMB

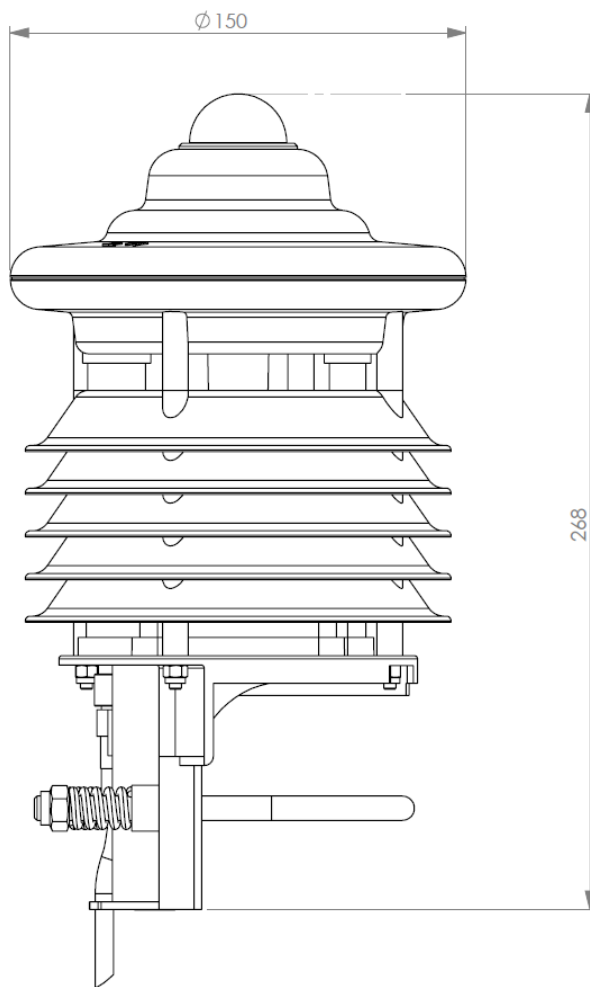


Figure 23: WS301-UMB

WS302-UMB, WS303-UMB und WS304-UMB are similar.



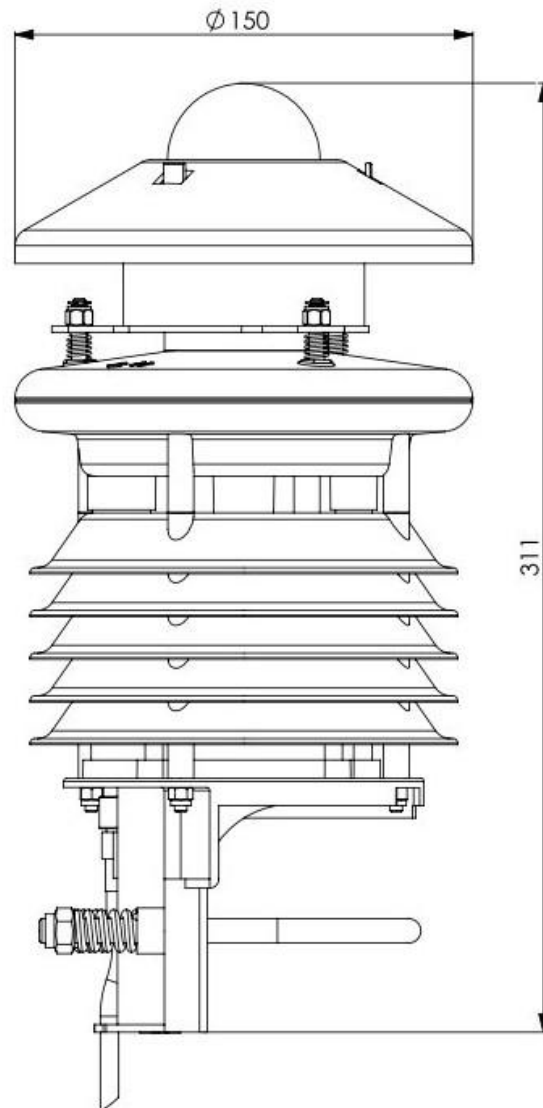


Figure 24: WS310-UMB

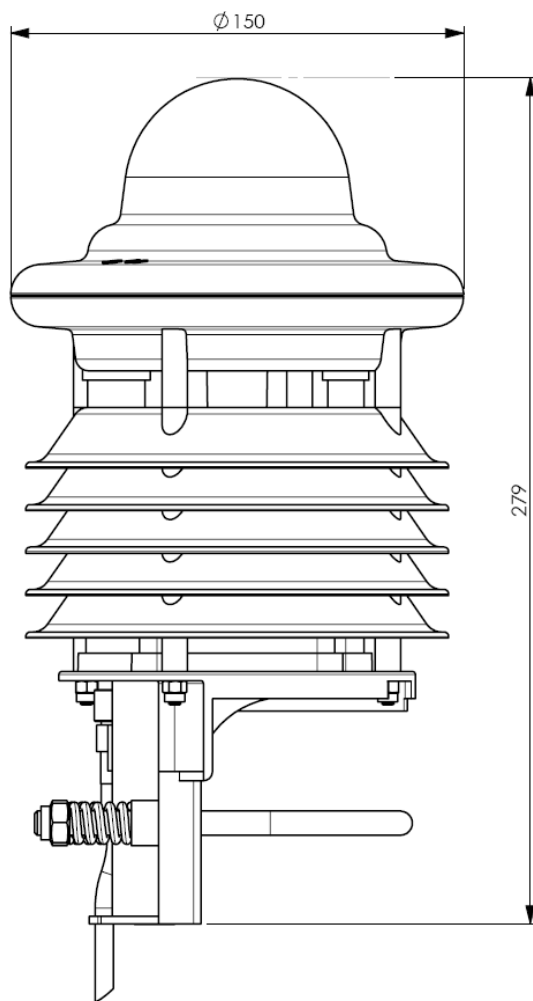


Figure 25: WS400-UMB

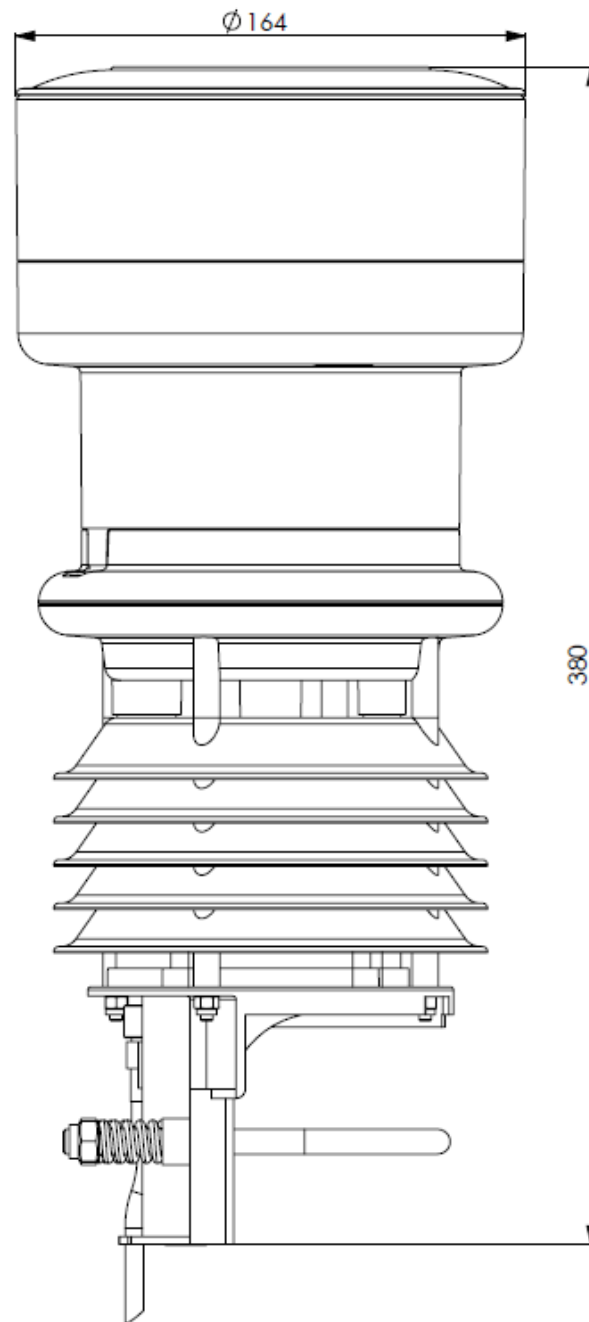


Figure 26: WS401-UMB

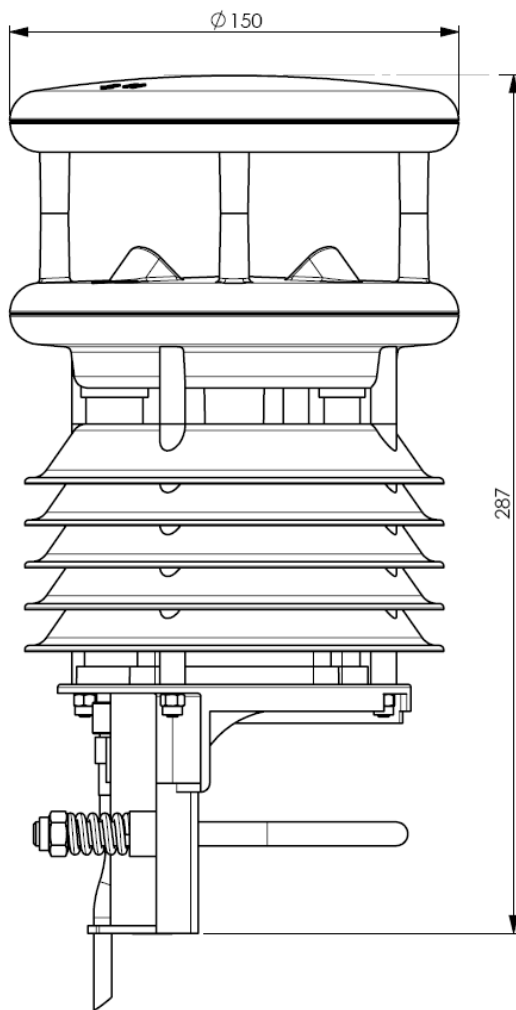


Figure 27: WS500-UMB

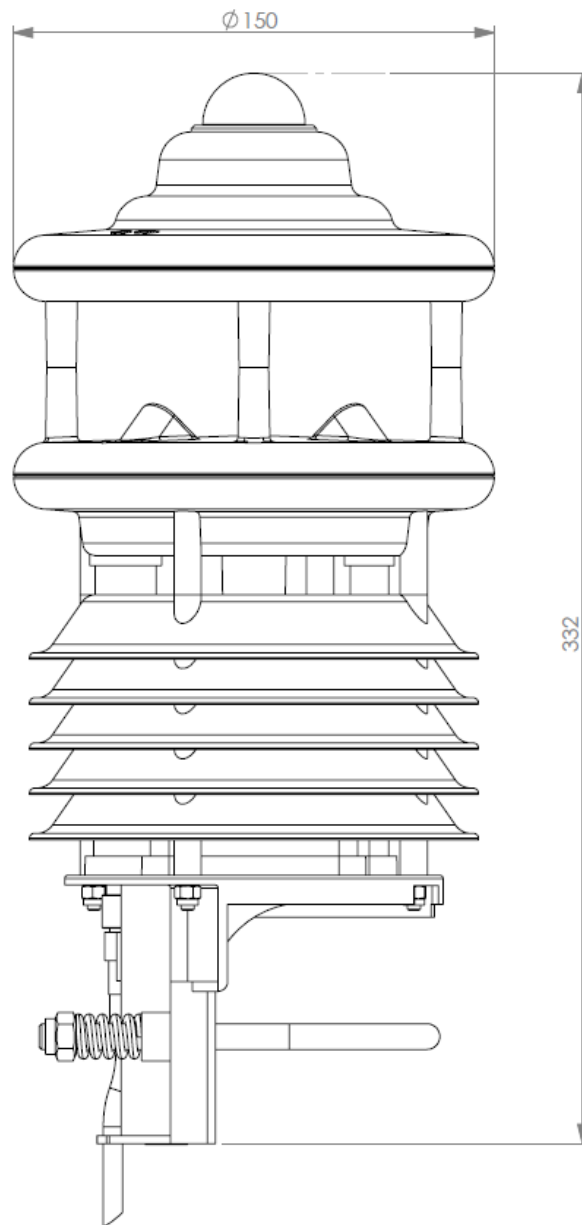


Figure 28: WS501-UMB

WS502-UMB, WS503-UMB und WS504-UMB are similar.

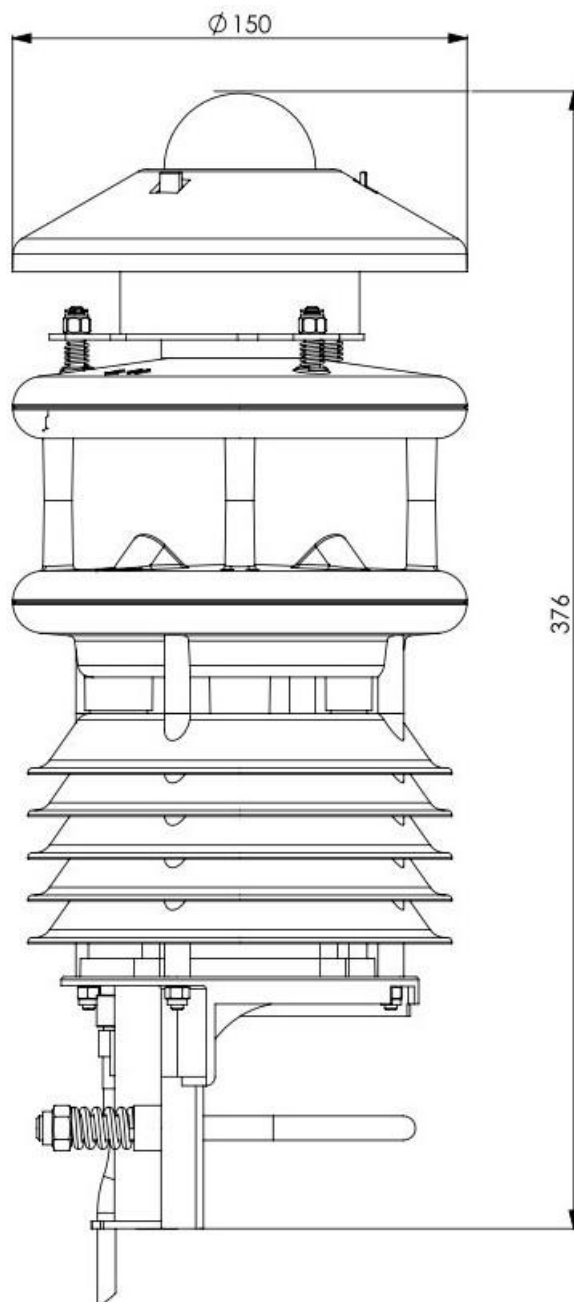


Figure 29: WS510-UMB

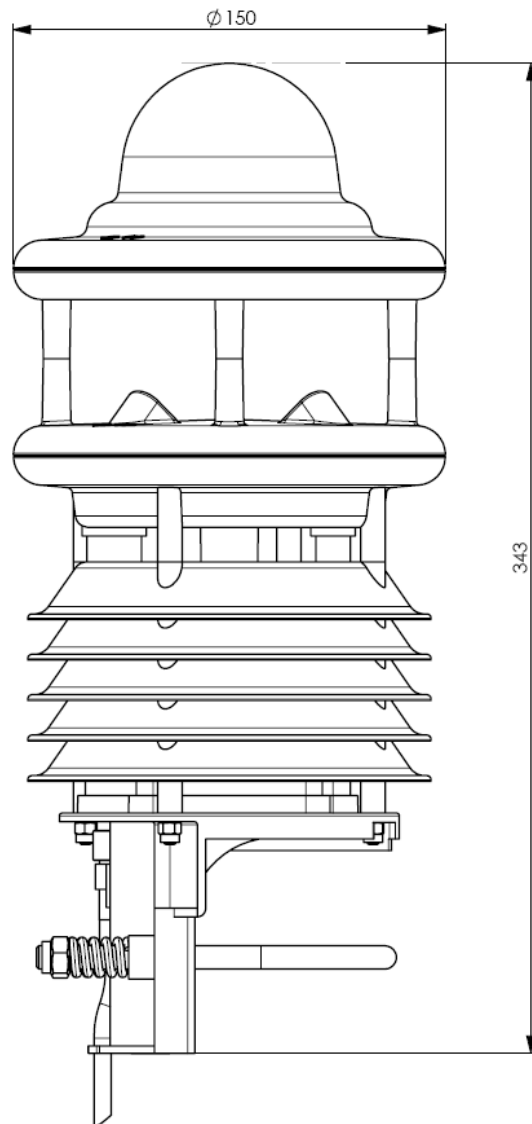


Figure 30: WS600-UMB

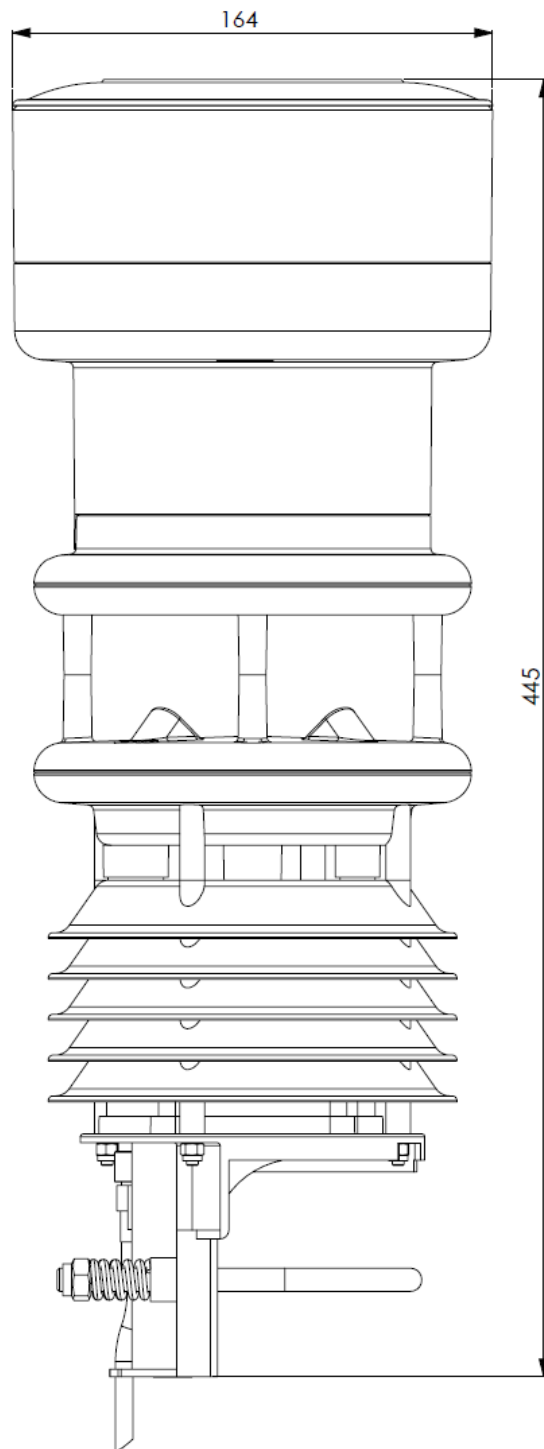


Figure 31: WS601-UMB



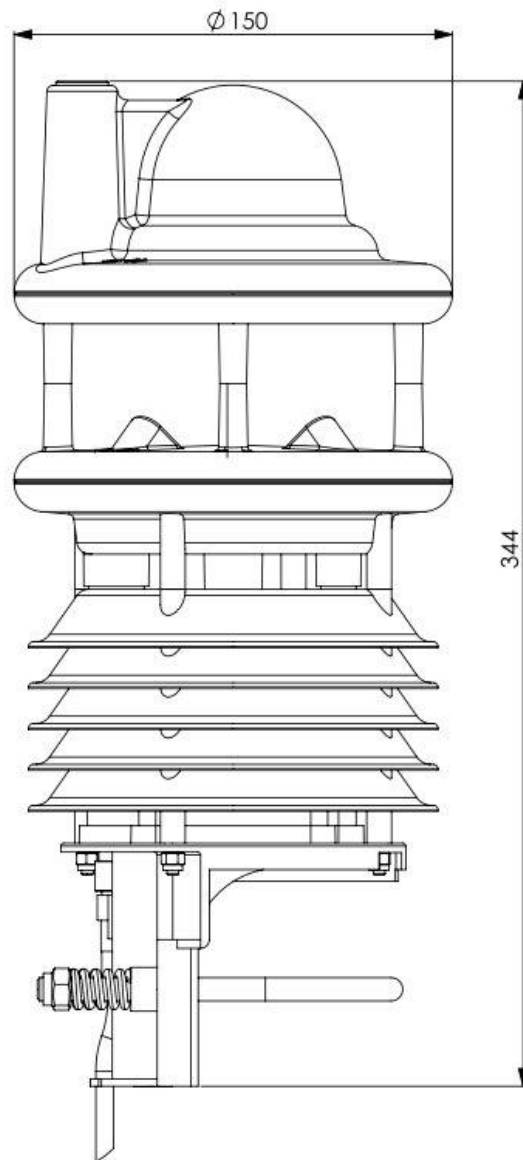


Figure 32: WS700-UMB

## 14 EC Certificate of Conformity

**Product:** Smart Weather Sensor

**Type:** WS200-UMB (Order No.: 8371.U01)  
 WS300-UMB (Order No.: 8372.U01)  
 WS301-UMB (Order No.: 8374.U01)  
 WS302-UMB (Order No.: 8374.U10)  
 WS303-UMB (Order No.: 8374.U11)  
 WS304-UMB (Order No.: 8374.U12)  
 WS310-UMB (Order No.: 8374.U13)  
 WS400-UMB (Order No.: 8369.U01 / 8369.U02)  
 WS401-UMB (Order No.: 8377.U01)  
 WS500-UMB (Order No.: 8373.U01)  
 WS501-UMB (Order No.: 8375.U01)  
 WS502-UMB (Order No.: 8375.U10)  
 WS503-UMB (Order No.: 8375.U11)  
 WS504-UMB (Order No.: 8375.U12)  
 WS510-UMB (Order No.: 8375.U13)  
 WS600-UMB (Order No.: 8370.U01 / 8370.U02)  
 WS601-UMB (Order No.: 8376.U01)  
 WS700-UMB (Order No.: 8380.U01)

We herewith certify that the above mentioned equipment complies in design and construction with the Directives of the European Union and specifically the EMC Directive in accordance with 2004/108/EC and the RoHS Directive 2011/65/EU.

The above mentioned equipment conforms to the following specific EMC Standards:

### EN 61000-6-2:2005Part 6-2: Generic Standards - Immunity for Industrial Environments

|                         |   |
|-------------------------|---|
| EN 61000-4-2 (2009-12)  | ESD   |
| EN 61000-4-3 (2011-04)  | Radiated electromagnetic field                            |
| EN 61000-4-4 (2011-10)  | Burst   |
| EN 61000-4-5 (2007-06)  | Surge   |
| EN 61000-4-6 (2009-12)  | Conducted disturbances, induced by radio-frequency fields |
| EN 61000-4-8 (2010-11)  | Power frequency magnetic field immunity                   |
| EN 61000-4-16 (2011-09) | conducted, common mode disturbances                       |
| EN 61000-4-29 (2001-10) | Short interruptions and voltage variations on d.c. input  |

### EN 61000-6-3:2007Part 6-4: Generic Standards - Emission Standard for Industrial Environments

|  |                             |
|--|-----------------------------|
| EN 55011:2009 + A1:2010 (2011-04)              | Line-conducted disturbances |
| IEC / CISPR 11:2009 and changes 1:2010 Class B |                             |
| prEN 50147-3:2000                              | Radiated emission           |



Fellbach, 20.09.2013

Axel Schmitz-Hübsch

## 15 Fault Description

| Error description   | Cause - Remedy  |
|---|---|
| Device does not allow polling / does not respond                              | <ul style="list-style-type: none"> <li>- Check power supply</li> <li>- Check interface connection</li> <li>- Incorrect device ID → check ID; devices are delivered with ID 1.</li> </ul>  |
| The device measures precipitation but it is not raining                       | Check that the sensor was installed correctly in accordance with the instructions.  |
| The measured temperature appears too high / measured humidity appears too low | Check the operation of the fan on the underside of the device.  |
| Wind direction values are incorrect   | Device is not correctly aligned → check that the device is aligned to the North.  |
| Device transmits error value 24h (36d)  | A channel is being polled that is not available on this device type; e.g. Channel 200 = humidity is being polled on a WS200-UMB.  |
| Device transmits error value 28h (40d)  | The device is in the initialization phase following startup → the device delivers measurements after approx. 10 seconds.  |
| Device transmits error value 50h (80d)  | The device is being operated above the limit of the specified measuring range.  |
| Device transmits error value 51h (81d)  | The device is being operated below the limit of the specified measuring range.  |
| Device transmits error value 55h (85d) during wind measurement                | <p>The device is unable to execute a valid measurement due to the ambient conditions. This may be due to the following reasons:</p> <ul style="list-style-type: none"> <li>- The device is being operated well above the limit of the specified measuring range</li> <li>- Very strong horizontal rain or snow</li> <li>- The wind meter sensors are very dirty → clean sensor</li> <li>- The wind meter sensors are iced over → check heating mode in the configuration and check heating function / connection</li> <li>- There are foreign objects within the measuring section of the wind meter</li> <li>- One of the wind meter's sensors is faulty → return device to manufacturer for repair</li> </ul> |
| The quality of the wind measurement is not always 100%                        | <p>In normal operation the device should always transmit 90 – 100%. Values up to 50% do not represent a general problem.</p> <p>When the error value 55h (85d) is transmitted this value is 0%.</p> <p>If the device permanently transmits values below 50% this may mean that there is a fault.</p>  |
| Device transmits an error value not listed here                               | This may be due to a number of reasons → contact the manufacturer's technical support department.   |

## 16 Disposal

### 16.1 Within the EC

The device shall be disposed of in accordance with European Directives 2002/96/EC and 2003/108/EC (waste electrical and electronic equipment).

### 16.2 Outside the EC

Please comply with the applicable regulations for the proper disposal of waste electrical and electronic equipment in your respective country.

## 17 Repair / Corrective Maintenance

Please arrange for any faulty equipment to be checked and, if necessary, repaired by the manufacturer exclusively. Do not open the equipment and do not under any circumstances attempt to carry out your own repairs.

In matters of guarantee or repair please contact:

### **G. Lufft Mess- und Regeltechnik GmbH**

Gutenbergstraße 20  
70736 Fellbach

P.O. Box 4252  
70719 Fellbach

Germany

Phone: +49 711 51822-0

Hotline: +49 711 51822-52

Fax: +49 711 51822-41

E-mail: [info@lufft.de](mailto:info@lufft.de)

or your local distributor.

### 17.1 Technical Support

Our Hotline is available for technical questions via the following e-mail address:

[hotline@lufft.de](mailto:hotline@lufft.de)

You can also consult frequently asked questions at <http://www.lufft.com/> (menu header: SUPPORT / FAQs).

## 18 External Sensors

### 18.1 Leaf Wetness Sensor WLW100

#### 18.1.1 Connection of the Leaf Wetness Sensor

The optional leaf wetness sensor is connected inside the rain gauge module. The cable should not be shortened and be connected with the cable shoes as delivered to avoid contact corrosion.

- Unlock funnel by turning it left and lift it off
- Insert cable (A)
- Connect wires with cable shoes (B)

|       |   |
|-------|---|
| Blank | 1 |
| Red   | 2 |
| White | 3 |
- Check that the tipping bucket is free to move; if necessary pull the cable back to the appropriate length
- Put funnel back in place and lock it by turning it to the right

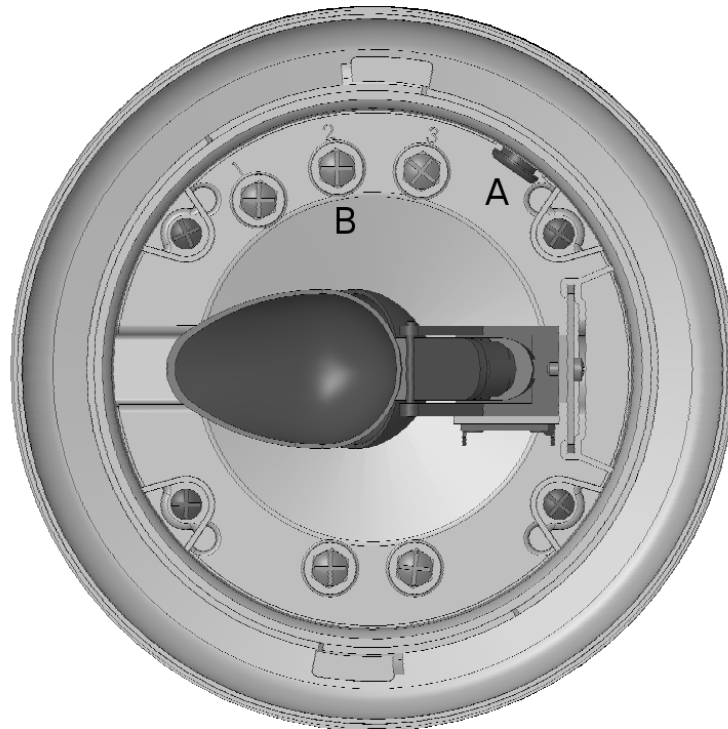


Figure 33: Connection of the Leaf Wetness Sensor

### 18.1.2 Setting the Leaf Wetness Threshold

The leaf wetness sensor will, depending on the degree of wetness on the surface of the sensor leaf, output a voltage between ca. 500mV and 1200mV (UMB-Channel 710). The state wet / dry (UMB- Channel 711) is evaluated from this voltage using an adjustable threshold.

The threshold is pre-set to 580mV (factory setting). It should be checked after installation and, if necessary, adjusted.

Use the UMB Config Tool to measure channel 710 and collect values of the dry sensor for about 10min (see chapter 10.3 Function Test with UMB Config Tool).

The dry leaf value measured should be constant over the measurement interval. We recommend to set the threshold about 20mV higher than the dry leaf voltage:

Example: measured (dry leaf): 577mV threshold setting **597mV**

The threshold value thus evaluated is set into the configuration using the UMB Config Tool.

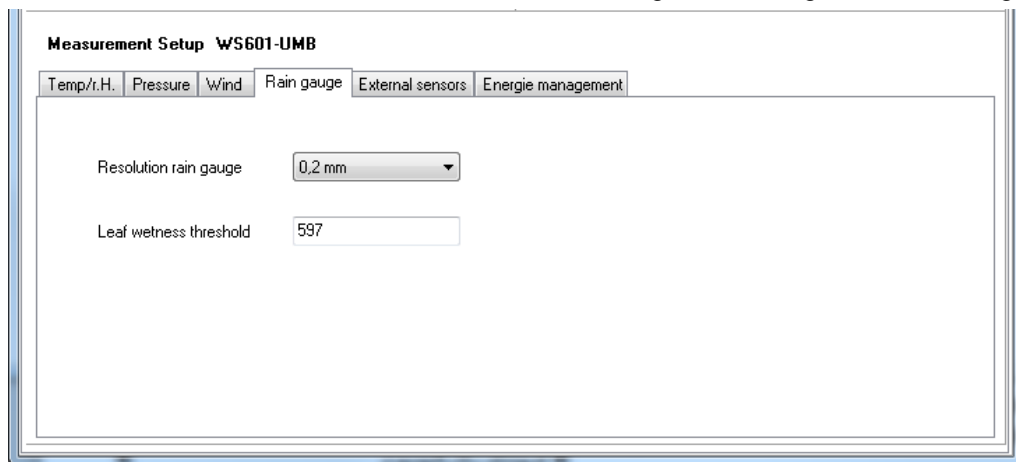


Figure 34: Setting the Leaf Wetness Threshold



**Note:** We recommend to check the threshold during maintenance and to adjust it if necessary. For the dry leaf measurement the sensor should be cleaned with clear water and carefully dried.

## 18.2 External Temperature and Precipitation Sensors

### 18.2.1 Connection of Temperature and Precipitation Sensors

Additional external sensor can cover the requirements of special measurement requirements or extend the functionality of Smart Weather Sensors.

Currently the accessory list includes external temperature sensors and the precipitation detection by tipping bucket rain gauge.

One input is available for this extension, so alternatively one temperature sensor or one precipitation sensor may be used.

The connection uses the standard connector plug of the Smart Weather Sensor, so normally the external device will be connected at the end of the cable included with the delivery, in the control cabinet. As this cable is part of the measuring line care shall be taken when designing the cabling to avoid parasitic coupling etc. The cable should be as short as possible. In special cases, e.g. when the external sensor is mounted near to the Smart Weather Sensor while the control cabinet is distant, the installation of an additional distribution box should be considered.

The external sensor is connected to pins 5 and 6 of the connector plug, i.e. the grey and pink wires of the standard cable.

All currently available sensors are unipolar, so the connection sequence is not relevant.

The Smart Weather Sensor must be configured for the selected type of external sensor (temperature or precipitation) to enable the correct evaluation of the measurement data. The selection of the sensor type is done through the UMB Config Tool.

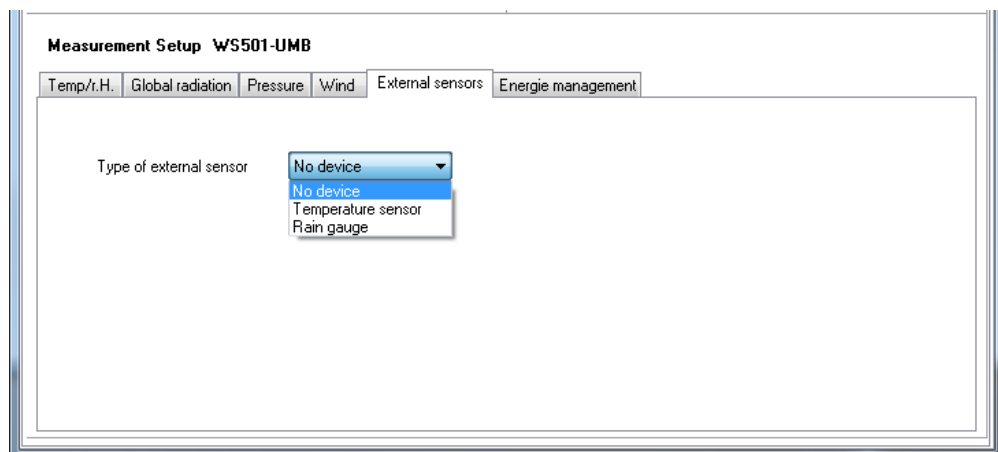


Figure 35: Setting type of external sensor

If the data from the channels of the sensor type currently not selected are requested, the device will respond with "invalid channel".

### 18.2.2 External Temperature Sensor

All models of the WS family can be used with an external temperature sensor.

For different application various types of NTC sensor are in supply:

- WT1 for temperature acquisition of devices and surfaces
- WST1 for mounting in the road surface (road surface temperature)

Mounting / installation of the temperature sensors is shown in the sensor manual.

### 18.2.3 External Rain Gauge

All models of the WS family without integrated precipitation detection can be used with an external rain gauge. Models WS400-UMB, WS600-UMB, WS401-UMB, WS601-UMB, WS700-UMB with R2S sensor resp. integrated tipping bucket **cannot** be equipped with an external rain gauge.

The measurement values of the external rain gauge are on the same channels as the data of the internal precipitation sensors of WS400-UMB, WS600-UMB, WS401-UMB, WS601-UMB and WS700-UMB.

The external rain gauge WTB100 uses the same technology as the integrated rain gauge of models WS401-UMB and WS601-UMB.

The resolution of the rain gauge WTB100 can be modified by the reduction ring delivered with the sensor from 0.2mm to 0.5mm.

In principle, all rain sensors with bounce-free reed contact (normally open or normally closed) and with a resolution of 0.1 mm, 0.2 mm, 0.5 mm or 1.0 mm can be used.



**Note:** To get the correct amount of rain this “mechanical” selection must be also be set in Smart Weather Sensors configuration.

The setting is done with the UMB Config Tool by the same procedure as with WS401-UMB and WS601-UMB (s. Chap.10.2.8).

The WS601/401-UMB’s advices for installation (Chap.7.3.4) and maintenance (Chap.12.1) are as well valid for the external rain gauge.

Example with WS501-UMB and WTB100 without reduction ring:

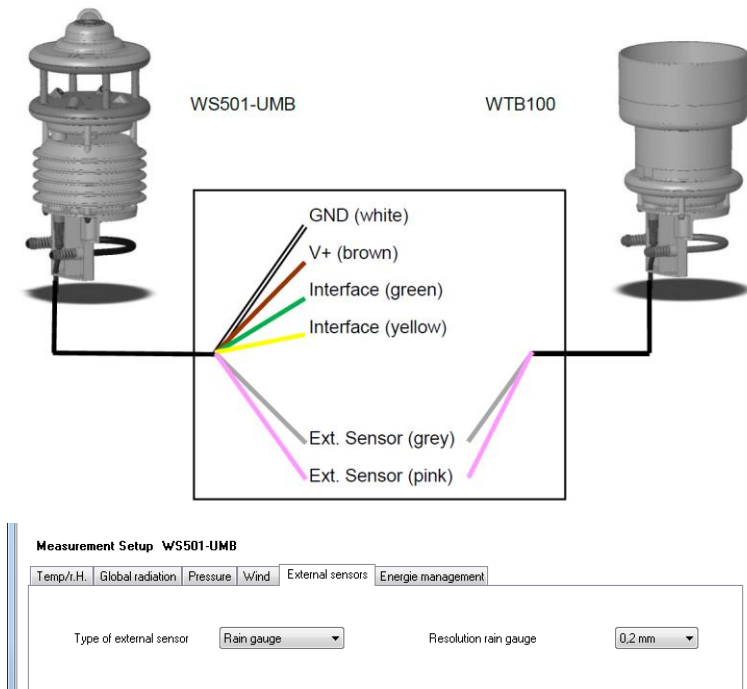


Figure 36: Example WS501-UMB and WTB100



## 19 Appendix

### 19.1 Channel List Summary

The channel assignment applies to online data requests in binary and ASCII protocol.

| UMB Channel         |     |     |     | special   | Measurement Variable<br>(float32) | Measuring Range |        |                   |
|---------------------|-----|-----|-----|-----------|-----------------------------------|-----------------|--------|-------------------|
| act                 | min | max | avg |           |                                   | min             | max    | unit              |
| <b>Temperatures</b> |     |     |     |           |                                   |                 |        |                   |
| 100                 | 120 | 140 | 160 |           | temperature                       | -50.0           | 60.0   | °C                |
| 105                 | 125 | 145 | 165 |           | temperature                       | -58.0           | 140.0  | °F                |
| 101                 |     |     |     |           | external temperature              | -40.0           | 80.0   | °C                |
| 106                 |     |     |     |           | external temperature              | -40.0           | 176.0  | °F                |
| 110                 | 130 | 150 | 170 |           | dewpoint                          | -50.0           | 60.0   | °C                |
| 115                 | 135 | 155 | 175 |           | dewpoint                          | -58.0           | 140.0  | °F                |
|                     |     |     |     |           |                                   |                 |        |                   |
| 111                 |     |     |     |           | wind chill temperature            | -60.0           | 70.0   | °C                |
| 116                 |     |     |     |           | wind chill temperature            | -76.0           | 158.0  | °F                |
|                     |     |     |     |           |                                   |                 |        |                   |
| 114                 |     |     |     |           | wet bulb temperature              | -50.0           | 60.0   | °C                |
| 119                 |     |     |     |           | wet bulb temperature              | -58.0           | 140.0  | °F                |
|                     |     |     |     |           |                                   |                 |        |                   |
| 112                 |     |     |     |           | wind heater temp.                 | -50.0           | 150.0  | °C                |
| 113                 |     |     |     |           | R2S heater temp.                  | -50.0           | 150.0  | °C                |
| 117                 |     |     |     |           | wind heater temp.                 | -58.0           | 302.0  | °F                |
| 118                 |     |     |     |           | R2S heater temp.                  | -58.0           | 302.0  | °F                |
| <b>Humidity</b>     |     |     |     |           |                                   |                 |        |                   |
| 200                 | 220 | 240 | 260 |           | relative humidity                 | 0.0             | 100.0  | %                 |
| 205                 | 225 | 245 | 265 |           | absolute humidity                 | 0.0             | 1000.0 | g/m <sup>3</sup>  |
| 210                 | 230 | 250 | 270 |           | mixing ratio                      | 0.0             | 1000.0 | g/kg              |
| <b>Enthalpy</b>     |     |     |     |           |                                   |                 |        |                   |
| 215                 |     |     |     |           | specific enthalpy                 | -100.0          | 1000.0 | kJ/kg             |
| <b>Pressure</b>     |     |     |     |           |                                   |                 |        |                   |
| 300                 | 320 | 340 | 360 |           | abs. air pressure                 | 300             | 1200   | hPa               |
| 305                 | 325 | 345 | 365 |           | rel. air pressure                 | 300             | 1200   | hPa               |
| <b>Air Density</b>  |     |     |     |           |                                   |                 |        |                   |
| 310                 |     |     |     |           | air density                       | 0.0             | 3.0    | kg/m <sup>3</sup> |
| <b>Wind</b>         |     |     |     |           |                                   |                 |        |                   |
|                     |     |     |     | vect. avg |                                   |                 |        |                   |
| 400                 | 420 | 440 | 460 | 480       | wind speed                        | 0               | 75.0   | m/s               |
| 405                 | 425 | 445 | 465 | 485       | wind speed                        | 0               | 270.0  | km/h              |
| 410                 | 430 | 450 | 470 | 490       | wind speed                        | 0               | 167.8  | mph               |
| 415                 | 435 | 455 | 475 | 495       | wind speed                        | 0               | 145.8  | kts               |
| 401                 |     |     |     |           | wind speed fast                   | 0               | 75.0   | m/s               |
| 406                 |     |     |     |           | wind speed fast                   | 0               | 270.0  | km/h              |
| 411                 |     |     |     |           | wind speed fast                   | 0               | 167.8  | mph               |
| 416                 |     |     |     |           | wind speed fast                   | 0               | 145.8  | kts               |
|                     |     |     |     |           |                                   |                 |        |                   |
| 403                 |     |     |     |           | wind speed standard deviation     | 0               | 75.0   | m/s               |
| 413                 |     |     |     |           | wind speed standard deviation     | 0               | 167.8  | mph               |
|                     |     |     |     |           |                                   |                 |        |                   |
| 500                 | 520 | 540 |     | 580       | wind direction                    | 0               | 359.9  | °                 |
| 501                 |     |     |     |           | wind direction fast               | 0               | 359.9  | °                 |
| 502                 |     |     |     |           | wind direction corr.              | 0               | 359.9  | °                 |
| 503                 |     |     |     |           | wind direction standard deviation | 0               | 359.0  | °                 |
| 805                 |     |     |     |           | wind value quality                | 0               | 100.0  | %                 |
| 806                 |     |     |     |           | wind value quality (fast)         | 0               | 100.0  | %                 |
| <b>Compass</b>      |     |     |     |           |                                   |                 |        |                   |
| 510                 |     |     |     |           | compass heading                   | 0               | 359    | °                 |

| Precipitation Quantity  |     |         |                                       |         | Range   | Unit                  |        |                  |
|-------------------------|-----|---------|---------------------------------------|---------|---|-----------------------|--------|------------------|
| 600                     |     | float32 | Precipitation Quantity - Absolute     |         | 0 ... 100000  | liters/m <sup>2</sup> |        |                  |
| 620                     |     | float32 | Precipitation Quantity - Absolute     |         | 0 ... 100000  | mm                    |        |                  |
| 640                     |     | float32 | Precipitation Quantity - Absolute     |         | 0 ... 3937  | inches                |        |                  |
| 660                     |     | float32 | Precipitation Quantity - Absolute     |         | 0 ... 3937008   | mil                   |        |                  |
| 605                     |     | float32 | Precipitation Quantity - Differential |         | 0 ... 100000  | liters/m <sup>2</sup> |        |                  |
| 625                     |     | float32 | Precipitation Quantity - Differential |         | 0 ... 100000  | mm                    |        |                  |
| 645                     |     | float32 | Precipitation Quantity - Differential |         | 0 ... 3937  | inches                |        |                  |
| 665                     |     | float32 | Precipitation Quantity - Differential |         | 0 ... 3937008   | mil                   |        |                  |
| Precipitation Type      |     |         |                                       |         |   |                       |        |                  |
| 700                     |     | uint7   | Precipitation Type                    |         | 0 = No precipitation<br>40 = unspecified precipitation<br>60 = Liquid precipitation, e.g. rain<br>70 = Solid precipitation, e.g. snow |                       |        |                  |
| Precipitation Intensity |     |         |                                       |         | Range   | unit                  |        |                  |
| 800                     |     | float32 | Precipitation Intensity               |         | 0 ... 200.0   | l/m <sup>2</sup> /h   |        |                  |
| 820                     |     | float32 | Precipitation Intensity               |         | 0 ... 200.0   | mm/h                  |        |                  |
| 840                     |     | float32 | Precipitation Intensity               |         | 0 ... 7.874   | in/h                  |        |                  |
| 860                     |     | float32 | Precipitation Intensity               |         | 0 ... 7874  | mil/h                 |        |                  |
| act                     | min | max     | avg                                   | special | Measurement Variable<br>(float32)   | min                   | max    | unit             |
| Global Radiation        |     |         |                                       |         |   |                       |        |                  |
| 900                     | 920 | 940     | 960                                   |         | Global Radiation  | 0                     | 1400   | W/m <sup>2</sup> |
| Leaf Wetness            |     |         |                                       |         |   |                       |        |                  |
| 710                     | 730 | 750     | 770                                   |         | Leaf Wetness mV   | 0.0                   | 1500.0 | mV               |
| 711                     |     |         |                                       |         | Leaf Wetness State  | 0 = dry<br>1 = wet    |        |                  |
| Service Channels        |     |         |                                       |         |   |                       |        |                  |
| 10000                   |     |         |                                       |         | Supply Voltage V  | 0.0                   | 50.0   | V                |
| 11000                   |     |         |                                       |         | Rain Drop Volume µl   | 0.0                   | 500.0  | µl               |



**Note:** The channels which are actually available are dependent on the WSxxx-UMB type in use.

## 19.2 Channel List Summary per TLS2002 FG3

The following channels are available specifically for data requests for further processing in TLS format. These channels are only available in the UMB-Binary protocol.

| DE Type | UMB Channel | Meaning   | Format | Range               | Resolution | Coding  |
|---------|-------------|---|--------|---------------------|------------|---|
| 48      | 1048        | Result message<br>Air Temperature<br>LT         | 16 bit | -30 ...<br>+60°C    | 0.1°C      | 60.0 = 600d = 0258h<br>0.0 = 0d = 0000h<br>-0.1 = -1d = FFFFh<br>-30.0 = -300d = FED4h  |
| 53      | 1053        | Result message<br>Precipitation<br>Intensity NI | 16 bit | 0 ... 200<br>mm/h   | 0.1 mm/h   | 0.0 = 0d = 0000h<br>200.0 = 2000d = 07D0h   |
| 54      | 1054        | Result message<br>Air Pressure LD               | 16 bit | 800...1200<br>hPa   | 1 hPa      | 800 = 800d = 0320h<br>1200 = 1200d = 04B0h  |
| 55      | 1055        | Result message<br>Relative Humidity<br>RLF      | 8 bit  | 10% ...<br>100%     | 1% RH      | 10% = 10d = 0Ah<br>100% = 100d = 64h  |
| 56      | 1056        | Result message<br>Wind Direction<br>WR          | 16 bit | 0 ... 359°          | 1°         | 0° (N) = 0d = 0000h<br>90° (O) = 90d = 005Ah<br>180° (S) = 180d = 00B4h<br>270° (W) = 270d = 010Eh<br>FFFFh = not definable           |
| 57      | 1057        | Result message<br>Wind Speed.<br>(average) WGM  | 16 bit | 0.0 ... 60.0<br>m/s | 0.1 m/s    | 0.0 = 0d = 0000h<br>60.0 = 600d = 0258h   |
| 64      | 1064        | Result message<br>Wind Speed<br>(peak) WGS      | 16 bit | 0.0 ... 60.0<br>m/s | 0.1 m/s    | 0.0 = 0d = 0000h<br>60.0 = 600d = 0258h   |
| 66      | 1066        | Result message<br>Dewpoint<br>Temperature TPT   | 16 bit | -30 ...<br>+60°C    | 0.1°C      | 60.0 = 600d = 0258h<br>0.0 = 0d = 0000h<br>-0.1 = -1d = FFFFh<br>-30.0 = -300d = FED4h  |
| 71      | 1071        | Result message<br>Precipitation Type<br>NS      | 8 bit  |                     |            | 0 = No precipitation<br>40 = unspecified precipitation<br>60 = Liquid precipitation, e.g. rain<br>70 = Solid precipitation, e.g. snow |



**Note:** The channels which are actually available are dependent on the WSxxx-UMB type in use.

The previous channels 1153 and 1253 are no longer supported. Channels 840 and 860 can be used in their place.

### 19.3 Communication in Binary Protocol

Only one example of an online data request is described in this operating manual. Please refer to the current version of the UMB Protocol for all commands and the exact mode of operation of the protocol (available for download at [www.lufft.com](http://www.lufft.com)).



**Note:** Communication with the sensor takes place in accordance with the master-slave principle, i.e. there may only be ONE requesting unit on a network.

#### 19.3.1 Framing

The data frame is constructed as follows:

|     |       |       |        |       |     |       |        |                              |         |                      |          |
|-----|-------|-------|--------|-------|-----|-------|--------|------------------------------|---------|----------------------|----------|
| 1   | 2     | 3 - 4 | 5 - 6  | 7     | 8   | 9     | 10     | 11 ... (8 + len)<br>optional | 9 + len | 10 + len<br>11 + len | 12 + len |
| SOH | <ver> | <to>  | <from> | <len> | STX | <cmd> | <verc> | <payload>                    | ETX     | <cs>                 | EOT      |

|           |   |
|-----------|---|
| SOH       | Control character for the start of a frame (01h); 1 byte              |
| <ver>     | Header version number, e.g.: V 1.0 → <ver> = 10h = 16d; 1 byte        |
| <to>      | Receiver address; 2 bytes   |
| <from>    | Sender address; 2 bytes   |
| <len>     | Number of data bytes between STX and ETX; 1 byte                      |
| STX       | Control character for the start of payload transmission (02h); 1 byte |
| <cmd>     | Command; 1 byte   |
| <verc>    | Version number of the command; 1 byte                                 |
| <payload> | Data bytes; 0 – 210 bytes   |
| ETX       | Control character for the end of payload transmission (03h); 1 byte   |
| <cs>      | Check sum, 16 bit CRC; 2 bytes  |
| EOT       | Control character for the end of the frame (04h); 1 byte              |

Control characters: SOH (01h), STX (02h), ETX (03h), EOT (04h).

#### 19.3.2 Addressing with Class and Device ID

Addressing takes place by way of a 16 bit address. This breaks down into a Class ID and a Device ID.

| Address (2 bytes = 16 bit)  |   |                             |                           |           |
|-----------------------------|---|-----------------------------|---------------------------|-----------|
| Bits 15 – 12 (upper 4 bits) |   | Bits 11 – 8 (middle 4 bits) | Bits 7 – 0 (lower 8 bits) |           |
| Class ID (0 to 15)          |   | Reserve                     | Device ID (0 – 255)       |           |
| 0                           | Broadcast                                       |                             | 0                         | Broadcast |
| 7                           | Smart Weather Sensor<br>(WS200-UMB – WS600-UMB) |                             | 1 - 255                   | Available |
| 15                          | Master or control devices                       |                             |                           |           |

ID = 0 is provided as broadcast for classes and devices. Thus it is possible to transmit a broadcast on a specific class. However this only makes sense if there is only one device of this class on the bus; or in the case of a command, e.g. reset.

### 19.3.3 Examples for Creating Addresses

If, for example, you want to address WS400-UMB with the device ID 001, this takes place as follows:

The class ID for the Smart Weather Sensor is 7d = 7h;  
the device ID is e.g. 001d = 001h

Putting the class and device IDs together gives the address 7001h (28673d).

### 19.3.4 Example of a Binary Protocol Request

If, for example, a Smart Weather Sensor with the device ID 001 is to be polled from a PC for the current temperature, this takes place as follows:

**Sensor:**

The class ID for the Smart Weather Sensors 7 = 7h;  
The device ID is 001 = 001h

Putting the class and device IDs together gives a target address of 7001h.

**PC:**

The class ID for the PC (master unit) is 15 = Fh;  
the PC ID is e.g. 001d = 01h.

Putting the class and device IDs together gives a sender address of F001h.

The length <len> for the online data request command is 4d = 04h;

The command for the online data request is 23h;

The version number of the command is 1.0 = 10h.

The channel number is in <payload>; as can be seen from the channel list (page 65), the current temperature in °C in the channel is 100d = 0064h.

The calculated CRC is D961h.

**The request to the device:**

| SOH | <ver> | <to> |     | <from> |     | <len> | STX | <cmd> | <verc> | <channel> |     | ETX | <cs> |     | EOT |
|-----|-------|------|-----|--------|-----|-------|-----|-------|--------|-----------|-----|-----|------|-----|-----|
| 1   | 2     | 3    | 4   | 5      | 6   | 7     | 8   | 9     | 10     | 11        | 12  | 13  | 14   | 15  | 16  |
| 01h | 10h   | 01h  | 70h | 01h    | F0h | 04h   | 02h | 23h   | 10h    | 64h       | 00h | 03h | 61h  | D9h | 04h |

**The response from the device:**

| SOH | <ver> | <to> |     | <from> |     | <len> | STX | <cmd> | <verc> | <status> | <channel> |     | <typ> |
|-----|-------|------|-----|--------|-----|-------|-----|-------|--------|----------|-----------|-----|-------|
| 1   | 2     | 3    | 4   | 5      | 6   | 7     | 8   | 9     | 10     | 11       | 12        | 13  | 14    |
| 01h | 10h   | 01h  | F0h | 01h    | 70h | 0Ah   | 02h | 23h   | 10h    | 00h      | 64h       | 00h | 16h   |

| <value> |     |     |     | ETX | <cs> |     |     | EOT |
|---------|-----|-----|-----|-----|------|-----|-----|-----|
| 15      | 16  | 17  | 18  | 19  | 20   | 21  | 22  |     |
| 00h     | 00h | B4h | 41h | 03h | C6h  | 22h | 04h |     |

**Interpretation of the response:**

<status> = 00h device o.k. (≠ 00h signifies error code; see page 70)

<typ> = Data type of the following value; 16h = float (4 bytes, IEEE format)

<value> = 41B40000h as a float value corresponds to 22.5

The temperature is therefore 22.5°C.

The correct data transmission can be checked with the aid of the check sum (22C6h).



**Note:** Little Endian (Intel, low byte first) applies when transmitting word and float variables of addresses or the CRC, for example. This means first the LowByte and then the HighByte.

### 19.3.5 Status and Error Codes in Binary Protocol

If a measurement request delivers the <status> 00h, the sensor is working correctly. You can find a complete list of additional codes in the description of the UMB protocol.

Extract from list:

| <status>  | Description   |
|-----------|---|
| 00h (0d)  | Command successful; no error; all o.k.  |
| 10h (16d) | Unknown command; not supported by this device                                     |
| 11h (17d) | Invalid parameter   |
| 24h (36d) | Invalid channel   |
| 28h (40d) | Device not ready; e.g. initialization / calibration running                       |
| 50h (80d) | Measurement variable (+offset) is outside the set display range                   |
| 51h (81d) |   |
| 52h (82d) | Measurement value (physical) is outside the measuring range (e.g. ADC over range) |
| 53h (83d) |   |
| 54h (84d) | Error in measurement data or no valid data available                              |
| 55h (85d) | Device / sensor is unable to execute valid measurement due to ambient conditions  |

### 19.3.6 CRC Calculation

CRC is calculated according to the following rules:

Norm: CRC-CCITT

Polynomial:  $1021h = x^{16} + x^{12} + x^5 + 1$  (LSB first mode)

Start value: FFFFh

You can find further information in the description of a CRC calculation in UMB Protocol.

### 19.3.7 Data Request in Power Saving Mode 2

When in power saving mode2 the processor of the Smart Weather Sensor will be usually in sleep state. For the acquisition of measurement data a certain command sequence and a certain timing is required:

- „Wake Up“ bei sending a <Break>, any character or any telegram (a telegram will not be properly detected and get no response, because the UART is just starting)
- 1000msec pause for the processor start up
- Activation of the measurement cycle by (any) valid telegram addressed to this device
- 2000msec pause for the execution of the measurement sequence
- Request of the measurement results

Example of a Request Sequence:

Command Data Request (0x23), Channel 100

No response

Wait 1 sec

Command Data Request (0x23), Channel 100

Discard data

Wait 2 sec

CommandMultiData Request (0x2F), Ch. 100, 200, 300, 620, 605, 700

Store data

## 19.4 Communication in ASCII Protocol

Text-based communication with devices is possible using ASCII protocol.

To do this, in the device configuration, interface settings, the protocol mode must be set to ASCII (see page 30).

ASCII protocol is network-compatible and serves exclusively for online data requests. The device will not respond to incomprehensible ASCII commands.



**Note:** The use of binary protocol is recommended for lengthy transmission routes (e.g. network, GPRS/UMTS), as ASCII protocol is unable to detect transmission errors (not CRC-secured).



**Note:** TLS channels are not available in ASCII protocol.

### 19.4.1 Structure

An ASCII command is introduced by the '&' character and completed by the CR (0Dh) sign. There is a space character (20h) between the individual blocks in each case; this is represented by an underscore character '\_'. Characters that represent an ASCII value are in ordinary inverted commas.

### 19.4.2 Summary of ASCII Commands

| Command | Function                    | BC | AZ |
|---------|-----------------------------|----|----|
| M       | Online data request         |    | l  |
| X       | Switches to binary protocol |    | k  |
| R       | Triggers software reset     | ●  | k  |
| D       | Software reset with delay   | ●  | k  |
| I       | Device information          |    | k  |

These operating instructions describe the online data request only. You can find the description of the other commands in the UMB protocol.

### 19.4.3 Online Data Request (M)

**Description:** By way of this command, a measurement value is requested from a specific channel.

**Request:** '&'\_<ID><sup>5</sup>'\_<M>\_<channel><sup>5</sup> CR

**Response:** '\$'\_<ID><sup>5</sup>'\_<M>\_<channel><sup>5</sup>'\_<value><sup>5</sup> CR

<ID><sup>5</sup> Device address (5 decimal places with leading zeros)

<channel><sup>5</sup> Indicates the channel number (5 decimal places with leading zeros)

<value><sup>5</sup> Measurement value (5 decimal places with leading zeros); a measurement value standardized to 0 – 65520d. Various error codes are defined from 65521d – 65535d.

**Example:**

Request: &\_28673\_M\_00100

By way of this request, channel 100 of the device with address 28673 is interrogated (Smart Weather Sensor with device ID 001).

Response: \$\_28673\_M\_00100\_34785

This channel outputs a temperature from –50 to +60°C, which is calculated as follows:

0d corresponds to –50°C

65520d corresponds to +60°C

36789d corresponds to  $[+60^{\circ}\text{C} - (-50^{\circ}\text{C})] / 65520 * 34785 + (-50^{\circ}\text{C}) = 8.4^{\circ}\text{C}$



**Note:** TLS channels are not available in ASCII protocol.

#### 19.4.4 Standardization of Measurement Values in ASCII Protocol

The standardization of measurement values from 0d – 65520d corresponds to the measuring range of the respective measurement variable.

| Measurement Variable        | Measuring Range   |          |                         |
|-----------------------------|---|----------|-------------------------|
|                             | Min   | Max      | Unit                    |
| <b>Temperature</b>          |   |          |                         |
| Temperature                 | -50.0   | 60.0     | °C                      |
| Dew point                   | -58.0   | 140.0    | °F                      |
| Wet Bulb Temperature        | -58.0   | 140.0    | °F                      |
| External Temperature        | -40.0   | 80.0     | °C                      |
|                             | -40.0   | 176.0    | °F                      |
| Wind chill temperature      | -60.0   | 70.0     | °C                      |
|                             | -76.0   | 158.0    | °F                      |
| <b>Humidity</b>             |   |          |                         |
| Relative humidity           | 0.0   | 100.0    | %                       |
| Absolute humidity           | 0.0   | 1000.0   | g/m <sup>3</sup>        |
| Mixing ratio                | 0.0   | 1000.0   | g/kg                    |
| Specific Enthalpy           | -100.0  | 1000.0   | kJ/kg                   |
| <b>Pressure</b>             |   |          |                         |
| Relative air pressure       | 300.0   | 1200.0   | hPa                     |
| Absolute air pressure       | 300.0   | 1200.0   | hPa                     |
| <b>Air Density</b>          |   |          |                         |
| air density                 | 0.0   | 3.0      | kg/m <sup>3</sup>       |
| <b>Wind</b>                 |   |          |                         |
| Wind speed                  | 0.0   | 75.0     | m/s                     |
|                             | 0.0   | 270.0    | km/h                    |
|                             | 0.0   | 167.8    | mph                     |
|                             | 0.0   | 145.8    | kts                     |
| Wind direction              | 0.0   | 359.9    | °                       |
| wind value quality          | 0.0   | 100.0    | %                       |
| <b>Rain</b>                 |   |          |                         |
| Quantity                    | 0.0   | 6552.0   | litres / m <sup>2</sup> |
|                             | 0.0   | 6552.0   | mm                      |
|                             | 0.0   | 257.9    | inches                  |
|                             | 0.0   | 257952.7 | mil                     |
| Quantity since last request | 0.0   | 655.2    | litres / m <sup>2</sup> |
|                             | 0.0   | 655.2    | mm                      |
|                             | 0.0   | 25.79    | inches                  |
|                             | 0.0   | 25795.2  | mil                     |
| Precipitation type          | 0 = No precipitation<br>40 = Precipitation<br>60 = Liquid precipitation, e.g. rain<br>70 = Solid precipitation, e.g. snow |          |                         |
| Precipitation intensity     | 0.0   | 200.0    | l/m <sup>2</sup> /h     |
|                             | 0.0   | 200.0    | mm/h                    |
|                             | 0.0   | 7.874    | in/h                    |
|                             | 0.0   | 7874     | mil/h                   |
| <b>Global Radiation</b>     |   |          |                         |
| Global Radiation            | 0.0   | 1400.0   | W/m <sup>2</sup>        |
| <b>Leaf Wetness</b>         |   |          |                         |
| Leaf Wetness mV             | 0.0   | 1500.0   | mV                      |
| Leaf Wetness State          | 0 = dry<br>1 = wet  |          |                         |



#### 19.4.5 Error Codes in the ASCII Protocol

Various error codes are defined from 65521d – 65535d in addition to the standardisation for the transmission of measurement values.

| <b>&lt;code&gt;</b> | <b>Description</b>   |
|---------------------|--|
| 65521d              | Invalid Channel  |
| 65523d              | Value Overflow   |
| 65524d              | Value Underflow  |
| 65525d              | Error in measurement data or no valid data available                             |
| 65526d              | Device / sensor is unable to execute valid measurement due to ambient conditions |
| 65534d              | Invalid Calibration  |
| 65535d              | Unknown Error  |

## 19.5 Communication in Terminal Mode

It is possible to communicate with a device in a very simple text-based manner using the terminal mode.

To do this, in the device configuration, interface settings, the protocol mode must be set to terminal (see page 30).



**Note:** In the case of communication in the terminal mode, only one single unit may be connected to the interface, as this protocol is **NOT** network-compatible. It is used for very simple measurement value requests.



**Note:** The use of binary protocol is recommended for lengthy transmission routes (e.g. network, GPRS/UMTS), as it is not possible to detect transmission errors in terminal mode (not CRC-secured).



**Note:** In the terminal mode, measurement values are not available in all units. Furthermore, status and error messages are not transmitted.

### 19.5.1 Structure

A terminal consists of an ASCII character and a numeric character. The command is completed with the <CR> sign. There is no echo on entry.

The individual values in the response are separated by a semi-colon (;). The response is completed with <CR><LF>.

An invalid terminal command is acknowledged with 'FAILED'. Control commands are acknowledged with 'OK'.

The command to which the response relates is given at the beginning of each response.



**Note:** No response times are specified in the terminal mode.

### 19.5.2 Terminal Commands

The terminal commands transmit the following values or have the following functions:

|        |   |    |   |               |
|--------|---|----|---|---------------|
| E0<CR> | Temperature in °C   | Ta | C | (Channel 100) |
|        | Dew point temperature in °C   | Tp | C | (Channel 110) |
|        | Wind chill temperature in °C  | Tw | C | (Channel 111) |
|        | Relative humidity in %  | Hr | P | (Channel 200) |
|        | Relative air pressure in hPa  | Pa | H | (Channel 305) |
|        | Wind speed in m/s   | Sa | M | (Channel 400) |
|        | Wind direction in °   | Da | D | (Channel 500) |
|        | Precipitation quantity in mm  | Ra | M | (Channel 620) |
|        | Precipitation type  | Rt | N | (Channel 700) |
|        | Precipitation intensity in mm/h   | Ri | M | (Channel 820) |
| E1<CR> | Temperature in °F   | Ta | F | (Channel 105) |
|        | Dew point temperature in °F   | Tp | F | (Channel 115) |
|        | Wind chill temperature in °F  | Tw | F | (Channel 116) |
|        | Relative humidity in %  | Hr | P | (Channel 200) |
|        | Relative air pressure in hPa  | Pa | H | (Channel 305) |
|        | Wind speed in mph   | Sa | S | (Channel 410) |
|        | Wind direction in °   | Da | D | (Channel 500) |
|        | Precipitation quantity in inches  | Ra | I | (Channel 640) |
|        | Precipitation type  | Rt | N | (Channel 700) |
|        | Precipitation intensity in inches/h   | Ri | I | (Channel 840) |
| E2<CR> | Act. wind speed in m/s  | Sa | M | (Channel 400) |
|        | Min. wind speed in m/s  | Sn | M | (Channel 420) |
|        | Max. wind speed in m/s  | Sx | M | (Channel 440) |
|        | Avg. wind speed in m/s  | Sg | M | (Channel 460) |
|        | Vct. wind speed in m/s  | Sv | M | (Channel 480) |
|        | Act. wind direction in °  | Da | D | (Channel 500) |
|        | Min. wind direction in °  | Dn | D | (Channel 520) |
|        | Max. wind direction in °  | Dx | D | (Channel 540) |
|        | Vct. wind direction in °  | Dv | D | (Channel 580) |
| E3<CR> | Act. wind speed in mph  | Sa | S | (Channel 410) |
|        | Min. wind speed in mph  | Sn | S | (Channel 430) |
|        | Max. wind speed in mph  | Sx | S | (Channel 450) |
|        | Avg. wind speed in mph  | Sg | S | (Channel 470) |
|        | Vct. wind speed in mph  | Sv | S | (Channel 490) |
|        | Act. wind direction in °  | Da | D | (Channel 500) |
|        | Min. wind direction in °  | Dn | D | (Channel 520) |
|        | Max. wind direction in °  | Dx | D | (Channel 540) |
|        | Vectorial wind direction in °   | Dv | D | (Channel 580) |
| E4<CR> | Act. Compass heading in °   | Ca | D | (Channel 510) |
|        | Act. Global Radiation in W/m <sup>2</sup>   | Ga | W | (Channel 900) |
|        | Min. Global Radiation in W/m <sup>2</sup>   | Gn | W | (Channel 920) |
|        | Max. Global Radiation in W/m <sup>2</sup>   | Gx | W | (Channel 940) |
|        | Avg. Global Radiation in W/m <sup>2</sup>   | Gg | W | (Channel 960) |
|        | Act. Specific Enthalpy in KJ/Kg   | Ea | J | (Channel 215) |
|        | Act. Wet Bulb Temperature in °C   | Ba | C | (Channel 114) |
|        | Act. Wet Bulb Temperature in °F   | Ba | F | (Channel 119) |
| E5<CR> | Act. Air Density in kg/m <sup>3</sup>   | Ad | G | (Channel 310) |
|        | act. Leaf Wetness mV  | La | X | (Channel 710) |
|        | act. Leaf Wetness State   | Lb | X | (Channel 711) |
|        | external temperature (act) °C   | Te | C | (Channel 101) |
|        | external temperature (act) °F   | Te | F | (Channel 106) |
|        | Reserve   | Xx | X |               |
|        | Reserve   | Xx | X |               |
|        | Reserve   | Xx | X |               |
| Mx<CR> | Reserve   | Xx | X |               |
|        | Reserve   | Xx | X |               |
|        | Reserve   | Xx | X |               |
|        | Reserve   | Xx | X |               |
|        | Reserve   | Xx | X |               |
| Mx<CR> | Displays the same values as Ex<CR>, but without additional information such as the measurement variable and unit                                      |    |   |               |
| I0<CR> | Serial number; date of manufacture; project number; parts list version; SPLAN version; hardware version; firmware version; E2 version; device version |    |   |               |
| I1<CR> | Outputs the device description  |    |   |               |

R0<CR> Executes a device reset  
R1<CR> Resets the accumulated rain quantity and executes a device reset  
X0<CR> Temporarily switches to UMB binary protocol

**Examples:**

E0<CR> E0;Ta+024.9C;Tp+012.2C;Tw+026.8C;Hr+045.0P;Pa+0980.6H;  
Sa+005.1M;Da+156.6D;Ra+00042.24M;Rt+060N;Ri+002.6M;  
M0<CR> M0;+024.9;+012.2;+026.8;+045.0;+0980.6;  
+005.1;+156.6;+00042.24;+060;+002.6;  
E2<CR> E2;Sa+005.1M;Sn+001.1M;Sx+007.1M;Sg+005.1M;Sv+005.0M;  
Da+156.6D;Dn+166.6D;Dx+176.6D;Dv+156.6D;  
M2<CR> M2;+005.1;+001.1;+007.1;+005.1;+005.0;  
+156.6;+166.6;+176.6;+156.6;  
I0<CR> I0;001;0109;0701;004;005;001;016;011;00002;<CR><LF>  
R0<CR> R0;OK;<CR><LF>

### 19.6 Communication in SDI-12 Mode

The communication in the SDI-12 mode of the Smart Weather Sensor is conforming to the standard defined in 'SDI-12 A Serial-Digital Interface Standard for Microprocessor-Based Sensors Version 1.3 January 12, 2009'. The device may be operated in bus mode together with other SDI-12 sensors, connected to one SDI master (logger).

#### 19.6.1 Preconditions for SDI-12 Operation

As the interface settings defined in the SDI-12 standard are significantly different from the UMB default settings the related parameters have to be set properly by the UMB Config Tool (latest version!).

The protocol mode of the device has to be set to "SDI-12". This will automatically set the baud rate to 1200.

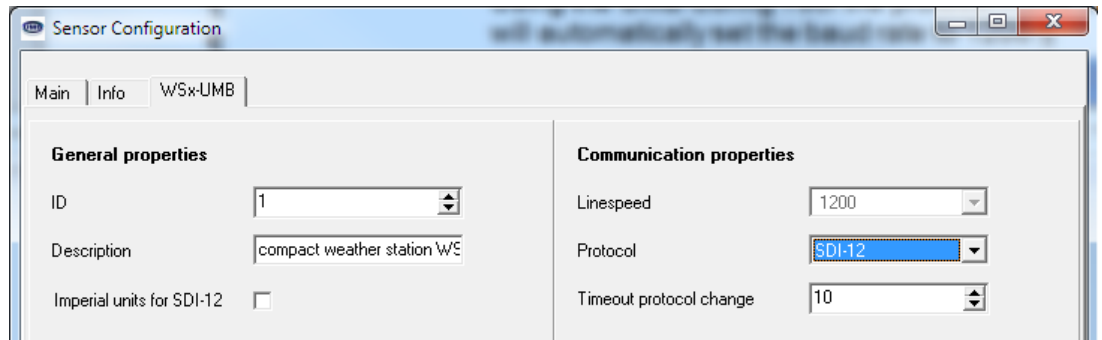
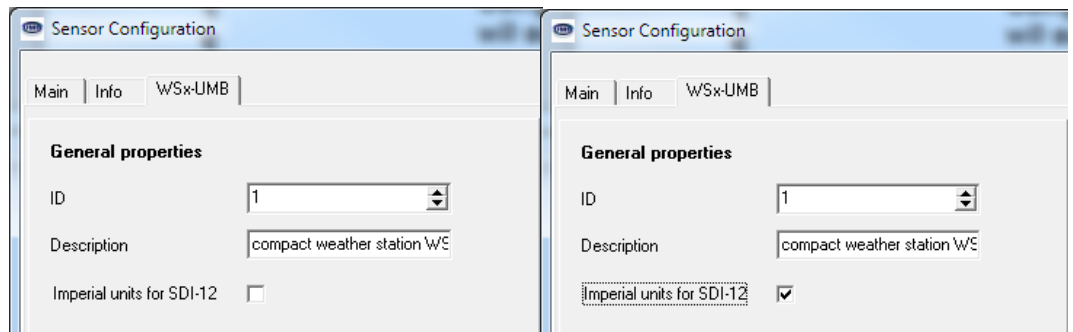


Figure 37: Sensor Configuration SDI-12

Measurement data can be transmitted alternatively in metric or US units. The selection is done by the UMB Config Tool.



Metric units

US units

Figure 38: Sensor Configuration SDI-12 Units



**Note:** Please observe notes on page 25 when connecting a SDI12 data logger!

When operating the device in SDI-12 mode it is basically no more possible to access the device with the UMB Config Tool, due to the different interface parameter settings. To enable configuration access nevertheless the interface is operated in standard UMB mode (19200 8N1) for the first 5 seconds(\*) after reset / power on. During this time the UMB device ID, if unequal 1, is set to 200, so access will be possible even if the device ID is unknown. If a valid UMB telegram is received within this 5 sec, the device will stay in UMB mode for the configured time out (several minutes) so that the configuration can be modified.

- Connect the PC to the Smart Weather Sensor through an RS-485 converter
- Start the UMB Config Tool and create a WSxxx-UMB with the address (1 or 200) of the actual device and activate at least one sensor. Start the measurement (will report connection error at first)
- Reset the device (Power off / on)
- When measurement values are received the measurement can be terminated, the interface is now open for configuration.

(\*) Remark: The 5 seconds UMB communication are available from program start. Under consideration of the operating system start, where no communication is possible, the device will be ready for SDI12 requests after 7.0 – 7.5 seconds.

This timing only applies in case of cold start after power on or reset. This phase will not occur after “wake up” in Power Saving Mode 2. In this case the device will respond within the time defined by the SDI12 standard.



### 19.6.2 Command Set

For details of the SDI-12 protocol please refer to the above mentioned standard document.

Following commands are available for devices of the WS family:



**Note:** The examples in the following sections use italics to print the requests from the logger (*0V!*)

| Command            | Function  |
|--------------------|---|
| ?!                 | Address search (Wildcard request, one device only on bus!)  |
| a!                 | Request device active?  |
| al!                | Request device identification   |
| aAb!               | Address change to b ( 0 ... 9, A ...Z, a ... z)   |
| aM!                | Measurement basic minimal data set  |
| aM1!               | Measurement temperatures  |
| aM2!               | Measurement humidity  |
| aM3!               | Measurement air pressure  |
| aM4!               | Measurement wind  |
| aM5!               | Measurement compass   |
| aM6!               | Measurement precipitation   |
| aM7!               | Measurement global radiation  |
| aM8!               | Measurement external temperature  |
| aMC!               | Measurement, basic minimal data set, transmit values with CRC   |
| aMC1! ...<br>aMC8! | Measurement (assignment of values as for aMn! commands),<br>transmit values with CRC                                      |
| aC!                | Concurrent measurement, full basic data set   |
| aC1! ...<br>aC8!   | Concurrent measurement, assignment of values as for aMn!<br>commands, partly extended data sets                           |
| aCC!               | Concurrent measurement, transmit values with CRC  |
| aCC1! ...<br>aCC8! | Concurrent measurement, assignment of values as for aMn!<br>commands, partly extended data sets, transmit values with CRC |
| aD0!               | Data request buffer 0   |
| aD1!               | Data request buffer 1   |
| aD2!               | Data request buffer 2   |
| aD3!               | Data request buffer 3   |
| aD4!               | Data request buffer 4   |
| aR0!               | Data request from continuous measurement, data set 0  |
| aR1!               | Data request from continuous measurement, data set 1  |
| aR2!               | Data request from continuous measurement, data set 2  |
| aR3!               | Data request from continuous measurement, data set 3  |
| aR4!               | Data request from continuous measurement, data set 4  |
| aRC0!              | Data request from continuous measurement, data set 0 with CRC   |
| aRC1!              | Data request from continuous measurement, data set 1 with CRC   |
| aRC2!              | Data request from continuous measurement, data set 2 with CRC   |
| aRC3!              | Data request from continuous measurement, data set 3 with CRC   |
| aRC4!              | Data request from continuous measurement, data set 4 with CRC   |
| aV!                | Command verification: Evaluate sensor status and heating<br>temperatures, data request with aD0!, aD1!                    |
| aXU<m/u>!          | Change the unit system for SDI data   |
| aXH+nnnn!          | Set local altitude of the device for calculation of rel. air pressure   |

| Command        | Function   |
|----------------|--|
| aXD+nnn.n!     | Set local compass deviation                                    |
| aXL<n/s/w>!    | Set power saving mode  |
| aXMn!          | Set the heating mode of the device                             |
| aXA<t/p/w>+nn! | Integration time for average and min/max evaluation            |
| aXC!           | Clear the abs. precipitation amount ( includes a device reset) |
| aXR!           | Device reset   |

The composition of the minimal and the full basic data set depends on the variant (WS200-UMB ... WS700-UMB) of the device in question (see below). The same applies to the availability of the additional measurement commands (aM1!, aC1! etc.)

Due the applied measurement processes the devices of the WS family will, different from other sensors described in the SDI-12 document, in **normal operation mode** always measure continuously. This causes some special properties while in this mode:

- The device does not need a “Wakeup” and does not have a sleep mode. So the reactions to “Break” signals and any related timings are inapplicable. “Break” will be ignored by WS devices.
- Data requested with M- or C- commands are always available immediately. The device will always respond with a000n resp. a000nn. This means the device will not send any service request and will ignore measurement abort signals. The logger should request the data immediately.
- M- and C- command only differ in the number of values made available in the buffers (in both cases the maximum permitted by the standards of 9 resp. 20).
- We recommend to use the commands for continuous measurement (R-commands) to request the data.
- When in **power saving mode 2** the device will wake up by a „Break“ signal. Other functions of the „Break“ signal are not implemented.
- When in **power saving mode 2** the device responds to M or C commands with a002n resp. a002nn and holds the data available within 2 seconds. It will not send a service request, signals to abort the measurement are ignored.
- For the reduced data set in power saving mode 2 a unified data buffer structure for all device models has been defined. Depending on the individual model unused channels will be set to the “invalid” marker 999.9.



### 19.6.3 Address Configuration

UMB Device-ID and SDI-12 Address are connected, but the different address ranges and the fact, that UMB ID's are integer numbers, while SDI-12 addresses are ASCII characters, have to be considered.

The SDI-12 address is built from the UMB device ID as follows:

UMB Device ID 1 (default) corresponds to SDI-12 Address '0' (SDI-12 default).

Changing the SDI12 address by SDI12 setting command also modifies the UMB device ID accordingly.

Valid Address Ranges:

| UMB (dec) |    |    | SDI-12 (ASCII) |    |     |
|-----------|----|----|----------------|----|-----|
| 1         | to | 10 | '0'            | to | '9' |
| 18        | to | 43 | 'A'            | to | 'Z' |
| 50        | to | 75 | 'a'            | to | 'z' |

### 19.6.4 Data Messages

In the interest of simplified evaluation the assignment of measurement values to data buffers '0' ... '9' has been defined unified for all measurement commands. For this reason the responses to C-requests have been restricted to 35 characters, not using the 75 characters permitted for these requests

Currently buffers '0' to '4' are in use.

As with M-requests max. 9 values may be transmitted; the base data set of 9 values has been assigned to buffers '0' and '1'. Buffers '2' to '4' contain further measurement values. This definition guaranties the compatibility to loggers designed according to older versions of the SDI-12 standard.

The buffer assignment depends on the device variant (WS200-UMB ... WS700-UMB).

The complete set of measurement values, as defined for the UMB protocol has been made available also in the SDI-12 environment. They can be accessed using the additional M and C commands (aM1! ... aM8!, aMC1! ... aMC8!, aC1! ... aC8!, aCC1! ... aCC8!) (see below).

If the measurement value is not available for some reason, e.g. sensor failure, this is indicated by a value of +999.0. or -999.9 The logger can then evaluate the reason of failure by a v! Verification request. The following tables show the measurement values in the sequence they are arranged in the telegram (see example).



Depending on the configuration of the device the values will be transmitted in metric or US units.

**Note:** The configured system of units is not indicated in the data messages. The logger may request this setting with the l-command and adjust the evaluation of the data messages accordingly

Example: M Request from a WS600-UMB

0M!

00009<CR><LF>

9 measurement values are available

0D0!

0+13.5+85.7+1017.0+2.5+3.7<CR><LF>

Air temperature 13.5°C, rel. humidity 85.7%, rel. air pressure 1017hPa  
avg. wind speed 2.5m/s, max wind speed 3.7m/s.

0D1!

0+43.7+9.8+60+4.4<CR><LF>

Wind direction 43.7° wet bulb temperature 9.8°C,  
type of precipitation 60 (rain), precipitation intensity 4.4mm/h

## Example: C Request from a WS600-UMB

*0M!*

000020<CR><LF>

20 measurement values are available

*0D0!*

0+13.5+85.7+1017+2.5+3.7<CR><LF>

air temperature 13.5°C, rel. humidity 85.7%, rel. air pressure 1017hPa  
avg. wind speed 2.5m/s, max wind speed 3.7m/s.

*0D1!*

0+43.7+9.8+60+4.4<CR><LF>

wind direction 43.7° wet bulb temperature 9.8°C,  
type of precipitation 60 (rain), precipitation intensity 4.4mm/h

*0D2!*

0+11.2+10.3+1.10<CR><LF>

dewpoint 11.2°C, wind chill temperature 10,3°C  
diff. precipitation 1.10mm

*0D3!*

0+3.2+0.0+3.5+100.0<CR><LF>

act. wind speed 3,2m/s, min. wind speed 0.0 m/s  
vect. avg. wind speed 3.5m/s, quality of wind values 100%

*0D4!*

0+43.7+41.3+45.7+29.3<CR><LF>

act. wind direction 43,7°, min. wind direction 41,3°,  
max. wind direction 45,7°, specific enthalpy 29,3kJ/kg

### 19.6.4.1 Buffer assignment Basic Data Set WS600-UMB / WS700-UMB

Device configured for measurement values in metric units:

| Measurement value            | UMB Channel | Min       | Max       | Unit  |
|------------------------------|-------------|-----------|-----------|-------|
| <b>Buffer '0'</b>            |             |           |           |       |
| Air temperature (act)        | 100         | -50.0     | 60.0      | °C    |
| Rel. Humidity (act)          | 200         | 0.0       | 100.0     | %     |
| Rel. Air Pressure            | 305         | 300.0     | 1200.0    | hPa   |
| Wind Speed (avg)             | 460         | 0.0       | 75.0      | m/s   |
| Wind Speed (max)             | 440         | 0.0       | 75.0      | m/s   |
| <b>Buffer '1'</b>            |             |           |           |       |
| Wind Direction (vct)         | 580         | 0.0       | 359.9     | °     |
| Wet Bulb Temperature (act)   | 114         | -50.0     | 60.0      | °C    |
| Precipitation Type           | 700         | 0, 60, 70 |           |       |
| Precipitation Intensity      | 820         | 0.0       | 200.0     | mm/h  |
| <b>Buffer '2'</b>            |             |           |           |       |
| Dew Point (act)              | 110         | -50.0     | 60.0      | °C    |
| Wind chill Temperature (act) | 111         | -60.0     | 70.0      | °C    |
| Amount of Precip. difference | 625         | 0.00      | 100000.00 | mm    |
| <b>Buffer '3'</b>            |             |           |           |       |
| Wind Speed (act)             | 400         | 0.0       | 75.0      | m/s   |
| Wind Speed (min)             | 420         | 0.0       | 75.0      | m/s   |
| Wind Speed (vct)             | 480         | 0.0       | 75.0      | m/s   |
| Wind Quality                 | 805         | 0.0       | 100.0     | %     |
| <b>Buffer '4'</b>            |             |           |           |       |
| Wind Direction (act)         | 500         | 0.0       | 359.9     | °     |
| Wind Direction (min)         | 520         | 0.0       | 359.9     | °     |
| Wind Direction (max)         | 540         | 0.0       | 359.9     | °     |
| Specific Enthalpy (act)      | 215         | -100.0    | 1000.0    | kJ/kg |

Example: Request Buffer '0'

*0D0!*

*0+13.5+85.7+2.5+3.7<CR><LF>*

Air Temperature 13.5°C, rel. Humidity 85.7%, average wind speed 2.5m/s, peak wind speed 3.7m/s

Device configured for measurement values in US units:

| Measurement Value            | UMB Channel | Min       | Max       | Unit  |
|------------------------------|-------------|-----------|-----------|-------|
| Buffer '0'                   |             |           |           |       |
| Air Temperature (act)        | 105         | -58.0     | 140.0     | °F    |
| Rel. Humidity (act)          | 200         | 0.0       | 100.0     | %     |
| Rel. Air Pressure            | 305         | 300.0     | 1200.0    | hPa   |
| Wind Speed (avg)             | 470         | 0.0       | 167.8     | mph   |
| Wind Speed (max)             | 450         | 0.0       | 167.8     | mph   |
| Buffer '1'                   |             |           |           |       |
| Wind Direction (vct)         | 580         | 0.0       | 359.9     | °     |
| Wet Bulb Temperature (act)   | 119         | -58.0     | 140.0     | °F    |
| Precipitation Type           | 700         | 0, 60, 70 |           |       |
| Precipitation Intensity      | 840         | 0.000     | 7.874     | in/h  |
| Buffer '2'                   |             |           |           |       |
| Dew Point (act)              | 115         | -58.0     | 140.0     | °F    |
| Wind chill Temperature (act) | 116         | -76.0     | 158.0     | °F    |
| Amount of Precip. difference | 645         | 0.0000    | 3937.0000 | in    |
| Buffer '3'                   |             |           |           |       |
| Wind Speed (act)             | 410         | 0.0       | 167.8     | mph   |
| Wind Speed (min)             | 430         | 0.0       | 167.8     | mph   |
| Wind Speed (vct)             | 490         | 0.0       | 167.8     | mph   |
| Wind Quality                 | 805         | 0.0       | 100.0     | %     |
| Buffer '4'                   |             |           |           |       |
| Wind Direction(act)          | 500         | 0.0       | 359.9     | °     |
| Wind Direction (min)         | 520         | 0.0       | 359.9     | °     |
| Wind Direction (max)         | 540         | 0.0       | 359.9     | °     |
| Specific Enthalpy (act)      | 215         | -100.0    | 1000.0    | kJ/kg |

### 19.6.4.2 Buffer Assignment Basic Data Set WS500-UMB

Device configured for measurement values in metric units:

| Measurement value            | UMB Channel | Min    | Max    | Unit  |
|------------------------------|-------------|--------|--------|-------|
| <b>Buffer '0'</b>            |             |        |        |       |
| Air temperature (act)        | 100         | -50.0  | 60.0   | °C    |
| Rel. Humidity (act)          | 200         | 0.0    | 100.0  | %     |
| Rel. Air Pressure            | 305         | 300.0  | 1200.0 | hPa   |
| Wind Speed (avg)             | 460         | 0.0    | 75.0   | m/s   |
| Wind Speed (max)             | 440         | 0.0    | 75.0   | m/s   |
| <b>Buffer '1'</b>            |             |        |        |       |
| Wind Direction (vct)         | 580         | 0.0    | 359.9  | °     |
| Wet Bulb Temperature (act)   | 114         | 0.0    | 359.9  | °C    |
| Dew Point (act)              | 110         | -50.0  | 60.0   | °C    |
| Wind chill Temperature (act) | 111         | -60.0  | 70.0   | °C    |
| <b>Buffer '2'</b>            |             |        |        |       |
| Wind Speed (act)             | 400         | 0.0    | 75.0   | m/s   |
| Wind Speed (min)             | 420         | 0.0    | 75.0   | m/s   |
| Wind Speed (vct)             | 480         | 0.0    | 75.0   | m/s   |
| Wind Quality                 | 805         | 0.0    | 100.0  | %     |
| <b>Buffer '3'</b>            |             |        |        |       |
| Wind Direction (act)         | 500         | 0.0    | 359.9  | °     |
| Wind Direction (min)         | 520         | 0.0    | 359.9  | °     |
| Wind Direction (max)         | 540         | 0.0    | 359.9  | °     |
| Specific Enthalpy (act)      | 215         | -100.0 | 1000.0 | kJ/kg |

Example: Request Buffer '0'

*0D0!*

*0+13.5+85.7+2.5+3.7<CR><LF>*

Air Temperature 13.5°C, rel. Humidity 85.7%, average wind speed 2.5m/s, peak wind speed 3.7m/s

Device configured for measurement values in US units:

| Measurement Value            | UMB Channel | Min    | Max    | Unit  |
|------------------------------|-------------|--------|--------|-------|
| Buffer '0'                   |             |        |        |       |
| Air Temperature (act)        | 105         | -58.0  | 140.0  | °F    |
| Rel. Humidity (act)          | 200         | 0.0    | 100.0  | %     |
| Rel. Air Pressure            | 305         | 300.0  | 1200.0 | hPa   |
| Wind Speed (avg)             | 470         | 0.0    | 167.8  | mph   |
| Wind Speed (max)             | 450         | 0.0    | 167.8  | mph   |
| Buffer '1'                   |             |        |        |       |
| Wind Direction (vct)         | 580         | 0.0    | 359.9  | °     |
| Wet Bulb Temperature (act)   | 119         | -58.0  | 140.0  | °F    |
| Dew Point (act)              | 115         | -58.0  | 140.0  | °F    |
| Wind chill Temperature (act) | 116         | -76.0  | 158.0  | °F    |
| Buffer '2'                   |             |        |        |       |
| Wind Speed (act)             | 410         | 0.0    | 167.8  | mph   |
| Wind Speed (min)             | 430         | 0.0    | 167.8  | mph   |
| Wind Speed (vct)             | 490         | 0.0    | 167.8  | mph   |
| Wind Quality                 | 805         | 0.0    | 100.0  | %     |
| Buffer '3'                   |             |        |        |       |
| Wind Direction(act)          | 500         | 0.0    | 359.9  | °     |
| Wind Direction (min)         | 520         | 0.0    | 359.9  | °     |
| Wind Direction (max)         | 540         | 0.0    | 359.9  | °     |
| Specific Enthalpy (act)      | 215         | -100.0 | 1000.0 | kJ/kg |

### 19.6.4.3 Buffer Assignment Basic Data Set WS400-UMB

Device configured for measurement in metric units:

| Measurement Value            | UMB Channel | Min       | Max       | Unit  |
|------------------------------|-------------|-----------|-----------|-------|
| Buffer '0'                   |             |           |           |       |
| Air Temperature (act)        | 100         | -50.0     | 60.0      | °C    |
| Rel. Humidity (act)          | 200         | 0.0       | 100.0     | %     |
| Dew Point (act)              | 110         | -50.0     | 60.0      | °C    |
| Abs. Air Pressure(act)       | 300         | 300.0     | 1200.0    | hPa   |
| Rel. Air Pressure (act)      | 305         | 300.0     | 1200.0    | hPa   |
| Buffer '1'                   |             |           |           |       |
| Precipitation Type           | 700         | 0, 60, 70 |           |       |
| Precipitation Intensity      | 820         | 0.0       | 200.0     | mm/h  |
| Amount of Precip. Difference | 625         | 0.00      | 100000.00 | mm    |
| Amount of Precip. Absolute   | 620         | 0.0       | 100000.0  | mm    |
| Buffer '2'                   |             |           |           |       |
| Air Temperature (min)        | 120         | -50.0     | 60.0      | °C    |
| Air Temperature (max)        | 140         | -50.0     | 60.0      | °C    |
| Air Temperature (avg)        | 160         | -50.0     | 60.0      | °C    |
| Rel. Humidity (min)          | 220         | 0.0       | 100.0     | %     |
| Rel. Humidity (max)          | 240         | 0.0       | 100.0     | %     |
| Buffer '3'                   |             |           |           |       |
| Rel. Humidity (avg)          | 260         | 0.0       | 100.0     | %     |
| Rel. Air Pressure(min)       | 325         | 300.0     | 1200.0    | hPa   |
| Rel. Rel. Humidity (max)     | 345         | 300.0     | 1200.0    | hPa   |
| Rel. Rel. Humidity (avg)     | 365         | 300.0     | 1200.0    | hPa   |
| Wet Bulb Temperature (act)   | 114         | -50.0     | 60.0      | °C    |
| Specific Enthalpy (act)      | 215         | -100.0    | 1000.0    | kJ/kg |

Example: Request Buffer '0'

*0D0!*

0+13.5+85.7+11.2+1017.0+1001.0

Air temperature 13.5°C, rel. humidity 85.7%, dew point 11.2°C, rel. air pressure 1017.0hPa, abs. pressure 1001.0hPa

Device configured for measurement in US units:

| Measurement Value            | UMB Channel | Min       | Max       | Unit  |
|------------------------------|-------------|-----------|-----------|-------|
| Buffer '0'                   |             |           |           |       |
| Air Temperature (act)        | 105         | -58.0     | 140.0     | °F    |
| Rel. Humidity (act)          | 200         | 0.0       | 100.0     | %     |
| Dew Point (act)              | 115         | -58.0     | 14.0      | °F    |
| Abs. Air Pressure(act)       | 300         | 300.0     | 1200.0    | hPa   |
| Rel. Air Pressure (act)      | 305         | 300.0     | 1200.0    | hPa   |
| Buffer '1'                   |             |           |           |       |
| Precipitation Type           | 700         | 0, 60, 70 |           |       |
| Precipitation Intensity      | 840         | 0.000     | 7.874     | in/h  |
| Amount of Precip. Difference | 645         | 0.0000    | 3937.0000 | in    |
| Amount of Precip. Absolute   | 640         | 0.000     | 3937.000  | in    |
| Buffer '2'                   |             |           |           |       |
| Air Temperature (min)        | 125         | -58.0     | 140.0     | °F    |
| Air Temperature (max)        | 145         | -58.0     | 140.0     | °F    |
| Air Temperature (avg)        | 165         | -58.0     | 140.0     | °F    |
| Rel. Humidity (min)          | 220         | 0.0       | 100.0     | %     |
| Rel. Humidity (max)          | 240         | 0.0       | 100.0     | %     |
| Buffer '3'                   |             |           |           |       |
| Rel. Humidity (avg)          | 260         | 0.0       | 100.0     | %     |
| Rel. Air Pressure(min)       | 325         | 300.0     | 1200.0    | hPa   |
| Rel. Rel. Humidity (max)     | 345         | 300.0     | 1200.0    | hPa   |
| Rel. Rel. Humidity (avg)     | 365         | 300.0     | 1200.0    | hPa   |
| Wet Bulb Temperature (act)   | 119         | -58.0     | 140.0     | °F    |
| Specific Enthalpy            | 215         | -100.0    | 1000.0    | kJ/kg |



### 19.6.4.4 Buffer Assignment Basic Data Set WS300-UMB

Device configured for measurement in metric units:

| Measurement Value          | UMB Channel | Min    | Max    | Unit             |
|----------------------------|-------------|--------|--------|------------------|
| Buffer '0'                 |             |        |        |                  |
| Air Temperature (act)      | 100         | -50.0  | 60.0   | °C               |
| Rel. Humidity (act)        | 200         | 0.0    | 100.0  | %                |
| Dew Point (act)            | 110         | -50.0  | 60.0   | °C               |
| Abs. Air Pressure(act)     | 300         | 300.0  | 1200.0 | hPa              |
| Rel. Air Pressure (act)    | 305         | 300.0  | 1200.0 | hPa              |
| Buffer '1'                 |             |        |        |                  |
| Air Temperature (min)      | 120         | -50.0  | 60.0   | °C               |
| Air Temperature (max)      | 140         | -50.0  | 60.0   | °C               |
| Air Temperature (avg)      | 160         | -50.0  | 60.0   | °C               |
| Rel. Humidity (avg)        | 260         | 0.0    | 100.0  | %                |
| Buffer '2'                 |             |        |        |                  |
| Rel. Humidity (min)        | 220         | 0.0    | 100,0  | %                |
| Rel. Humidity (max)        | 240         | 0.0    | 100,0  | %                |
| Rel. Air Pressure (min)    | 325         | 300.0  | 1200.0 | hPa              |
| Rel. Air Pressure (max)    | 345         | 300.0  | 1200.0 | hPa              |
| Rel. Air Pressure (avg)    | 365         | 300.0  | 1200.0 | hPa              |
| Buffer '3'                 |             |        |        |                  |
| Abs. Humidity (min)        | 225         | 0.0    | 1000.0 | g/m <sup>3</sup> |
| Abs. Humidity (max)        | 245         | 0.0    | 1000.0 | g/m <sup>3</sup> |
| Abs. Humidity (avg)        | 265         | 0.0    | 1000.0 | g/m <sup>3</sup> |
| Buffer '4'                 |             |        |        |                  |
| Wet Bulb Temperature (act) | 114         | -50.0  | 60.0   | °C               |
| Specific Enthalpy (act)    | 215         | -100.0 | 1000.0 | kJ/kg            |

Example: Request buffer '0'

*0D0!*

0+13.5+85.7+11.2+1017.0+1001.0

Air temperature 13.5°C, rel. humidity 85.7%, dew point 11.2°C, rel. air pressure 1017.0hPa, abs. pressure 1001.0hPa

Device configured for measurement in US units:

| Measurement Value          | UMB Channel | Min    | Max    | Unit             |
|----------------------------|-------------|--------|--------|------------------|
| Buffer '0'                 |             |        |        |                  |
| Air Temperature (act)      | 105         | -58.0  | 140.0  | °F               |
| Rel. Humidity (act)        | 200         | 0.0    | 100.0  | %                |
| Dew Point (act)            | 115         | -58.0  | 140.0  | °F               |
| Abs. Air Pressure(act)     | 300         | 300.0  | 1200.0 | hPa              |
| Rel. Air Pressure (act)    | 305         | 300.0  | 1200.0 | hPa              |
| Buffer '1'                 |             |        |        |                  |
| Air Temperature (min)      | 125         | -58.0  | 140.0  | °F               |
| Air Temperature (max)      | 145         | -58.0  | 140.0  | °F               |
| Air Temperature (avg)      | 165         | -58.0  | 140.0  | °F               |
| Rel. Humidity (avg)        | 260         | 0.0    | 100.0  | %                |
| Buffer '2'                 |             |        |        |                  |
| Rel. Humidity (min)        | 220         | 0.0    | 100,0  | %                |
| Rel. Humidity (max)        | 240         | 0.0    | 100,0  | %                |
| Rel. Air Pressure (min)    | 325         | 300.0  | 1200.0 | hPa              |
| Rel. Air Pressure (max)    | 345         | 300.0  | 1200.0 | hPa              |
| Rel. Air Pressure (avg)    | 365         | 300.0  | 1200.0 | hPa              |
| Buffer '3'                 |             |        |        |                  |
| Abs. Humidity (min)        | 225         | 0.0    | 1000.0 | g/m <sup>3</sup> |
| Abs. Humidity (max)        | 245         | 0.0    | 1000.0 | g/m <sup>3</sup> |
| Abs. Humidity (avg)        | 265         | 0.0    | 1000.0 | g/m <sup>3</sup> |
| Buffer '4'                 |             |        |        |                  |
| Wet Bulb Temperature (act) | 119         | -58.0  | 140.0  | °F               |
| Specific Enthalpy (act)    | 215         | -100.0 | 1000.0 | kJ/kg            |

### 19.6.4.5 Buffer Assignment Basic Data Set WS200-UMB

Device configured for measurement values in metric units:

| Measurement Value          | UMB Channel | Min | Max   | Unit |
|----------------------------|-------------|-----|-------|------|
| Buffer '0'                 |             |     |       |      |
| Wind Speed (avg)           | 460         | 0.0 | 75.0  | m/s  |
| Wind Speed (max)           | 440         | 0.0 | 75.0  | m/s  |
| Wind Direction (vect)      | 580         | 0.0 | 359.9 | °    |
| Wind Direction (act)       | 500         | 0.0 | 359.9 | °    |
| Compass Heading(act)       | 510         | 0.0 | 359.0 | °    |
| Buffer '1'                 |             |     |       |      |
| Wind Speed (act)           | 400         | 0.0 | 75.0  | m/s  |
| Wind Speed (min)           | 420         | 0.0 | 75.0  | m/s  |
| Wind Speed (vect)          | 480         | 0.0 | 75.0  | m/s  |
| Wind Quality               | 805         | 0.0 | 100.0 | %    |
| Buffer '2'                 |             |     |       |      |
| Wind Direction (min)       | 520         | 0.0 | 359.9 | °    |
| Wind Direction (max)       | 540         | 0.0 | 359.9 | °    |
| Wind Direction corr. (act) | 502         | 0.0 | 359.9 | °    |

Example: Request Buffer '0'

*0D0!*

*0+2.5+3.7+45.5+37.8+10.3<CR><LF>*

Avg. wind speed 2.5m/s, peak wind speed 3.7m/s, avg wind direction (vect.) 45.5°, wind direction (act.) 37.8°, compass heading 10.3°

Device configured for measurement values in US units:

| Measurement Value          | UMB Channel | Min | Max   | Unit |
|----------------------------|-------------|-----|-------|------|
| Buffer '0'                 |             |     |       |      |
| Wind Speed (avg)           | 470         | 0.0 | 167.8 | mph  |
| Wind Speed (max)           | 450         | 0.0 | 167.8 | mph  |
| Wind Direction (vct)       | 580         | 0.0 | 359.9 | °    |
| Wind Direction (act)       | 500         | 0.0 | 359.9 | °    |
| Compass Heading(act)       | 510         | 0.0 | 359.0 | °    |
| Buffer '1'                 |             |     |       |      |
| Wind Speed (act)           | 410         | 0.0 | 167.8 | mph  |
| Wind Speed (min)           | 430         | 0.0 | 167.8 | mph  |
| Wind Speed (vct)           | 490         | 0.0 | 167.8 | mph  |
| Wind Quality               | 805         | 0.0 | 100.0 | %    |
| Buffer '2'                 |             |     |       |      |
| Wind Direction (min)       | 520         | 0.0 | 359.9 | °    |
| Wind Direction (max)       | 540         | 0.0 | 359.9 | °    |
| Wind Direction corr. (act) | 502         | 0.0 | 359.9 | °    |

### 19.6.4.6 Buffer Assignment Basic Data Set WS501-UMB, WS502-UMB, WS503-UMB, WS504-UMB, WS510-UMB

Device configured for measurement values in metric units:

| Measurement value            | UMB Channel | Min    | Max    | Unit             |
|------------------------------|-------------|--------|--------|------------------|
| Buffer '0'                   |             |        |        |                  |
| Air temperature (act)        | 100         | -50.0  | 60.0   | °C               |
| Rel. Humidity (act)          | 200         | 0.0    | 100.0  | %                |
| Rel. Air Pressure            | 305         | 300.0  | 1200.0 | hPa              |
| Wind Speed (avg)             | 460         | 0.0    | 75.0   | m/s              |
| Wind Speed (max)             | 440         | 0.0    | 75.0   | m/s              |
| Buffer '1'                   |             |        |        |                  |
| Wind Direction (vct)         | 580         | 0.0    | 359.9  | °                |
| Global Radiation (act)       | 900         | 0.0    | 1400.0 | W/m <sup>2</sup> |
| Dew Point (act)              | 110         | -50.0  | 60.0   | °C               |
| Wind Chill Temperature (act) | 111         | -60.0  | 70.0   | °C               |
| Buffer '2'                   |             |        |        |                  |
| Wind Speed (act)             | 400         | 0.0    | 75.0   | m/s              |
| Wind Speed (min)             | 420         | 0.0    | 75.0   | m/s              |
| Wind Speed (vct)             | 480         | 0.0    | 75.0   | m/s              |
| Wind Quality                 | 805         | 0.0    | 100.0  | %                |
| Buffer '3'                   |             |        |        |                  |
| Wind Direction (act)         | 500         | 0.0    | 359.9  | °                |
| Wet Bulb Temperature (act)   | 114         | -50.0  | 60.0   | °C               |
| Specific Enthalpy (act)      | 215         | -100.0 | 1000.0 | kJ/kg            |
| Buffer '4'                   |             |        |        |                  |
| Global Radiation (min)       | 920         | 0.0    | 1400.0 | W/m <sup>2</sup> |
| Global Radiation (max)       | 940         | 0.0    | 1400.0 | W/m <sup>2</sup> |
| Global Radiation (avg)       | 960         | 0.0    | 1400.0 | W/m <sup>2</sup> |

Example: Request Buffer '0'

*0D0!*

0+13.5+85.7+2.5+3.7<CR><LF>

Air Temperature 13.5°C, rel. Humidity 85.7%, average wind speed 2.5m/s, peak wind speed 3.7m/s

Device configured for measurement values in US units:

| Measurement Value           | UMB Channel | Min    | Max    | Unit             |
|-----------------------------|-------------|--------|--------|------------------|
| Buffer '0'                  |             |        |        |                  |
| Air Temperature (act)       | 105         | -58.0  | 140.0  | °F               |
| Rel. Humidity (act)         | 200         | 0.0    | 100.0  | %                |
| Rel. Air Pressure           | 305         | 300.0  | 1200.0 | hPa              |
| Wind Speed (avg)            | 470         | 0.0    | 167.8  | mph              |
| Wind Speed (max)            | 450         | 0.0    | 167.8  | mph              |
| Buffer '1'                  |             |        |        |                  |
| Wind Direction (vct)        | 580         | 0.0    | 359.9  | °                |
| Global Radiation (act)      | 900         | 0.0    | 1400.0 | W/m <sup>2</sup> |
| Dew Point (act)             | 115         | -58.0  | 140.0  | °F               |
| Windchill Temperature (act) | 116         | -76.0  | 158.0  | °F               |
| Buffer '2'                  |             |        |        |                  |
| Wind Speed (act)            | 410         | 0.0    | 167.8  | mph              |
| Wind Speed (min)            | 430         | 0.0    | 167.8  | mph              |
| Wind Speed (vct)            | 490         | 0.0    | 167.8  | mph              |
| Wind Quality                | 805         | 0.0    | 100.0  | %                |
| Buffer '3'                  |             |        |        |                  |
| Wind Direction(act)         | 500         | 0.0    | 359.9  | °                |
| Wet Bulb Temperature (act)  | 119         | -58.0  | 140.0  | °F               |
| Specific Enthalpy (act)     | 215         | -100.0 | 1000.0 | kJ/kg            |
| Buffer '4'                  |             |        |        |                  |
| Global Radiation (min)      | 920         | 0.0    | 1400.0 | W/m <sup>2</sup> |
| Global Radiation (max)      | 940         | 0.0    | 1400.0 | W/m <sup>2</sup> |
| Global Radiation (avg)      | 960         | 0.0    | 1400.0 | W/m <sup>2</sup> |

### 19.6.4.7 Buffer Assignment Basic Data Set WS301-UMB, WS302-UMB, WS303-UMB, WS304-UMB, WS310-UMB

Device configured for measurement in metric units:

| Measurement Value          | UMB Channel | Min    | Max    | Unit             |
|----------------------------|-------------|--------|--------|------------------|
| Buffer '0'                 |             |        |        |                  |
| Air Temperature (act)      | 100         | -50.0  | 60.0   | °C               |
| Rel. Humidity (act)        | 200         | 0.0    | 100.0  | %                |
| Dew Point (act)            | 110         | -50.0  | 60.0   | °C               |
| Global Radiation(act)      | 900         | 0.0    | 1400.0 | W/m <sup>2</sup> |
| Rel. Air Pressure (act)    | 305         | 300.0  | 1200.0 | hPa              |
| Buffer '1'                 |             |        |        |                  |
| Air Temperature (min)      | 120         | -50.0  | 60.0   | °C               |
| Air Temperature (max)      | 140         | -50.0  | 60.0   | °C               |
| Air Temperature (avg)      | 160         | -50.0  | 60.0   | °C               |
| Rel. Humidity (avg)        | 260         | 0.0    | 100.0  | %                |
| Buffer '2'                 |             |        |        |                  |
| Rel. Humidity (min)        | 220         | 0.0    | 100,0  | %                |
| Rel. Humidity (max)        | 240         | 0.0    | 100,0  | %                |
| Rel. Air Pressure (min)    | 325         | 300.0  | 1200.0 | hPa              |
| Rel. Air Pressure (max)    | 345         | 300.0  | 1200.0 | hPa              |
| Rel. Air Pressure (avg)    | 365         | 300.0  | 1200.0 | hPa              |
| Buffer '3'                 |             |        |        |                  |
| Abs. Humidity (act)        | 205         | 0.0    | 1000.0 | g/m <sup>3</sup> |
| Wet Bulb Temperature (act) | 114         | -50.0  | 60.0   | °C               |
| Specific Enthalpy (act)    | 215         | -100.0 | 1000.0 | kJ/kg            |
| Buffer '4'                 |             |        |        |                  |
| Global Radiation (min)     | 920         | 0.0    | 1400.0 | W/m <sup>2</sup> |
| Global Radiation (max)     | 940         | 0.0    | 1400.0 | W/m <sup>2</sup> |
| Global Radiation (avg)     | 960         | 0.0    | 1400.0 | W/m <sup>2</sup> |

Example: Request buffer '0'

*0D0!*

0+13.5+85.7+11.2+1017.0+780.0

Air temperature 13.5°C, rel. humidity 85.7%, dew point 11.2°C, rel. air pressure 1017.0hPa, global radiation 780.0W/m<sup>2</sup>

Device configured for measurement in US units:

| Measurement Value          | UMB Channel | Min    | Max    | Unit             |
|----------------------------|-------------|--------|--------|------------------|
| Buffer '0'                 |             |        |        |                  |
| Air Temperature (act)      | 105         | -58.0  | 140.0  | °F               |
| Rel. Humidity (act)        | 200         | 0.0    | 100.0  | %                |
| Dew Point (act)            | 115         | -58.0  | 140.0  | °F               |
| Global Radiation(act)      | 900         | 0.0    | 1400.0 | W/m <sup>2</sup> |
| Rel. Air Pressure (act)    | 305         | 300.0  | 1200.0 | hPa              |
| Buffer '1'                 |             |        |        |                  |
| Air Temperature (min)      | 125         | -58.0  | 140.0  | °F               |
| Air Temperature (max)      | 145         | -58.0  | 140.0  | °F               |
| Air Temperature (avg)      | 165         | -58.0  | 140.0  | °F               |
| Rel. Humidity (avg)        | 260         | 0.0    | 100.0  | %                |
| Buffer '2'                 |             |        |        |                  |
| Rel. Humidity (min)        | 220         | 0.0    | 100,0  | %                |
| Rel. Humidity (max)        | 240         | 0.0    | 100,0  | %                |
| Rel. Air Pressure (min)    | 325         | 300.0  | 1200.0 | hPa              |
| Rel. Air Pressure (max)    | 345         | 300.0  | 1200.0 | hPa              |
| Rel. Air Pressure (avg)    | 365         | 300.0  | 1200.0 | hPa              |
| Buffer '3'                 |             |        |        |                  |
| Abs. Humidity (act)        | 205         | 0.0    | 1000.0 | g/m <sup>3</sup> |
| Wet Bulb Temperature (act) | 119         | -58.0  | 140.0  | °F               |
| Specific Enthalpy (act)    | 215         | -100.0 | 1000.0 | kJ/kg            |
| Buffer '4'                 |             |        |        |                  |
| Global Radiation (min)     | 920         | 0.0    | 1400.0 | W/m <sup>2</sup> |
| Global Radiation (max)     | 940         | 0.0    | 1400.0 | W/m <sup>2</sup> |
| Global Radiation (avg)     | 960         | 0.0    | 1400.0 | W/m <sup>2</sup> |



### 19.6.4.8 Buffer assignment Basic Data Set WS601-UMB

Device configured for measurement values in metric units:

| Measurement value            | UMB Channel | Min    | Max       | Unit  |
|------------------------------|-------------|--------|-----------|-------|
| <b>Buffer '0'</b>            |             |        |           |       |
| Air temperature (act)        | 100         | -50.0  | 60.0      | °C    |
| Rel. Humidity (act)          | 200         | 0.0    | 100.0     | %     |
| Rel. Air Pressure            | 305         | 300.0  | 1200.0    | hPa   |
| Wind Speed (avg)             | 460         | 0.0    | 75.0      | m/s   |
| Wind Speed (max)             | 440         | 0.0    | 75.0      | m/s   |
| <b>Buffer '1'</b>            |             |        |           |       |
| Wind Direction (vct)         | 580         | 0.0    | 359.9     | °     |
| Leaf Wetness State (act)     | 711         | 0 / 1  |           |       |
| Precipitation Type           | 700         | 0, 40  |           |       |
| Precipitation Intensity      | 820         | 0.0    | 200.0     | mm/h  |
| <b>Buffer '2'</b>            |             |        |           |       |
| Dew Point (act)              | 110         | -50.0  | 60.0      | °C    |
| Wind chill Temperature (act) | 111         | -60.0  | 70.0      | °C    |
| Amount of Precip. difference | 625         | 0.00   | 100000.00 | mm    |
| <b>Buffer '3'</b>            |             |        |           |       |
| Wind Speed (act)             | 400         | 0.0    | 75.0      | m/s   |
| Wind Speed (min)             | 420         | 0.0    | 75.0      | m/s   |
| Wind Speed (vct)             | 480         | 0.0    | 75.0      | m/s   |
| Wet Bulb Temperature (act)   | 114         | -50.0  | 60.0      | °C    |
| <b>Buffer '4'</b>            |             |        |           |       |
| Wind Direction (act)         | 500         | 0.0    | 359.9     | °     |
| Wind Direction (min)         | 520         | 0.0    | 359.9     | °     |
| Wind Direction (max)         | 540         | 0.0    | 359.9     | °     |
| Specific Enthalpy (act)      | 215         | -100.0 | 1000.0    | kJ/kg |

Example: Request Buffer '0'

*0D0!*

*0+13.5+85.7+2.5+3.7<CR><LF>*

Air Temperature 13.5°C, rel. Humidity 85.7%, average wind speed 2.5m/s, peak wind speed 3.7m/s

Device configured for measurement values in US units:

| Measurement Value            | UMB Channel | Min       | Max       | Unit  |
|------------------------------|-------------|-----------|-----------|-------|
| Buffer '0'                   |             |           |           |       |
| Air Temperature (act)        | 105         | -58.0     | 140.0     | °F    |
| Rel. Humidity (act)          | 200         | 0.0       | 100.0     | %     |
| Rel. Air Pressure            | 305         | 300.0     | 1200.0    | hPa   |
| Wind Speed (avg)             | 470         | 0.0       | 167.8     | mph   |
| Wind Speed (max)             | 450         | 0.0       | 167.8     | mph   |
| Buffer '1'                   |             |           |           |       |
| Wind Direction (vct)         | 580         | 0.0       | 359.9     | °     |
| Leaf Wetness State (act)     | 711         | 0 / 1     |           |       |
| Precipitation Type           | 700         | 0, 60, 70 |           |       |
| Precipitation Intensity      | 840         | 0.000     | 7.874     | in/h  |
| Buffer '2'                   |             |           |           |       |
| Dew Point (act)              | 115         | -58.0     | 140.0     | °F    |
| Wind chill Temperature (act) | 116         | -76.0     | 158.0     | °F    |
| Amount of Precip. difference | 645         | 0.0000    | 3937.0000 | in    |
| Buffer '3'                   |             |           |           |       |
| Wind Speed (act)             | 410         | 0.0       | 167.8     | mph   |
| Wind Speed (min)             | 430         | 0.0       | 167.8     | mph   |
| Wind Speed (vct)             | 490         | 0.0       | 167.8     | mph   |
| Wet Bulb Temperature (act)   | 119         | -58.0     | 140.0     | °F    |
| Buffer '4'                   |             |           |           |       |
| Wind Direction(act)          | 500         | 0.0       | 359.9     | °     |
| Wind Direction (min)         | 520         | 0.0       | 359.9     | °     |
| Wind Direction (max)         | 540         | 0.0       | 359.9     | °     |
| Specific Enthalpy (act)      | 215         | -100.0    | 1000.0    | kJ/kg |

### 19.6.4.9 Buffer Assignment Basic Data Set WS401-UMB

Device configured for measurement in metric units:

| Measurement Value            | UMB Channel | Min    | Max       | Unit  |
|------------------------------|-------------|--------|-----------|-------|
| Buffer '0'                   |             |        |           |       |
| Air Temperature (act)        | 100         | -50.0  | 60.0      | °C    |
| Rel. Humidity (act)          | 200         | 0.0    | 100.0     | %     |
| Dew Point (act)              | 110         | -50.0  | 60.0      | °C    |
| Leaf Wetness State (act)     | 711         | 0 / 1  |           |       |
| Rel. Air Pressure (act)      | 305         | 300.0  | 1200.0    | hPa   |
| Buffer '1'                   |             |        |           |       |
| Precipitation Type           | 700         | 0, 40  |           |       |
| Precipitation Intensity      | 820         | 0.0    | 200.0     | mm/h  |
| Amount of Precip. Difference | 625         | 0.00   | 100000.00 | mm    |
| Amount of Precip. Absolute   | 620         | 0.0    | 100000.0  | mm    |
| Buffer '2'                   |             |        |           |       |
| Air Temperature (min)        | 120         | -50.0  | 60.0      | °C    |
| Air Temperature (max)        | 140         | -50.0  | 60.0      | °C    |
| Air Temperature (avg)        | 160         | -50.0  | 60.0      | °C    |
| Rel. Humidity (min)          | 220         | 0.0    | 100.0     | %     |
| Rel. Humidity (max)          | 240         | 0.0    | 100.0     | %     |
| Buffer '3'                   |             |        |           |       |
| Rel. Humidity (avg)          | 260         | 0.0    | 100.0     | %     |
| Rel. Air Pressure(min)       | 325         | 300.0  | 1200.0    | hPa   |
| Rel. Rel. Humidity (max)     | 345         | 300.0  | 1200.0    | hPa   |
| Rel. Rel. Humidity (avg)     | 365         | 300.0  | 1200.0    | hPa   |
| Wet Bulb Temperature (act)   | 114         | -50.0  | 60.0      | °C    |
| Specific Enthalpy (act)      | 215         | -100.0 | 1000.0    | kJ/kg |

Example: Request Buffer '0'

*0D0!*

0+13.5+85.7+11.2+1017.0+1001.0

Air temperature 13.5°C, rel. humidity 85.7%, dew point 11.2°C, rel. air pressure 1017.0hPa, abs. pressure 1001.0hPa

Device configured for measurement in US units:

| Measurement Value            | UMB Channel | Min    | Max       | Unit  |
|------------------------------|-------------|--------|-----------|-------|
| Buffer '0'                   |             |        |           |       |
| Air Temperature (act)        | 105         | -58.0  | 140.0     | °F    |
| Rel. Humidity (act)          | 200         | 0.0    | 100.0     | %     |
| Dew Point (act)              | 115         | -58.0  | 14.0      | °F    |
| Leaf Wetness State (act)     | 711         | 0 / 1  |           |       |
| Rel. Air Pressure (act)      | 305         | 300.0  | 1200.0    | hPa   |
| Buffer '1'                   |             |        |           |       |
| Precipitation Type           | 700         | 0, 40  |           |       |
| Precipitation Intensity      | 840         | 0.000  | 7.874     | in/h  |
| Amount of Precip. Difference | 645         | 0.0000 | 3937.0000 | in    |
| Amount of Precip. Absolute   | 640         | 0.000  | 3937.000  | in    |
| Buffer '2'                   |             |        |           |       |
| Air Temperature (min)        | 125         | -58.0  | 140.0     | °F    |
| Air Temperature (max)        | 145         | -58.0  | 140.0     | °F    |
| Air Temperature (avg)        | 165         | -58.0  | 140.0     | °F    |
| Rel. Humidity (min)          | 220         | 0.0    | 100.0     | %     |
| Rel. Humidity (max)          | 240         | 0.0    | 100.0     | %     |
| Buffer '3'                   |             |        |           |       |
| Rel. Humidity (avg)          | 260         | 0.0    | 100.0     | %     |
| Rel. Air Pressure(min)       | 325         | 300.0  | 1200.0    | hPa   |
| Rel. Rel. Humidity (max)     | 345         | 300.0  | 1200.0    | hPa   |
| Rel. Rel. Humidity (avg)     | 365         | 300.0  | 1200.0    | hPa   |
| Wet Bulb Temperature (act)   | 119         | -58.0  | 140.0     | °F    |
| Specific Enthalpy            | 215         | -100.0 | 1000.0    | kJ/kg |

### 19.6.4.10 Buffer Assignment Basic Data Set Power Saving Mode 2 (all Models)

Device configured for measurement in metric units:

| Measurement Value            | UMB Channel | Min    | Max       | Unit              |
|------------------------------|-------------|--------|-----------|-------------------|
| <b>Buffer '0'</b>            |             |        |           |                   |
| Air Temperature (act)        | 100         | -50.0  | 60.0      | °C                |
| Rel. Humidity (act)          | 200         | 0.0    | 100.0     | %                 |
| Amount of Precip. Difference | 625         | 0.00   | 100000.00 | mm                |
| Rel. Air Pressure(act)       | 305         | 300.0  | 1200.0    | hPa               |
| Wind Speed (act)             | 400         | 0.0    | 75.0      | m/s               |
| <b>Buffer '1'</b>            |             |        |           |                   |
| Wind Direction(act)          | 500         | 0.0    | 359.9     | °                 |
| Global Radiation             | 900         | 0.0    | 1400.0    | W/m <sup>2</sup>  |
| Leaf Wetness State (act)     | 711         | 0 / 1  |           |                   |
| External Temperature         | 101         | -20.0  | 80.0      | °C                |
| <b>Buffer '2'</b>            |             |        |           |                   |
| Amount of Precip. Absolute   | 620         | 0.0    | 100000.0  | mm                |
| Dew point (act)              | 110         | -50.0  | 60.0      | °C                |
| Abs. Humidity (act)          | 205         | 0.0    | 1000.0    | g/m <sup>3</sup>  |
| Mixing Ratio(act)            | 210         | 0.0    | 1000.0    | g/kg              |
| Abs. Air Pressure(act)       | 300         | 300.0  | 1200.0    | hPa               |
| <b>Buffer '3'</b>            |             |        |           |                   |
| Wet Bulb Temperature (act)   | 114         | -50.0  | 60.0      | °C                |
| Specific Enthalpy (act)      | 215         | -100.0 | 1000.0    | kJ/kg             |
| Air Density                  | 310         | 0.000  | 3.000     | kg/m <sup>3</sup> |
| Compass (act)                | 510         | 0.0    | 359.0     | °                 |

Example: Request Buffer '0'

*0D0!*

0+13.5+85.7+0.2+1017.0+1.8

Air temperature 13.5°C, rel. humidity 85.7%, precipitation 0.2°C, rel. air pressure 1017.0hPa, wind speed 1.8m/s

Device configured for measurement in US units:

| Measurement Value            | UMB Channel | Min    | Max       | Unit              |
|------------------------------|-------------|--------|-----------|-------------------|
| Buffer '0'                   |             |        |           |                   |
| Air Temperature (act)        | 105         | -58.0  | 140.0     | °F                |
| Rel. Humidity (act)          | 200         | 0.0    | 100.0     | %                 |
| Amount of Precip. Difference | 645         | 0.0000 | 3937.0000 | in                |
| Rel. Air Pressure(act)       | 305         | 300.0  | 12000     | hPa               |
| Wind Speed (act)             | 410         | 0.0    | 167.8     | mph               |
| Buffer '1'                   |             |        |           |                   |
| Wind Direction(act)          | 500         | 0.0    | 359.9     | °                 |
| Global Radiation             | 900         | 0.0    | 1400.0    | W/m <sup>2</sup>  |
| Leaf Wetness State (act)     | 711         | 0 / 1  |           |                   |
| External Temperature         | 106         | -4.0   | 176.0     | °F                |
| Buffer '2'                   |             |        |           |                   |
| Amount of Precip. Absolute   | 640         | 0.000  | 3937.000  | in                |
| Dew point (act)              | 115         | -58.0  | 140.0     | °F                |
| Abs. Humidity (act)          | 205         | 0.0    | 1000.0    | g/m <sup>3</sup>  |
| Mixing Ratio(act)            | 210         | 0.0    | 1000.0    | g/kg              |
| Abs. Air Pressure(act)       | 300         | 300.0  | 1200.0    | hPa               |
| Buffer '3'                   |             |        |           |                   |
| Wet Bulb Temperature (act)   | 119         | -58.0  | 140.0     | °F                |
| Specific Enthalpy (act)      | 215         | -100.0 | 1000.0    | kJ/kg             |
| Air Density                  | 310         | 0.000  | 3.000     | kg/m <sup>3</sup> |
| Compass (act)                | 510         | 0.0    | 359.0     | °                 |

### 19.6.5 Additional Measurement Commands

With the additional measurement commands

aM1! ... aM6!

aMC1! ... aMC6! (M-Command, data transmission with CRC)

aC1! ... aC6!

aCC1! ... aCC6! (C- Command, data transmission with CRC)

The complete data sets of the Smart Weather Sensor, as defined for the UMB protocol are available in a SDI-12 environment as well.

The measurement values are ordered according to sensor types.

Equally to the base data sets max. 9 values can be requested with an additional M command, while an additional C request allows for up to 20 values.

The buffer assignment as documented in the following paragraphs has consequently been structured in a way that with each M command the buffers D0 and D1 are used. If the respective sensor type has more values available the buffers D2 up to D4 will be occupied if required.

|          |                                |             |              |
|----------|--------------------------------|-------------|--------------|
| M1 / C1  | Temperature                    | M: 9 Values | C: 9 Values  |
| M2 / C2  | Humidity                       | M: 9 Values | C: 13 Values |
| M3 / C3  | Air Pressure                   | M: 9 Values | C: 9 Values  |
| M4 / C4  | Wind                           | M: 9 Values | C: 14 Values |
| M5 / C5  | Compass                        | M: 1 Values | C: 1 Values  |
| M6 / C6: | Precipitation,<br>Leaf Wetness | M: 9 Values | C: 9 Values  |
| M7 / C7  | Global Radiation               | M: 4 Values | C: 4 Values  |
| M8 / C8  | Ext. Temperature               | M: 1 Value  | C: 1 Value   |

If the sensor type requested with the measurement command is not available with the actual variant of the Smart Weather Sensor (WS200-UMB ... WS700-UMB) the device will respond with

a0000<CR><LF> resp.

a00000<CR><LF>

### 19.6.5.1 Buffer Assignment Additional Measurement Commands M1 / C1: Temperature

Device configured for measurement values in metric units:

| Measurement Value          | UMB Channel | Min   | Max  | Unit |
|----------------------------|-------------|-------|------|------|
| Buffer '0'                 |             |       |      |      |
| Air Temperature (act)      | 100         | -50.0 | 60.0 | °C   |
| Air Temperature (min)      | 120         | -50.0 | 60.0 | °C   |
| Air Temperature (max)      | 140         | -50.0 | 60.0 | °C   |
| Air Temperature (avg)      | 160         | -50.0 | 60.0 | °C   |
| Dew Point (act)            | 110         | -50.0 | 60.0 | °C   |
| Buffer '1'                 |             |       |      |      |
| Dew Point (min)            | 130         | -50.0 | 60.0 | °C   |
| Dew Point (max)            | 150         | -50.0 | 60.0 | °C   |
| Dew Point (avg)            | 170         | -50.0 | 60.0 | °C   |
| Wet Bulb Temperature (act) | 114         | -50.0 | 60.0 | °C   |

Example: Request with M command

*0M1!*

*00009<CR><LF>*

*0D0!*

*0+12.5+10.7+13.5+11.8+5.3<CR><LF>*

*0D1!*

*0+4.2+5.9+5.6+9.8<CR><LF>*

Device configured for measurement values in US units:

| Measurement Value          | UMB Channel | Min   | Max   | Unit |
|----------------------------|-------------|-------|-------|------|
| Buffer '0'                 |             |       |       |      |
| Air Temperature (act)      | 105         | -58.0 | 140.0 | °F   |
| Air Temperature (min)      | 125         | -58.0 | 140.0 | °F   |
| Air Temperature (max)      | 145         | -58.0 | 140.0 | °F   |
| Air Temperature (avg)      | 165         | -58.0 | 140.0 | °F   |
| Dew Point (act)            | 115         | -58.0 | 140.0 | °F   |
| Buffer '1'                 |             |       |       |      |
| Dew Point (min)            | 135         | -58.0 | 140.0 | °F   |
| Dew Point (max)            | 155         | -58.0 | 140.0 | °F   |
| Dew Point (avg)            | 175         | -58.0 | 140.0 | °F   |
| Wet Bulb Temperature (act) | 119         | -58.0 | 140.0 | °F   |



### 19.6.5.2 Buffer Assignment Additional Measurement Commands M2 / C2: Humidity

Device configured for measurement values in metric or US units:

| Measurement Value       | UMB Channel | Min    | Max    | Unit             |
|-------------------------|-------------|--------|--------|------------------|
| <b>Buffer '0'</b>       |             |        |        |                  |
| Rel. Humidity (act)     | 200         | 0.0    | 100.0  | %                |
| Rel. Humidity (min)     | 220         | 0.0    | 100.0  | %                |
| Rel. Humidity (max)     | 240         | 0.0    | 100.0  | %                |
| Rel. Humidity (avg)     | 260         | 0.0    | 100.0  | %                |
| <b>Buffer '1'</b>       |             |        |        |                  |
| Abs. Humidity (act)     | 205         | 0.0    | 1000.0 | g/m <sup>3</sup> |
| Abs. Humidity (min)     | 225         | 0.0    | 1000.0 | g/m <sup>3</sup> |
| Abs. Humidity (max)     | 245         | 0.0    | 1000.0 | g/m <sup>3</sup> |
| Abs. Humidity (avg)     | 265         | 0.0    | 1000.0 | g/m <sup>3</sup> |
| Specific Enthalpy (act) | 215         | -100.0 | 1000.0 | kJ/kg            |
| <b>Buffer '2'</b>       |             |        |        |                  |
| Mixing Ratio(act)       | 210         | 0.0    | 1000.0 | g/kg             |
| Mixing Ratio (min)      | 230         | 0.0    | 1000.0 | g/kg             |
| Mixing Ratio (max)      | 250         | 0.0    | 1000.0 | g/kg             |
| Mixing Ratio (avg)      | 270         | 0.0    | 1000.0 | g/kg             |

Example: Request with M command

```

0M2!
00009<CR><LF>
0D0!
0+48.5+48.2+48.8+48.5<CR><LF>
0D1!
0+5.7+5.5+5.9+5.7+29.3<CR><LF>

```

Example: Request with C command

```

0C2!
000013<CR><LF>
0D0!
0+48.5+48.2+48.8+48.5<CR><LF>
0D1!
0+5.7+5.5+5.9+5.7+29.3<CR><LF>
0D2!
0+4.6+4.4+5.0+4.6<CR><LF>

```

### 19.6.5.3 Buffer Assignment Additional Measurement Commands M3 / C3: Air Pressure

Device configured for measurement values in metric or US units:

| Measurement Value       | UMB Channel | Min   | Max    | Unit  |
|-------------------------|-------------|-------|--------|-------|
| Buffer '0'              |             |       |        |       |
| Abs. Air Pressure(act)  | 300         | 300.0 | 1200.0 | hPa   |
| Abs. Air Pressure (min) | 320         | 300.0 | 1200.0 | hPa   |
| Abs. Air Pressure (max) | 340         | 300.0 | 1200.0 | hPa   |
| Abs. Air Pressure (avg) | 360         | 300.0 | 1200.0 | hPa   |
| Air Density (act)       | 310         | 0.000 | 3.000  | kg/m3 |
| Buffer '1'              |             |       |        |       |
| Rel. Air Pressure (act) | 305         | 300.0 | 1200.0 | hPa   |
| Rel. Air Pressure (min) | 325         | 300.0 | 1200.0 | hPa   |
| Rel. Air Pressure (max) | 345         | 300.0 | 1200.0 | hPa   |
| Rel. Air Pressure (avg) | 365         | 300.0 | 1200.0 | hPa   |

Example: Request with M command

*0M3!*

*00009<CR><LF>*

*0D0!*

*0+1001.0+1000.0+1002.0+1001.0+1.119<CR><LF>*

*0D1!*

*0+1017.0+1016.0+1018.0+1017.0<CR><LF>*

Example: Request with C command

*0C3!*

*000009<CR><LF>*

*0D0!*

*0+1001.0+1000.0+1002.0+1001.0+1.119<CR><LF>*

*0D1!*

*0+1017.0+1016.0+1018.0+1017.0<CR><LF>*

### 19.6.5.4 Buffer Assignment Additional Measurement Commands M4 / C4: Wind

Device configured for measurement values in metric units:

| Measurement Value             | UMB Channel | Min   | Max   | Unit |
|-------------------------------|-------------|-------|-------|------|
| Buffer '0'                    |             |       |       |      |
| Wind Speed (act)              | 400         | 0.0   | 75.0  | m/s  |
| Wind Speed (min)              | 420         | 0.0   | 75.0  | m/s  |
| Wind Speed (max)              | 440         | 0.0   | 75.0  | m/s  |
| Wind Speed (avg)              | 460         | 0.0   | 75.0  | m/s  |
| Wind Speed (vct)              | 480         | 0.0   | 75.0  | m/s  |
| Buffer '1'                    |             |       |       |      |
| Wind Direction (act)          | 500         | 0.0   | 359.9 | °    |
| Wind Direction (min)          | 520         | 0.0   | 359.9 | °    |
| Wind Direction (max)          | 540         | 0.0   | 359.9 | °    |
| Wind Direction (vct)          | 580         | 0.0   | 359.9 | °    |
| Buffer '2'                    |             |       |       |      |
| Wind Direction corr. (act)    | 502         | 0.0   | 359.9 | °    |
| Wind Quality                  | 805         | 0.0   | 100.0 | %    |
| Wind Chill Temperature (act)  | 111         | -60.0 | 70.0  | °C   |
| Wind Speed Standard Dev.*     | 403         | 0.0   | 60.0  | m/s  |
| Wind Direction Standard Dev.* | 503         | 0.0   | 359.9 | °    |

Device configured for measurement values in US units:

| Measurement Value             | UMB Channel | Min   | Max   | Unit |
|-------------------------------|-------------|-------|-------|------|
| Buffer '0'                    |             |       |       |      |
| Wind Speed (act)              | 410         | 0.0   | 167.8 | mph  |
| Wind Speed (min)              | 430         | 0.0   | 167.8 | mph  |
| Wind Speed (max)              | 450         | 0.0   | 167.8 | mph  |
| Wind Speed (avg)              | 470         | 0.0   | 167.8 | mph  |
| Wind Speed (vct)              | 490         | 0.0   | 167.8 | mph  |
| Buffer '1'                    |             |       |       |      |
| Wind Direction (act)          | 500         | 0.0   | 359.9 | °    |
| Wind Direction (min)          | 520         | 0.0   | 359.9 | °    |
| Wind Direction (max)          | 540         | 0.0   | 359.9 | °    |
| Wind Direction (vct)          | 580         | 0.0   | 359.9 | °    |
| Buffer '2'                    |             |       |       |      |
| Wind Direction corr. (act)    | 502         | 0.0   | 359.9 | °    |
| Wind Quality                  | 805         | 0.0   | 100.0 | %    |
| Wind chill Temperature (act)  | 116         | -76.0 | 158.0 | °F   |
| Wind Speed Standard Dev.*     | 413         | 0.0   | 167.8 | mph  |
| Wind Direction Standard Dev.* | 503         | 0.0   | 359.9 | °    |

\*) **Note:** Std.Dev. values will be available after the first request. See p. 11.

### 19.6.5.5 Buffer Assignment Additional Measurement Commands M5 / C5: Compass

Device configured for measurement values in metric or US units:

| Measurement Value | UMB Channel | Min | Max   | Unit |
|-------------------|-------------|-----|-------|------|
| Buffer '0'        |             |     |       |      |
| Compass (act)     | 510         | 0.0 | 359.0 | °    |

Example: Request with M command

*0M5!*

*00001<CR><LF>*

*0D0!*

*0+348.0<CR><LF>*

Example: Request with C command

*0C5!*

*000001<CR><LF>*

*0D0!*

*0+348.0<CR><LF>*

### 19.6.5.6 Buffer Assignment Additional Measurement Commands M6 / C6: Precipitation and Leaf Wetness

Device configured for measurement values in metric units:

| Measurement Value         | UMB Channel | Min           | Max       | Unit |
|---------------------------|-------------|---------------|-----------|------|
| Buffer '0'                |             |               |           |      |
| Precip. Amount absolute   | 620         | 0.0           | 100000.0  | mm   |
| Precip. Amount difference | 625         | 0.00          | 100000.00 | mm   |
| Precipitation Intensity   | 820         | 0.0           | 200.0     | mm/h |
| Precipitation Type        | 700         | 0, 40, 60, 70 |           |      |
| Buffer '1'                |             |               |           |      |
| Leaf Wetness mV (act)     | 710         | 0,0           | 1500,0    | mV   |
| Leaf Wetness mV (min)     | 730         | 0,0           | 1500,0    | mV   |
| Leaf Wetness mV (max)     | 750         | 0,0           | 1500,0    | mV   |
| Leaf Wetness mV (avg)     | 770         | 0,0           | 1500,0    | mV   |
| Leaf Wetness State        | 711         | 0 / 1         |           |      |

Example: Request with M command

*0M6!*

*00009<CR><LF>*

*0D0!*

*0+1324.5+1.10+4.4+60<CR><LF>*

*0D1!*

*0+603.5+562.4+847.4+623.8+1<CR><LF>*

Device configured for measurement values in US units:

| Measurement Value         | UMB Channel | Min       | Max       | Unit |
|---------------------------|-------------|-----------|-----------|------|
| Buffer '0'                |             |           |           |      |
| Precip. Amount absolute   | 640         | 0.000     | 3937.000  | In   |
| Precip. Amount difference | 645         | 0.0000    | 3937.0000 | In   |
| Precipitation Intensity   | 840         | 0.000     | 7.874     | in/h |
| Precipitation Type        | 700         | 0, 60, 70 |           |      |
| Buffer '1'                |             |           |           |      |
| Leaf Wetness mV (act)     | 710         | 0,0       | 1500,0    | mV   |
| Leaf Wetness mV (min)     | 730         | 0,0       | 1500,0    | mV   |
| Leaf Wetness mV (max)     | 750         | 0,0       | 1500,0    | mV   |
| Leaf Wetness mV (avg)     | 770         | 0,0       | 1500,0    | mV   |
| Leaf Wetness State        | 711         | 0 / 1     |           |      |

### 19.6.5.7 Buffer Assignment Additional Measurement Commands M7 / C7: Global Radiation

Device configured for measurement values in metric or US units:

| Measurement Value      | UMB Channel | Min | Max    | Unit             |
|------------------------|-------------|-----|--------|------------------|
| Buffer '0'             |             |     |        |                  |
| Global Radiation (act) | 900         | 0.0 | 1400.0 | W/m <sup>2</sup> |
| Global Radiation (min) | 920         | 0.0 | 1400.0 | W/m <sup>2</sup> |
| Global Radiation (max) | 940         | 0.0 | 1400.0 | W/m <sup>2</sup> |
| Global Radiation (avg) | 960         | 0.0 | 1400.0 | W/m <sup>2</sup> |

Example: Request with M Command

*0M7!*

*00004<CR><LF>*

*0D0!*

*0+780.0+135.0+920.0+530.0<CR><LF>*

### 19.6.5.8 Buffer Assignment Additional Measurement Commands M8 / C8: External Temperature

Device configured for measurement values in metric units:

| Measurement Value          | UMB Channel | Min   | Max  | Unit |
|----------------------------|-------------|-------|------|------|
| Buffer '0'                 |             |       |      |      |
| External Temperature (act) | 101         | -40.0 | 80.0 | °C   |

Example: Request with M Command

*0M8!*

*00001<CR><LF>*

*0D0!*

*0+13.5<CR><LF>*

Device configured for measurement values in US units:

| Measurement Value          | UMB Channel | Min   | Max   | Unit |
|----------------------------|-------------|-------|-------|------|
| Buffer '0'                 |             |       |       |      |
| External Temperature (act) | 106         | -40.0 | 176.0 | °F   |

### 19.6.6 Message Device Identification

The device responds to the identification request with following message (example for SDI-12 device address '0':

*0I!*

013Lufft.dew5x00ynnn

x: device type (4, 5, 6, 2, 3 )

y: Metric / US units ( m = metric, u = US )

nnn: Software version

i.e. for a WS600-UMB, configured for US units:

*0I!*

013Lufft.dew5600u022

### 19.6.7 Message Verification

The command verification aV! is used to evaluate status information of the device. The device responds with

a0005<CR<LF>

to the request, i.e. 5 values are available in the buffers.

The first 3 "measurement values", transmitted in buffer '0' contain the status information of the measurement channels.

The status data of the channels are assembled to form "fake measurement values", where each digit represents one status. See below for the coding of states. Generally each sensor has two status values, one for the direct value and another for the measurement value buffer used for the evaluation of the average, min, and max values.

The last two values, transmitted in buffer '1', show the heating temperatures of wind and precipitation sensor.

| Buffer '0'                                     |   |     |      |      |
|--|---|-----|------|------|
| Status group1: +nnnn                           | Air temperature, air temperature buffer, dew point, dew point buffer  |     |      |      |
| Status group1: +nnnnnn<br>(WS401 / WS601 only) | Air temperature, air temperature buffer, dew point, dew point buffer, leaf wetness status, leaf wetness buffer status   |     |      |      |
| Status group 2: +nnnnnn                        | Rel. Humidity, rel. Humidity buffer, abs. Humidity, abs humidity buffer, mixing ration, mixing ration buffer  |     |      |      |
| Status group 3: +nnnnnn                        | Air pressure, air pressure buffer, wind, wind buffer, compass, precipitation<br>(WS301/501 transmits the global radiation status instead of the precipitation status) |     |      |      |
| Buffer '1', device configured for metric units |   |     |      |      |
| Measurement value                              | UMB Channel   | min | max  | Unit |
| Heating temp. Wind sensor                      | 112   | -50 | +150 | °C   |
| Heating temp. Precip. sensor                   | 113   | -50 | +150 | °C   |
| Buffer '1', device configured for US units     |   |     |      |      |
| Heating temp. Wind sensor                      | 117   | -58 | +302 | °F   |
| Heating temp. Precip. sensor                   | 118   | -58 | +302 | °F   |



## Sensor status codes:

| Sensor status   | Code |
|---|------|
| OK  | 0    |
| UNGLTG_KANAL  | 1    |
| E2_CAL_ERROR<br>E2_CRC_KAL_ERR<br>FLASH_CRC_ERR<br>FLASH_WRITE_ERR<br>FLASH_FLOAT_ERR | 2    |
| MEAS_ERROR  | 3    |
| MEAS_UNABLE   | 4    |
| INIT_ERROR  | 5    |
| VALUE_OVERFLOW<br>CHANNEL_OVERRANGE   | 6    |
| VALUE_UNDERFLOW<br>CHANNEL_UNDERRANGE   | 7    |
| BUSY  | 8    |
| other sensor status   | 9    |

Example (WS600-UMB, SDI-12 Address '0', no error):

```

0V!
00005<CR><LF>
0D0!
0+0000+000000+00000<CR><LF>
0D1!
0+73.0+65.3<CR><LF>

```

Example (WS600-UMB, SDI-12 Address '0', compass failure):

```

0V!
00005<CR><LF>
0D0!
0+0000+000000+000030<CR><LF>
0D1!
0+73.0+65.3<CR><LF>

```

### 19.6.8 Message Change of Unit System

The command is used to change the unit system used for the SDI12 data between metric and US units. It is implemented as manufacturer specific X command.

Command: aXU<u/m>!

Response: aU<u/m><CR><LF>

u: US units

m: metric units

Example: change to metric units, SDI-12 address '0'

0XUm!

0Um<CR><LF>

### 19.6.9 Message: Setting of the Averaging Interval Length

The avg, min, max and vct values of the measurement values are evaluated over a floating interval with a length of 1 to 10 min. The length of this interval can be adjusted separately for the groups temperature / humidity, air pressure and wind. (The averaging algorithm is not applied to precipitation and compass).

Command: aXA<t/p/w/r>+nn!

t: Temperature and Humidity

p: Air pressure

w: Wind

r: Global radiation

nn: Interval in minutes, valid range: 1 bis 10

Response: aXA<t/p/w/r>+nn<CR><LF>

The response to the attempt of setting of an invalid interval length is

aXAf<CR><LF>

Example: Setting the interval for temperature and humidity to 5 minutes

0XAt+5!

0XAt+5<CR><LF>

### 19.6.10 Message: Setting of the Local Altitude

For the calculation of the relative air pressure the local altitude of the device is required.

Command: aXH+nnnn!

nnnn: local altitude of the sensor in m

Response: aXH+nnnn<CR><LF>

The response to the attempt of setting of an invalid altitude (-100 < altitude < 5000) is

aXHf<CR><LF>

Example: The altitude of the installation location is 135m above sea level

0XH+135!

0XH+135<CR><LF>

### 19.6.11 Setting of the Local Magnetic Declination

For exact compass heading the local magnetic declination must be set.

Command: aXD+nnn.n!

nnn.n: local magnetic declination at installation site in ° \*)

Response: aXD+nnn.n<CR><LF>

The response to the attempt of setting of an invalid altitude (-180.0<declination<+180.0) is aXDf<CR><LF>

Example: The declination at the installation location is -5.3°

*0XD-5.3!*

*0XD-5.3<CR><LF>*

\*) The magnetic declination is available from various web sites, e.g.

<http://www.ngdc.noaa.gov/geomag-web/#declination>

### 19.6.12 Message: Activation / Deactivation of Compass Correction

The correction of the wind direction by the compass bearing can be activated or deactivated.

Command: aXW<c/u>!

c: wind direction is corrected by the compass bearing

u: wind direction is not corrected

Response: aXW<c/u><CR><LF>

The response to the attempt of setting an invalid option is

aXWf<CR><LF>

Example: Compass correction of wind direction is activated

*0XWc!*

*0XWc<CR><LF>*

### 19.6.13 Message: Setting the Power Saving Mode

For installations with limited power supply the Smart Weather Sensor may be operated in power saving mode (see Chap. 36).



**Note:** Operation in power saving mode has some functional restrictions!

Command: aXL<n/s/w>!

n: Normal Operation

s: Power saving mode 1 (Heating/Fan off)

w: Power saving mode 2 (Sleep mode)

Response: aXL<n/s/w><CR><LF>

The response is followed by the device reset, i.e. the device will be offline for a few seconds.

The response to the selection of an invalid option or of an invalid combination of mode and device model is

aXLf<CR><LF>

Example: The device shall be set to power saving mode 2

*0XLw!*

*0XLw<CR><LF>*

#### 19.6.14 Message: Setting the Heating Mode

The heating of the precipitation and the wind sensors can be configured in different operation modes (see chapter 10.4). Depending on the actual variant of the Smart Weather Sensor (WS200-UMB ...WS700-UMB) only certain combinations of operating modes are available. The Smart Weather Sensor evaluates the valid combinations from the device heating mode requested in the command automatically.

Command: aXMn!

n: Heating Operating Mode (0: Automatic, 1: Mode 1, 2: Off, 3: Eco Mode 1)

Response: aXMnm<CR><LF>

n: Selected Heating Mode Wind Sensor

m: Selected Heating Mode Precipitation Sensor

The response to the attempt of setting an invalid operation mode is

aXMf<CR><LF>

Example: A WS400-UMB shall be set to Mode 1

*0XM1!*

*0XM21<CR><LF>*

As the WS400-UMB does not have a wind sensor the heating mode wind is automatically set to 2 (= off).

#### 19.6.15 Message: Setting of the Leaf Wetness Threshold

The parameter to be set defines the voltage threshold for the leaf wetness sensor (WS401-UMB and WS601-UMB only, see p. 62), where the leaf wetness state changes between 0 and 1. With SDI12 operation, the voltage value required for the evaluation of the correct threshold setting is retrieved with the aM6! command (see p.109).

Command: aXB+nnn.n!

nnn.n: threshold for leaf wetness state in mV

Response: aXB+nnn.n<CR><LF>

The response to the attempt of setting of an invalid threshold ( $200.0 \leq \text{threshold} \leq 1200.0$ ) is

aXBf<CR><LF>

Example: The leaf wetness voltage measured in dry condition is 613mV. The recommended setting of the threshold is 633mV

*0XB+633.0!*

*0XD+633.0<CR><LF>*

**19.6.16 Message: Setting of the Rain Gauge Resolution**

The resolution of the tipping bucket rain gauge of WS401-UMB and WS601-UMB, as well as the resolution of an optional external rain gauge connected to a model without internal precipitation measurement can be mechanically adjusted (see p. 32). The mechanical resolution must be set in the sensor configuration.

Command: aXK+n!

n: resolution of the rain gauge in 1/10mm, valid settings 1, 2, 5, 10  
(0.1mm, 0.2mm, 0.5mm, 1.0mm)

Response: aXK+n<CR><LF>

The response to the attempt of setting of an invalid resolution is  
aXKf<CR><LF>

Example: The mechanical resolution of the rain gauge is 0.2mm

*0XK+2!*

*0XK+2<CR><LF>*

**19.6.17 Message: Clearing the Absolute Precipitation Amount**

The command clears the accumulated absolute precipitation amount to 0.0mm. At the same time a device reset is applied.

Command: aXC!

Response: aXCok<CR><LF>

The response is followed by the device reset, i.e. the device will be offline for a few seconds.

Example:

*0XC!*

*0XCok<CR><LF>*

**19.6.18 Message: Device Reset**

The command initiates a device reset.

Command: aXR!

Response: aXRok<CR><LF>

The response is followed by the device reset, i.e. the device will be offline for a few seconds.

Example:

*0XR!*

*0XRok<CR><LF>*

## 19.7 Communication in Modbus Mode

For a simpler integration of WS family Smart Weather Sensors into a PLC environment the Modbus communication protocol has been made available.

Measurement values are mapped to Modbus Input Registers. The range of values available is basically the same as for the UMB protocol, including different unit systems.

In the interest of simple and safe integration the use of register pairs for floating point values or 32 bit integers, which is not part of the Modbus standard, has not been applied. All measurement values are mapped to 16bit integers using suitable scaling factors.

### 19.7.1 Modbus Communication Parameters

The Smart Weather Sensor can be configured for MODBUS-RTU or for MODBUS-ASCII.

The base configuration has to be done using the UMB Config Tool.

When selecting MODBUS RTU or MODBUS-ASCII with the UMB Config Tool, communication parameters 19200 Bd, even parity, will be preselected.

Modbus operating modes: MODBUS-RTU, MODBUS-ASCII

Baud rate: 19200 (9600, 4800 or lower)

Interface Setting 8E1, 8N1, 8N2



**NOTE:** The Modbus communication has been tested for a poll rate of 1 sec. The proper function of the Smart Weather Sensor with higher Modbus poll rates has not been tested.

We suggest to set the poll rate to 10 sec or slower, as, with the exception of the channels „wind speed / wind directions fast“, which are provided for special purposes, the update rate of the data is  $\geq 10$ sec. Anyway for most of the weather data significant changes have to be expected more in the range of minutes.

### 19.7.2 Addressing

The Modbus address is deducted from the the UMB device ID (see Chap. 19.3.2).

A device with UMB device ID 1 also has the UMB address 1, etc..

The valid address range of Modbus from 1 to 247 is smaller than that of the UMB device IDs. If a UMB device ID  $> 247$  has been selected, the Modbus address will be set to 247.

### 19.7.3 Modbus Functions

The functions of conformance class 0 and 1 have been implemented as far as they are applicable for the Smart Weather Sensor, i.e. all functions operating on register level.

|      | <b>Conformance Class 0</b> |   |
|------|----------------------------|---|
| 0x03 | Read Holding Registers     | Selected configuration settings           |
| 0x16 | Write Multiple Registers   | Selected configuration settings           |
|      | <b>Conformance Class 1</b> |   |
| 0x04 | Read Input Registers       | Measurement values and status information |
| 0x06 | Write Single Register      | Selected configuration settings           |
| 0x07 | Read Exception Status      | Currently not used                        |
|      | <b>Diagnostics</b>         |   |
| 0x11 | Report Slave ID            | (responds also to broadcast address)      |

#### 19.7.3.1 Function 0x03 Read Holding Registers

The Holding Registers are used to make a selected set of adjustable parameters available for Modbus access. As for the measurement values the parameters are mapped to 16bit integers.

| Reg. No. | Reg. Addr | Function                            | Values  | Scale |
|----------|-----------|-------------------------------------|---|-------|
| 1        | 0         | Local Altitude                      | Altitude in m, for calculation of relative air pressure<br>Value range -100 ... 5000                                    | 1.0   |
| 2        | 1         | Deviation                           | Local deviation for the correction of compass heading.<br>Value range -3599 ... 3599<br>(equalling -359.9° ... +359.9°) | 10.0  |
| 3        | 2         | Averaging Interval TFF              | Interval for averaging and min/max evaluation in minutes<br>Value range 1 ... 10  | 1.0   |
| 4        | 3         | Averaging Interval Air Pressure     | Interval for averaging and min/max evaluation in minutes<br>Value range 1 ... 10  | 1.0   |
| 5        | 4         | Averaging Interval Wind             | Interval for averaging and min/max evaluation in minutes<br>Value range 1 ... 10  | 1.0   |
| 6        | 5         | Averaging Interval Global Radiation | Interval for averaging and min/max evaluation in minutes<br>Value range 1 ... 10  | 1.0   |
| 7        | 6         | Heating Mode                        | High-Byte: Heating Mode Wind<br>Low-Byte Heating Mode R2S<br>Value range of each byte 0 ... 3<br>(Details s. 10.4)      |       |
| 8        | 7         | Reset abs. Rain                     | (Function only when writing to the register, reading will give 0 always)  |       |
| 9        | 8         | Device reset                        | (Function only when writing to the register, reading will give 0 always)  |       |

#### Heating Modes (see 10.5):

|           |   |
|-----------|---|
| Automatic | 0 |
| Mode 1    | 1 |
| Off       | 2 |
| Eco 1     | 3 |

#### 19.7.3.2 Function 0x06 Write Holding Register, 0x10 Write Multiple Registers

By writing into the holding registers selected parameters of the Smart Weather Sensor can be adjusted through Modbus.

Register assignment see 19.7.3.1

The transmitted values will be checked for plausibility. Illegal values will not be accepted and cause a Modbus exception.

When writing the value 0x3247 (12871d) to register no. 8 (reg. addr. 7) the stored absolute rain amount will be set to 0. Subsequently a device reset will be initiated.

When writing the value 0x3247 (12871d) to register no. 9 (reg. addr. 8) a device reset will be initiated.

### 19.7.3.3 Function 0x04 Read Input Registers

The input registers are containing the measurement values of the Smart Weather Sensor and the related status information.

The measurement values are mapped to the 16bit registers using scaling factors (0 ... max. 65530 for unsigned values, -32762 ... 32762 for signed values).

Values 65535 (0xffff) resp. 32767 are used for the indication of erroneous or not available measurement values. A more detailed specification of the error can be evaluated from the status registers.

The assignment of values to the available register addresses (0 ... 124) has been arranged in a way so that the user can read the most frequently used data with few (ideally only one) register block requests

Following blocks have been defined:

- Status information
- Frequently used values which are independent of the unit system (met./ imp.) in use
- Frequently used values in metric units
- Frequently used values in imperial units
- Other measurement values

When using the metric unit system the first three blocks can supply all data usually required with one request.

There is no difference in the register assignment between the sub types of the WS family. If, dependent on the type, some value is not available, this will be indicated by setting the register to the error value.

For detailed information about measurement ranges, units etc. please refer to the related description of the UMB channels (Chapter 6 and 19.1)

| Reg. No. | Reg. Addr. | Value (UMB Channel)       | Range   | Scaling Factor, Remarks            |
|----------|------------|---------------------------|---|------------------------------------|
|          |            | <b>Status Information</b> |   |                                    |
| 1        | 0          | Identification            | High Byte: WS-Type (2,3,4,5,6)<br>Low Byte: Software Version  |                                    |
| 2        | 1          | Device Status             |   |                                    |
| 3        | 2          | Sensor Status 1           | Air temperature buffer, air temperature, dew point buffer, dew point(high byte -> low byte, see table below)          | Coding 4 bit per status, see below |
| 4        | 3          | Sensor Status 2           | Rel. humidity buffer, rel. humidity, abs. humidity buffer, abs. humidity(high byte -> low byte, see table below)      | Coding 4 bit per status, see below |
| 5        | 4          | Sensor Status 3           | Mixing ratio buffer, mixing ration, air press. buffer, air press. (high byte -> low byte, see table below)            | Coding 4 bit per status, see below |
| 6        | 5          | Sensor Status 4           | Wind, wind buffer, precipitation, compass(high byte -> low byte, see table below)                                     | Coding 4 bit per status, see below |
| 7        | 6          | Sensor Status 5           | Global radiation buffer, global radiation, leaf wetness buffer, leaf wetness (high byte -> low byte, see table below) | Coding 4 bit per status, see below |
| 8        | 7          | Sensor Status 6           | External temperature (see table below)  |                                    |
| 9        | 8          | Reserve                   |   |                                    |
| 10       | 9          |                           | Diagnostic: run time in 10sec steps   |                                    |



| Reg. No.                                     | Reg. Addr. | Value (UMB Channel) | Range                        | Scaling Factor, signed/unsigned, Remarks |
|--|------------|---------------------|------------------------------|--|
| <b>Values Independent of the Unit System</b> |            |                     |                              |  |
| 11   | 10         | 200                 | Relative Humidity (act.)     | Factor 10, s                             |
| 12   | 11         | 220                 | Relative Humidity (min.)     | Factor 10, s                             |
| 13   | 12         | 240                 | Relative Humidity (max.)     | Factor 10, s                             |
| 14   | 13         | 260                 | Relative Humidity (avg.)     | Factor 10, s                             |
| 15   | 14         | 305                 | Rel. Air Pressure (act.)     | Factor 10, s                             |
| 16   | 15         | 325                 | Rel. Air Pressure (min.)     | Factor 10, s                             |
| 17   | 16         | 345                 | Rel. Air Pressure (max.)     | Factor 10, s                             |
| 18   | 17         | 365                 | Rel. Air Pressure (avg.)     | Factor 10, s                             |
| 19   | 18         | 500                 | Wind Direction (act.)        | Factor 10, s                             |
| 20   | 19         | 520                 | Wind Direction (min.)        | Factor 10, s                             |
| 21   | 20         | 540                 | Wind Direction (max.)        | Factor 10, s                             |
| 22   | 21         | 580                 | Wind Direction (vct.)        | Factor 10, s                             |
| 23   | 22         | 501                 | Wind Direction fast          | Factor 10, s                             |
| 24   | 23         | 502                 | Wind Direction compass corr. | Factor 10, s                             |
| 25   | 24         | 510                 | Compass                      | Factor 10, s                             |
| 26   | 25         | 700                 | Precipitation Type           | Factor 1, s                              |
| 27   | 26         | 805                 | Wind Measurement Quality     | Factor 1, u                              |
| 28   | 27         | 900                 | Global Radiation (act.)      | Factor 10, s                             |
| 29   | 28         | 920                 | Global Radiation (min.)      | Factor 10, s                             |
| 30   | 29         | 940                 | Global Radiation (max.)      | Factor 10, s                             |
| 31   | 30         | 960                 | Global Radiation (avg.)      | Factor 10, s                             |

| Reg. No.                      | Reg. Addr. | Value (UMB Channel) | Range                       | Scaling Factor, signed/unsigned Remarks |
|-------------------------------|------------|---------------------|-----------------------------|---|
| <b>Values in Metric Units</b> |            |                     |                             |   |
| 32                            | 31         | 100                 | Air Temperature °C (act.)   | Factor 10, s                            |
| 33                            | 32         | 120                 | Air Temperature °C (min.)   | Factor 10, s                            |
| 34                            | 33         | 140                 | Air Temperature °C (max.)   | Factor 10, s                            |
| 35                            | 34         | 160                 | Air Temperature °C (avg.)   | Factor 10, s                            |
| 36                            | 35         | 110                 | Dew Point °C (akt.)         | Factor 10, s                            |
| 37                            | 36         | 130                 | Dew Point °C (min.)         | Factor 10, s                            |
| 38                            | 37         | 150                 | Dew Point °C (max.)         | Factor 10, s                            |
| 39                            | 38         | 170                 | Dew Point °C (avg.)         | Factor 10, s                            |
| 40                            | 39         | 111                 | Wind Chill-Temperature °C   | Factor 10, s                            |
| 41                            | 40         | 112                 | Heating Temperature Wind °C | Factor 10, s                            |
| 42                            | 41         | 113                 | Heating Temperature R2S °C  | Factor 10, s                            |
| 43                            | 42         | 400                 | Wind Speed m/s (akt.)       | Factor 10, s                            |
| 44                            | 43         | 420                 | Wind Speed m/s (min.)       | Factor 10, s                            |
| 45                            | 44         | 440                 | Wind Speed m/s (max.)       | Factor 10, s                            |
| 46                            | 45         | 460                 | Wind Speed m/s (avg.)       | Factor 10, s                            |
| 47                            | 46         | 480                 | Wind Speed m/s (vct.)       | Factor 10, s                            |
| 48                            | 47         | 401                 | Wind Speed fast m/s         | Factor 10, s                            |
| 49                            | 48         | 620                 | Precipitation abs. mm       | Factor 100, u, limited to 655.34mm      |
| 50                            | 49         | 620                 | Precipitation diff. mm      | Factor 100, u, limited to 100.00mm      |
| 51                            | 50         | 820                 | Precipitation intens. mm/h  | Factor 100, u, limited to 200.00mm/h    |

| Reg. No.                  | Reg. Addr. | Value (UMB Channel) | Range                       | Scaling Factor, signed/unsigned Remarks |
|---------------------------|------------|---------------------|-----------------------------|---|
| <b>Values in US Units</b> |            |                     |                             |   |
| 52                        | 51         | 105                 | Air Temperature °F (act.)   | Factor 10, s                            |
| 53                        | 52         | 125                 | Air Temperature °F (min.)   | Factor 10, s                            |
| 54                        | 53         | 145                 | Air Temperature °F (max.)   | Factor 10, s                            |
| 55                        | 54         | 165                 | Air Temperature °F (avg.)   | Factor 10, s                            |
| 56                        | 55         | 115                 | Dew Point °F (act.)         | Factor 10, s                            |
| 57                        | 56         | 135                 | Dew Point °F (min.)         | Factor 10, s                            |
| 58                        | 57         | 155                 | Dew Point °F (max.)         | Factor 10, s                            |
| 59                        | 58         | 175                 | Dew Point °F (avg.)         | Factor 10, s                            |
| 60                        | 59         | 116                 | Wind Chill-Temperature °F   | Factor 10, s                            |
| 61                        | 60         | 117                 | Heating Temperature Wind °F | Factor 10, s                            |
| 62                        | 61         | 118                 | Heating Temperature R2S °F  | Factor 10, s                            |
| 63                        | 62         | 410                 | Wind Speed mph (act.)       | Factor 10, s                            |
| 64                        | 63         | 430                 | Wind Speed mph (min.)       | Factor 10, s                            |
| 65                        | 64         | 450                 | Wind Speed mph (max.)       | Factor 10, s                            |
| 66                        | 65         | 470                 | Wind Speed mph (avg.)       | Factor 10, s                            |
| 67                        | 66         | 490                 | Wind Speed mph (vct.)       | Factor 10, s                            |
| 68                        | 67         | 411                 | Wind Speed fast mph         | Factor 10, s                            |
| 69                        | 68         | 640                 | Precipitation abs. In       | Factor 1000, u, limited to 25.800 in    |
| 70                        | 69         | 640                 | Precipitation diff. in      | Factor 10000, u, limited to 3.9370in    |
| 71                        | 70         | 840                 | Precipitation Intens. in/h  | Factor 10000, u, limited to 6.5534 in   |

| Reg. No. | Reg. Addr. | Value (UMB Channel)   | Range                         | Scaling Factor, signed/unsigned, Remarks |
|----------|------------|-----------------------|-------------------------------|--|
|          |            | <b>Further Values</b> |                               |  |
|          | 71         | 205                   | Absolute Humidity (act.)      | Factor 10, s                             |
| 73       | 72         | 225                   | Absolute Humidity (min.)      | Factor 10, s                             |
| 74       | 73         | 245                   | Absolute Humidity (max.)      | Factor 10, s                             |
| 75       | 74         | 265                   | Absolute Humidity (avg.)      | Factor 10, s                             |
| 76       | 75         | 210                   | Mixing Ratio (act.)           | Factor 10, s                             |
| 77       | 76         | 230                   | Mixing Ratio (min.)           | Factor 10, s                             |
| 78       | 77         | 250                   | Mixing Ratio (max.)           | Factor 10, s                             |
| 79       | 78         | 270                   | Mixing Ratio (avg.)           | Factor 10, s                             |
| 80       | 79         | 300                   | Abs. Air Pressure (act.)      | Factor 10, s                             |
| 81       | 80         | 320                   | Abs. Air Pressure (min.)      | Factor 10, s                             |
| 82       | 81         | 340                   | Abs. Air Pressure (max.)      | Factor 10, s                             |
| 83       | 82         | 360                   | Abs. Air Pressure (avg.)      | Factor 10, s                             |
| 84       | 83         | 405                   | Wind Speed km/h (act.)        | Factor 10, s                             |
| 85       | 84         | 425                   | Wind Speed km/h (min.)        | Factor 10, s                             |
| 86       | 85         | 445                   | Wind Speed km/h (max.)        | Factor 10, s                             |
| 87       | 86         | 465                   | Wind Speed km/h (avg.)        | Factor 10, s                             |
| 88       | 87         | 485                   | Wind Speed km/h (vct.)        | Factor 10, s                             |
| 89       | 88         | 415                   | Wind Speed kts (act.)         | Factor 10, s                             |
| 90       | 89         | 435                   | Wind Speed kts (min.)         | Factor 10, s                             |
| 91       | 90         | 455                   | Wind Speed kts (max.)         | Factor 10, s                             |
| 92       | 91         | 475                   | Wind Speed kts (avg.)         | Factor 10, s                             |
| 93       | 92         | 495                   | Wind Speed kts (vct.)         | Factor 10, s                             |
| 94       | 93         | 406                   | Wind Speed fast km/h          | Factor 10, s                             |
| 95       | 94         | 416                   | Wind Speed fast kts           | Factor 10, s                             |
| 96       | 95         | 403                   | Wind Speed Std. Dev. m/s *    | Factor 100, s                            |
| 97       | 96         | 413                   | Wind Speed Std. Dev. Mph *    | Factor 100, s                            |
| 98       | 97         | 503                   | Wind Dir. Standard Dev.*      | Factor 100, s                            |
| 99       | 98         | 114                   | Wet Bulb Temp. °C (act)       | Factor 10, s                             |
| 100      | 99         | 119                   | Wet Bulb Temp. °F (act)       | Factor 10, s                             |
| 101      | 100        | 215                   | Specific Enthalpy (act)       | Factor 10, s                             |
| 102      | 101        | 310                   | Air Density (act)             | Factor 1000, s                           |
| 103      | 102        | 710                   | Leaf Wetness mV (act)         | Factor 1, s                              |
| 104      | 103        | 730                   | Leaf Wetness mV (min)         | Factor 1, s                              |
| 105      | 104        | 750                   | Leaf Wetness mV (max)         | Factor 1, s                              |
| 106      | 105        | 770                   | Leaf Wetness mV (avg)         | Factor 1, s                              |
| 107      | 106        | 711                   | Leaf Wetness State (act)      | Factor 1, s                              |
| 108      | 107        | 101                   | External Temperature °C (act) | Factor 10, s                             |
| 109      | 108        | 109                   | External Temperature °F (act) | Factor 10, s                             |
| 110      | 109        | 806                   | Wind Value Quality (fast)     | Factor 1, u                              |
|          |            | Reserved              |                               |  |

\*) **Note:** Standard deviation values are available after the first request. Please see p. 11

**Sensor Status:**

Each register holds 4 sensor status coded with 4 bits per status, so that together they build one 16bit number. The sequence defined in the table above is to understand as from most significant half byte to least significant half byte. Most of the sensors have two status values, one for the sensor itself and the current measurement value, another one for the buffer, from which average, min. And max values are evaluated.

## Assignment of Status Information to Status Register

| Register        | Byte | Half-Byte | Status                  |
|-----------------|------|-----------|-------------------------|
| Sensor Status 1 | High | High      | Temperature Buffer      |
|                 |      | Low       | Temperature             |
|                 | Low  | High      | Dewpoint Buffer         |
|                 |      | Low       | Dewpoint                |
| Sensor Status 2 | High | High      | Rel. Humidity Buffer    |
|                 |      | Low       | Rel. Humidity           |
|                 | Low  | High      | Abs. Humidity Buffer    |
|                 |      | Low       | Abs. Humidity           |
| Sensor Status 3 | High | High      | Mixing Ratio Buffer     |
|                 |      | Low       | Mixing Ratio            |
|                 | Low  | High      | Air Pressure Buffer     |
|                 |      | Low       | Air Pressure            |
| Sensor Status 4 | High | High      | Wind Buffer             |
|                 |      | Low       | Wind                    |
|                 | Low  | High      | Precipitation           |
|                 |      | Low       | Compass                 |
| Sensor Status 5 | High | High      | Global Radiation Buffer |
|                 |      | Low       | Global Radiation        |
|                 | Low  | High      | Leaf Wetness Buffer     |
|                 |      | Low       | Leaf Wetness            |
| Sensor Status 6 | High | High      |                         |
|                 |      | Low       | External Temperature    |
|                 | Low  | High      |                         |
|                 |      | Low       |                         |

**Example Sensor Status 1:**

Temperature buffer status, temperature status, dewpoint buffer status, dewpoint status

| High Byte              |                 | Low Byte             |           |
|------------------------|-----------------|----------------------|-----------|
| High                   | Low             | High                 | Low       |
| Temperatur<br>e-Buffer | Temperatur<br>e | Dew point-<br>Buffer | Dew point |
| 5                      | 3               | 0                    | 7         |

The example values above (for illustration only, the given combination will not occur in reality) are combined to the register value  $0x5307 = 21255$ .

The single status are retrieved from the register as integer part of

- Status 1 = register / 4096  
 Status 2 = (register / 256) AND 0x000F  
 Status 3 = (register / 16) AND 0x000F  
 Status 4 = register AND 0x000F

Following table shows the status coding:

Coding of Sensor Status:

| Sensor State  | Code |
|---|------|
| OK  | 0    |
| UNGLTG_KANAL  | 1    |
| E2_CAL_ERROR<br>E2_CRC_KAL_ERR<br>FLASH_CRC_ERR<br>FLASH_WRITE_ERR<br>FLASH_FLOAT_ERR | 2    |
| MEAS_ERROR,<br>MEAS_UNABLE  | 3    |
| INIT_ERROR  | 4    |
| VALUE_OVERFLOW<br>CHANNEL_OVERRANGE<br>VALUE_UNDERFLOW<br>CHANNEL_UNDERRANGE          | 5    |
| BUSY  | 6    |
| Other Sensor State  | 7    |

### 19.8 Communication: XDR Protocol

The XDR protocol allows to transmit a selected data set of the Smart Weather Sensor in a NMEA compatible format. The data telegram can be transmitted on request, or the Smart Weather Sensor can be set into auto transmit mode, where the data telegram will be triggered automatically at an selectable interval.

A set of ASCII configuration messages allows to apply some configuration settings without leaving the XDR protocol.

For configuration settings exceeding this command set use the UMB Config Tool. To change into the UMB protocol a UMB message must be addressed to the device within 5 seconds after power up or reset.

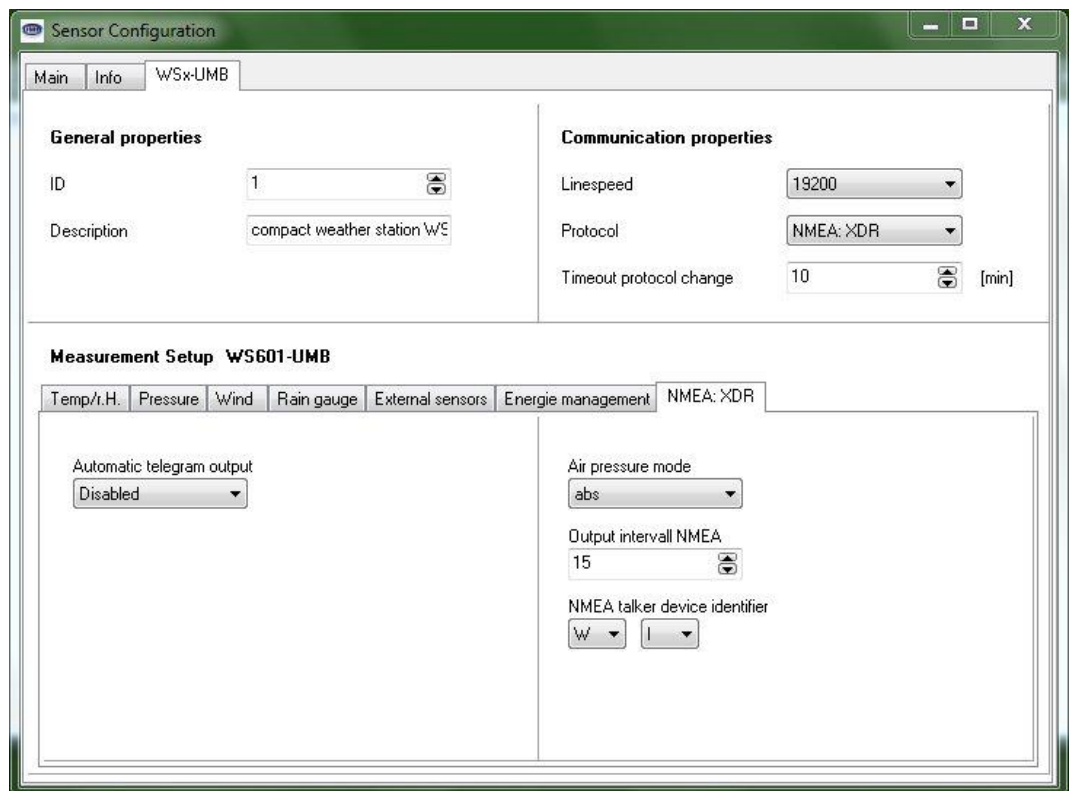


Figure 39: Sensor Configuration XDR

|                                      |   |
|--------------------------------------|---|
| <b>Protocol</b>                      | XDR protocol selected   |
| <b>Automatic telegram output</b>     | activate continuous mode (automatic result message transmission)                    |
| <b>Air pressure mode</b>             | select absolute or relative air pressure for the measurement data message (seconds) |
| <b>Output Interval NMEA</b>          | Interval for automatic result message transmission                                  |
| <b>NMEA talker device identifier</b> | Select the Talker ID part of the NMEA telegram header                               |

### 19.8.1 Basic Interface Properties

- Baud rate configurable from 1200bps to 57600bps, character format 8 bits, no parity, 1 stop bit (8N1).
- Unit ID equal to UMB device ID, but limited to 98. 99 is the broadcast ID
- Data output on request or continuously (configurable)
- Commands and messages use strictly ASCII text mode

### 19.8.2 Message Format for Commands and Responses

| Byte     |          |                        |
|----------|----------|------------------------|
| 0        | '*'      | Start Character        |
| 1,2      | '01'     | Destination ID         |
| 3,4      | '00'     | Source ID              |
| 5 ... n  |          | Command Data (min. 2)  |
| n+1, n+2 | <CR><LF> | Termination Characters |

The command data field always starts with the 2-character command identifier, optionally followed by a parameter, starting with '='.

Currently implemented commands are

- P9 single measurement XDR format
- PP start continuous measurement XDR format
- PB single measurement PWSD format
- PC start continuous measurement PWSD format
- GW option: add MWD sentence (wind data) to XDR format
- MI continuous measurement interval
- J3 pressure mode (absolute air pressure / relative air pressure)
- JS pressure sensor elevation
- JW spot or average output of wind data
- BR baud rate
- ID unit ID
- NH message prefix

If the device receives an invalid command (missing start or termination character, invalid ID, invalid structure etc.), it will not respond.

If a setting command contains an invalid parameter value, the device will not respond.

Setting commands must usually be preceded by the "Write Enable" command EW. This command does not generate a response, and may be, different from other commands, transmitted without message terminators (<CR><LF>). I.e. the write enable and the set command may be concatenated without terminators between the commands.

Example:

```
0100EW*0100J3=1<CR><LF>
```

and

```
0100EW<CR><LF>*0100J3=1<CR><LF>
```

are both valid command sequences for setting the pressure mode.

Setting commands not requiring a preceding write enable are marked in the command description.



### 19.8.3 Message Format for Measurement Data XDR

The message format for P9 / PP measurement data follows the definition for NMEA WI (weather instrument) XDR messages.

The message is field oriented, with variable length. The fields are separated by ','.

#### Message format:

\$hhhhh,P,x.xxxx,B,0,C,yy.y,C,0,H,zz.z,P,0<CR><LF>

|          |   |
|----------|---|
| \$hhhhh  | Message header, default \$WIXDR (WI : Talker identifier "weather instruments", XDR: sentence identifier "transducer measurements") *) |
| ,        | separator   |
| P        | transducer type "pressure"  |
| ,        | separator   |
| x.xxxx   | air pressure value in Bar   |
| ,        | separator   |
| B        | unit: bars (= hPa)  |
| ,        | separator   |
| 0        | Transducer ID, set to 0   |
| ,        | separator   |
| C        | transducer type temperature   |
| ,        | separator   |
| yy.y     | temperature in °C   |
| ,        | separator   |
| C        | unit: °C  |
| ,        | separator   |
| 0        | Transducer ID, set to 0   |
| ,        | separator   |
| H        | transducer type humidity  |
| zz.z     | relative humidity in %  |
| ,        | separator   |
| P        | unit: %   |
| ,        | separator   |
| 0        | Transducer ID, set to 0   |
| <CR><LF> | sentence terminator   |

\*) The message header can be modified. The UMB config tool allows modifying the talker ID bytes. The XDR setting command NH allows changing the complete message header. The leading '\$' is fixed and can not be modified.

#### 19.8.4 Message Format for Measurement Data MWD

The P9 / PP measurement data transmission can be optionally extended by a MWD sentence containing wind data. The MWD sentence follows the definition for NMEA WI (weather instrument) messages.

This option can be activated or deactivated by the GW command.

The JW command selects between spot value and average value output of wind data.

The message is field oriented, with variable length. The fields are separated by ','.

##### Message format:

\$hhhhh, aaa.a,T,bbb.b,M,cc.c,N ,dd.d,M <CR><LF>

|          |   |
|----------|---|
| \$hhhhh  | Message header, default \$WIMWD (WI : Talker identifier "weather instruments", MWD: sentence identifier "wind measurements") *) |
| ,        | separator   |
| aaa.a    | wind direction in °   |
| ,        | separator   |
| T        | identifier "True North"   |
| ,        | separator   |
| bbb.b    | wind direction in °   |
| ,        | separator   |
| M        | identifier "Magnetic Nord"  |
| ,        | separator   |
| cc.c     | wind speed in knots   |
| ,        | separator   |
| N        | unit: kts   |
| ,        | separator   |
| dd.d     | wind speed in m/s   |
| ,        | separator   |
| M        | unit: m/s   |
| <CR><LF> | sentence terminator   |

\*) The message header can be modified. The MWD sentence uses the same talker ID as the XDR sentence, which can be modified by the UMB config tool or the XDR setting command NH. The leading '\$' is and the identifier MWD are fixed and can not be modified

\*\*\*) here wind direction "true" and wind direction "magnetic" are identical.

### 19.8.5 Message Format for Measurement 0R0

The 0R0 sentence format is a proprietary format similar to NMEA 0183 rules. The 0R0 sentence contains essential measurement values of the compact weather station and is designed for compatibility with existing installations.

The sentence is requested by the PB command for single measurement and PC for cyclic transmission.

If certain measurement values are not available for the subtype of the individual weather station the related value will be replaced by 999999. The same applies for measurement values with status not "OK".

The message is field oriented, with variable length. The fields are separated by ','.

#### Message Format:

0R0,Dm=aaaD,Sm=bb.bM,Ta=cc.cC,Ua=dd.dP,Pa=e.eeeeB,Rc=f.ffM, Pt=ggN<CR><LF>

|        |   |
|--------|---|
| 0R0    | message header  |
| ,      | separator   |
| Dm     | identifier wind direction                                     |
| =      | separator   |
| aaa    | wind direction in °   |
| D      | unit °  |
| ,      | separator   |
| Sm     | identifier wind speed   |
| =      | separator   |
| bb.b   | wind speed in m/s   |
| M      | unit m/s  |
| ,      | separator   |
| Ta     | identifier air temperature                                    |
| =      | separator   |
| cc.c   | air temperature in °C   |
| C      | unit: °C  |
| ,      | separator   |
| Ua     | identifier relative humidity                                  |
| =      | separator   |
| dd.d   | relative humidity in %  |
| P      | unit %  |
| ,      | separator   |
| Pa     | identifier air pressure                                       |
| =      | separator   |
| e.eeee | air pressure in Bar   |
| B      | unit Bar  |
| ,      | separator   |
| Rc     | identifier precipitation difference                           |
| =      | separator   |
| ff.ff  | precipitation difference (related to last transmission) in mm |
| M      | unit mm   |
| ,      | separator   |

---

|          |  |
|----------|--|
| Pt       | identifier precipitation type                        |
| =        | separator  |
| gg       | precipitation code (00 no precip., 60 rain, 70 snow) |
| C        | unit: Code   |
| <CR><LF> | sentence terminator                                  |

### 19.8.6 Measurement Commands

Command Examples are shown for unit ID 01

#### 19.8.6.1 Single Measurement XDR format

Command identifier: **P9**  
 Parameter: none

Command example:

Command: \*0100P9<CR><LF>

Response (wind data not activated):

\$WIXDR,P,<pressure in bar>,B,0,C,<air temperature °C>,C,0,H,<rel. Humidity %>,P,0<CR><LF>

Response (wind data activated):

\$WIXDR,P,<pressure in bar>,B,0,C,<air temperature °C>,C,0,H,<rel. Humidity %>,P,0<CR><LF>

\$WIMWD,<wind direction °>,T, < wind direction °>,M,<wind speed kts>,N ,< wind speed m/s>,M<CR><LF>

Serial numbers of pressure and T/H sensor are not available and set to 0.

#### 19.8.6.2 Continuous Measurement XDR format

Command identifier: **PP**  
 Parameter: none

Command example:

Command \*0100PP<CR><LF>

After this command the device will start to transmit the result message as defined in for the single measurement automatically with the interval defined by the transmission interval command (see 19.8.7.1) or set by the UMB Config Tool.

The default interval is 60 seconds, minimum allowed interval is 10sec, maximum interval is 43200sec (=12h).

The continuous mode will be stored in the E2PROM of the device, so that after a reset the device will continue to transmit automatically.

The continuous mode is terminated by a Single Measurement Command (19.8.6.1, 19.8.6.3).

#### 19.8.6.3 Single Measurement 0R0 Format

Command identifier: **PB**  
 Parameter: none

Command example:

Command \*0100PB<CR><LF>

Response:

0R0,Dm=<wind dir.>D,Sm=<wind speed>M,Ta=<air temp.>C,Ua=<rel. humidity>P,Pa=<air press.>B,Rc=<precip. diff.>M, Pt=<precip. type>N<CR><LF>

#### 19.8.6.4 Continuous Measurement 0R0 Format

Command identifier:       **PC**  
Parameter:                 none

Command example:

Command \*0100PC<CR><LF>

After this command the device will start to transmit the result message as defined in for the single measurement automatically with the interval defined by the transmission interval command (see 19.8.7.1) or set by the UMB Config Tool.

The default interval is 60 seconds, minimum allowed interval is 10sec, maximum interval is 43200sec (=12h).

The continuous mode will be stored in the E2PROM of the device, so that after a reset the device will continue to transmit automatically.

The continuous mode is terminated by a Single Measurement Command (19.8.6.1, 19.8.6.3).

### 19.8.7 Configuration Commands

Command Examples are shown for unit ID 01

#### 19.8.7.1 Transmission Interval for Continuous Measurement

Command identifier: **MI**

Parameter: interval in seconds (min. 10, max. 43200, default 60)

Request command example:

Command: \*0100MI<CR><LF>

Response: \*0001MI=60<CR><LF>

The command requests the current setting of the result transmission interval

Setting command example (to be preceded by the write enable command)

Command: \*0100MI=60<CR><LF>

Response: \*0001MI=60<CR><LF>

The command sets the interval for automatic measurement result transmission (19.8.6.2) in seconds.

#### 19.8.7.2 Option Append Wind Data (MWD) to XDR Sentence

Command identifier: **GW**

Parameter: 0 = wind data off, 1 = wind data on

Request command example:

Command: \*0100GW<CR><LF>

Response: \*0001GW=0<CR><LF>

The command requests the current setting of the wind data option.

Setting command example (to be preceded by the write enable command)

Command: \*0100GW=1<CR><LF>

Response: \*0001GW=1<CR><LF>

The command sets the wind data option.

#### 19.8.7.3 Select Spot Values or Average Values of Wind Data

Command identifier: **JW**

Parameter: 0 = wind data spot values, 1 = wind data average values

Request command example:

Command: \*0100JW<CR><LF>

Response: \*0001JW=1<CR><LF>

The command requests the current setting of the wind data average setting.

Setting command example (to be preceded by the write enable command)

Command: \*0100JW=0<CR><LF>

Response: \*0001JW=0<CR><LF>

The command sets the wind data average or spot transmission.

#### 19.8.7.4 Pressure Mode Selection Command

Command identifier: **J3**

Parameter: 0 = absolute pressure, 1 = relative pressure

Selects, if the absolute or relative (sea level) air pressure is transmitted in the measurement value message (0). For correct function of the conversion to relative (sea level) pressure it is essential, that the sensor elevation has been set correctly (JS command (19.8.7.5) or UMB Config Tool)

Request command example:

Command: \*0100J3<CR><LF>

Response: \*0001J3=1<CR><>LF>

Requests the current pressure mode

Setting command example (to be preceded by the write enable command):

Command: \*0100J3=0<CR><LF>

Response: \*0100J3=0<CR><LF>

Sets the pressure mode:

0 absolute air pressure

1 relative air pressure

#### 19.8.7.5 Sensor Elevation Setting Command

Command identifier: **JS**

Parameter: sensor elevation (above sea level) in m

**Remark:** the sensor elevation may be entered as integer value or as fixed point value, the sensor will round the value for internal storage to integer (full meters).

Request command example:

Command: \*0100JS<CR><LF>

Response: \*0001JS=353<CR><LF>

Requests the current elevation setting

Setting command example (to be preceded by the write enable command):

Command: \*0100JS=82<CR><LF> or \*0100JS=82.3<CR><LF>

Response: \*0001JS=82<CR><LF>

Sets the elevation of the sensor above sea level in m (range -100m to 5000m)



### 19.8.7.6 NMEA Message Prefix Setting Command

Command identifier: **NH**  
 Parameter: complete NMEA Header ('\$' + max. 6 char)



**Note:** The parameter must always start with the '\$' character. This character is nevertheless fixed and will not be modified.

Request command example:

Command: \*0100NH<CR><LF>

Response: \*0001NH=\$WIXDR<CR><LF>

Requests the current header of the NMEA measurement value sentence

Setting command example (to be preceded by the write enable command):

Command: \*0100NH=\$WIXDR<CR><LF>

Response: \*0001NH=\$WIXDR<CR><LF>

Sets the prefix of the NMEA measurement value

### 19.8.7.7 Baud Rate Setting Command

Command identifier: **BR**  
 Parameter: Baudrate (1200, 2400, 4800, 9600, 19200, 28800, 38400, 57600)



**Note:** this command only provides the set mode and is only valid with the broadcast destination ID 99.

After execution of the command the Smart Weather Sensor will perform a reset and then start with the new baudrate.

The command does not require to be preceded by the write enable command.

Setting command example:

Command: \*9900BR=9600<CR><LF>

Response: \*9900BR=9600<CR><LF>

Sets the baud rate

### 19.8.7.8 Unit ID Setting Command

Command identifier: **ID**  
 Parameter: none



**Note:** This command does not accept a separate parameter, but uses the source ID of the address fields as input. The ID of the device is set to (source ID + 1). Source ID values 0 ... 97 are allowed.

The command only provides the set mode and is only valid with the broadcast destination ID 99.

After execution of the command the Smart Weather Sensor will perform a reset and then start with the new unit ID.

The command does not require to be preceded by the write enable command.

Setting command example:

Command: \*9900ID<CR><LF>

Response: \*9901ID<CR><LF>

Sets the unit ID to source ID + 1

### 19.8.7.9 Write Enable Command

Command identifier: **EW**

Parameter: none

This command is intended to protect the device from accidental setting modifications and must precede most of the setting commands.

The command is not available as request command and does not generate a response.

This command is valid with and without termination characters.

Command example:

\*0100EW

or

\*0100EW<CR><LF>

## 20 List of Figures

|  |     |
|--|-----|
| Figure 1: Sensor Technology.....                           | 12  |
| Figure 2: Fastening to the Mast .....                      | 21  |
| Figure 3: North Markings .....                             | 22  |
| Figure 4: Alignment to North.....                          | 22  |
| Figure 5: Installation Sketch .....                        | 24  |
| Figure 6: Connections .....                                | 25  |
| Figure 7: Connection to ISOCON-UMB .....                   | 27  |
| Figure 8: Sensor Selection .....                           | 29  |
| Figure 9: General Settings.....                            | 30  |
| Figure 10: Temperature, Humidity and Fan Settings.....     | 30  |
| Figure 11: Pressure Settings .....                         | 31  |
| Figure 12: Wind Settings .....                             | 31  |
| Figure 13: Precipitation Sensor Settings (Radar) .....     | 32  |
| Figure 14: Precipitation Sensor Settings (Rain Gauge)..... | 32  |
| Figure 15: Energy Management Settings.....                 | 33  |
| Figure 16: Reset Precipitation Quantity .....              | 34  |
| Figure 17 Measurement Polling Channels .....               | 35  |
| Figure 18 Example of Measurement Polling .....             | 35  |
| Figure 19: Operating Modes for Equipment Heating .....     | 38  |
| Figure 20: WS601-UMB with removed funnel .....             | 41  |
| Figure 21: WS200-UMB .....                                 | 47  |
| Figure 22: WS300-UMB .....                                 | 47  |
| Figure 23: WS301-UMB .....                                 | 48  |
| Figure 24: WS310-UMB .....                                 | 49  |
| Figure 25: WS400-UMB .....                                 | 50  |
| Figure 26: WS401-UMB .....                                 | 51  |
| Figure 27: WS500-UMB .....                                 | 52  |
| Figure 28: WS501-UMB .....                                 | 53  |
| Figure 29: WS510-UMB .....                                 | 54  |
| Figure 30: WS600-UMB .....                                 | 55  |
| Figure 31: WS601-UMB .....                                 | 56  |
| Figure 32: WS700-UMB .....                                 | 57  |
| Figure 33: Connection of the Leaf Wetness Sensor .....     | 61  |
| Figure 34: Setting the Leaf Wetness Threshold .....        | 62  |
| Figure 35: Setting type of external sensor.....            | 63  |
| Figure 36: Example WS501-UMB and WTB100 .....              | 64  |
| Figure 37: Sensor Configuration SDI-12 .....               | 77  |
| Figure 38: Sensor Configuration SDI-12 Units .....         | 77  |
| Figure 39: Sensor Configuration XDR.....                   | 127 |

## 21 Index

|  |                        |
|--|------------------------|
| <b>A</b>                                   |                        |
| Accessories .....                          | 9                      |
| Accuracy .....                             | 44                     |
| Air Density .....                          | 11, 15                 |
| Air Pressure .....                         | 10, 14                 |
| Air Temperature .....                      | 10                     |
| Altitude .....                             | 31                     |
| ASCII-Protokoll.....                       | 71                     |
| <b>B</b>                                   |                        |
| Binary Protocol.....                       | 68                     |
| <b>C</b>                                   |                        |
| Certificate of Conformity .....            | 58                     |
| Channel List .....                         | 65                     |
| Channel List per TLS2002 .....             | 67                     |
| Class ID .....                             | 68, 69                 |
| Commissioning.....                         | 28                     |
| Communication .....                        | 74                     |
| Communication .....                        | 71                     |
| Communication .....                        | 118                    |
| Communication .....                        | 127                    |
| Compass .....                              | 11, 17, 31             |
| Configuration.....                         | 29                     |
| Connections .....                          | 25                     |
| <b>D</b>                                   |                        |
| Data Request .....                         | 68                     |
| Declination .....                          | 31                     |
| Delivery Status .....                      | 29                     |
| Designated Use.....                        | 5                      |
| Device ID.....                             | 68, 69                 |
| Dimensions .....                           | 42                     |
| Disposal .....                             | 60                     |
| Distance between objects.....              | 23                     |
| Drawings .....                             | 47                     |
| <b>E</b>                                   |                        |
| Energy Management .....                    | 33                     |
| Enthalpy .....                             | 11, 15                 |
| Error Codes.....                           | 70, 73                 |
| External Rain Gauge .....                  | 11, 63                 |
| External Sensors .....                     | 25                     |
| External Temperature Sensor.....           | 11, 63                 |
| <b>F</b>                                   |                        |
| Factory Settings .....                     | 29                     |
| Fan.....                                   | 30                     |
| Fault Description .....                    | 59                     |
| Firmware Update.....                       | 40                     |
| <b>G</b>                                   |                        |
| Global Radiation.....                      | 11, 19                 |
| Guarantee .....                            | 5, 60                  |
| <b>H</b>                                   |                        |
| Heating.....                               | 11, 19, 25, 27, 38, 42 |
| Humidity .....                             | 10, 14                 |
| <b>I</b>                                   |                        |
| Incorrect Use .....                        | 5                      |
| Installation .....                         | 21                     |
| Installation Location .....                | 23                     |
| Interface .....                            | 26, 43                 |
| ISOCON-UMB .....                           | 27                     |
| <b>L</b>                                   |                        |
| Leaf Wetness .....                         | 11                     |
| Local Altitude.....                        | 31                     |
| <b>M</b>                                   |                        |
| Maintenance.....                           | 40                     |
| Measurement Output .....                   | 14                     |
| Measurement Polling (UMB-Config-Tool)..... | 35                     |
| Measurement Values .....                   | 13                     |
| Measuring Range .....                      | 44                     |
| Modbus .....                               | 118                    |
| <b>N</b>                                   |                        |
| North Alignment.....                       | 22                     |
| <b>O</b>                                   |                        |
| Operating Conditions .....                 | 43                     |
| Operating Modes .....                      | 36                     |
| Order Numbers.....                         | 7                      |
| <b>P</b>                                   |                        |
| Power Saving Mode.....                     | 36, 70                 |
| Power Supply Unit .....                    | 25                     |
| Precipitation.....                         | 11, 18                 |
| Protection type.....                       | 43                     |
| <b>R</b>                                   |                        |
| Relative Air Pressure .....                | 31                     |
| Reset Precipitation Quantity .....         | 34                     |
| <b>S</b>                                   |                        |
| Safety Instructions .....                  | 5                      |
| Scope of Delivery .....                    | 6                      |
| SDI-12 Mode .....                          | 77                     |
| Sensor Technology.....                     | 12                     |
| Storage Conditions .....                   | 43                     |
| Supply Voltage .....                       | 25                     |
| Symbols Used .....                         | 5                      |
| <b>T</b>                                   |                        |
| Technical Data.....                        | 42                     |
| Technical Support.....                     | 60                     |
| Temperature .....                          | 14                     |
| Terminal-Mode .....                        | 74                     |
| Test .....                                 | 29                     |
| <b>U</b>                                   |                        |
| UMB-Config-Tool.....                       | 29, 35                 |
| <b>W</b>                                   |                        |
| Weight .....                               | 43                     |
| Wet Bulb Temperature.....                  | 15                     |
| WetBulb Temperature.....                   | 11                     |
| Wind .....                                 | 11, 16                 |
| <b>X</b>                                   |                        |
| XDR Protocol.....                          | 127                    |

Blank page for printing purposes.

Blank page for printing purposes.

Blank page for printing purposes.

G. LUFFT Mess- und  
Regeltechnik GmbH

**Lufft Germany:**

**Fellbach Office:**

Postal Address:

Gutenbergstrasse 20

D-70736 Fellbach

Address:

P.O. Box 4252

D-70719 Fellbach

Tel.: +49 (0)711 51822-0

Fax: +49 (0)711 51822-41

[www.lufft.com](http://www.lufft.com)

[info@lufft.de](mailto:info@lufft.de)

**Berlin Office:**

Oderstr. 59

D-14513 Teltow

Tel.: +49 (0)711 51822-831

Fax: +49 (0)711 51822-944

# InstruFiber

INSTRUMENTAÇÃO E FIBRA ÓPTICA

*a passion for precision · passion pour la précision · pasión por la precisión · passione per la precisione*

**Lufft North America:**

**Lufft USA, Inc.**

820 E Mason St #A

Santa Barbara, CA 93103

Tel.: +01 919 556 0818

Fax: +01 805 845 4275

E-Mail: [sales@lufftusainc.com](mailto:sales@lufftusainc.com)

[www.lufft.com](http://www.lufft.com)

**Lufft China:**

**Shanghai Office:**

Lufft (Shanghai)

Measurement & Control

Technology Co., Ltd.

Room 507 & 509, Building No.3,

Shanghai Yinshi Science and

Business Park,

No. 2568 Gudai Road,

Minhang District,

201199 Shanghai, CHINA

Tel: +86 21 5437 0890

Fax: +86 21 5437 0910

E-Mail: [china@lufft.com](mailto:china@lufft.com)

[www.lufft.cn](http://www.lufft.cn)

**Beijing Office:**

B501 Jiatai International Mansion

No. 41 East 4th Ring Road,

Chaoyang District,

100025 Beijing, CHINA

Tel: +86 10 65202779

Fax: +86 10 65202789

E-Mail: [china@lufft.com](mailto:china@lufft.com)

